



# SCPH-9000 SERIES

## SERVICE MANUAL

3rd Edition

*Japan Model*  
SCPH-9000

*US/Canada Model*  
SCPH-9001

*Australia Model*  
SCPH-9002A

*UK Model*  
SCPH-9002B

*AEP Model*  
SCPH-9002C

*Asia Model*  
SCPH-9003



Reproduction Prohibited

**Registered No.**  
Sony Computer Entertainment Europe



**Notice**

Manual copyright 1999 by Sony Computer Entertainment Inc. All rights. Reproduction without the expressed written permission of Sony Computer Entertainment Inc. is strictly prohibited. Commercial use or rental prohibited.

**Revisions**

Design and specifications are subject to change with out notice. SCEI. Customer Service Dept. Service web site PS SERVICE PLAZA ([http:// svc. scei. co. jp](http://svc.scei.co.jp)) should be used together with this manual.

**Attention**

Ordering replacement components. SCEI. Customer Service Dept. Parts-Group is received PlayStation-repair parts order. When you want to get them. Please accesses to this E-mail address. ([sec\\_parts@hq.scei.sony.co.jp](mailto:sec_parts@hq.scei.sony.co.jp))

**TABLE OF CONTENTS**

<b>1. SPECIFICATIONS</b> .....	2
<b>2. EXPLODED VIEW</b> .....	3
<b>3. ADJUSTMENT</b>	
3-1.Adjustment and Check Specification .....	4
<b>4. NOTICE</b> .....	4
<b>5. BLOCK DIAGRAMS</b> .....	5
<b>6. PRINTED WIRING BOARDS AND SCHEMATIC DIAGRAMS</b>	
• Printed Wiring Board [PU-23 Board (-11/-21/-31/-41/-51)] .....	8
• Schematic Diagram [PU-23 Board (1/4) (-11/-21/-31/-41/-51)] .....	9
• Schematic Diagram [PU-23 Board (2/4) (-11/-21/-31/-41/-51)] ...	10
• Schematic Diagram [PU-23 Board (3/4) (-11/-21/-31/-41/-51)] ...	11
• Schematic Diagram [PU-23 Board (4/4) (-11/-21/-31/-41/-51)] ...	12
• Power Block (1-468-366-11) .....	14
• Power Block (1-468-365-11) .....	15
• Power Block (1-468-303-13) .....	16
• Power Block (1-468-243-11) .....	17
<b>7. ELECTRICAL PARTS LIST</b>	
• PU-23 Board .....	18
• Power Block .....	23

## SECTION 1 SPECIFICATIONS

### SCPH-9000

#### General

Power requirements  
100 V AC, 50/60 Hz  
Power consumption  
9 W  
Dimensions  
270 × 60 × 188 mm (w/h/d)  
Mass  
1.2 kg

#### Laser diode properties

- Material : GaAlAs
- Wavelength :  $\lambda = 780$  nm
- Emission duration : Continuous
- Laser output : Less than  $44.6 \mu\text{W}$   
(measured at a distance of  
200 mm from the lens surface  
on the optical pick-up block)

#### Inputs/ Outputs on the front

Controller ports (2)  
Memory card slots (2)

#### Inputs/Outputs on the rear

Serial I/O port (1)

#### Outputs on the rear

AV Multi out port

#### Supplied accessories

AC power cord (1)  
A/V connecting cable (1)  
Analog controller (1)  
Instruction manual (1)

### SCPH-9002/A/B/C

#### General

Power requirements  
220-240 V AC, 50 Hz  
Power consumption  
10 W  
Dimensions  
270 × 60 × 188 mm (w/h/d)  
Mass  
1.2 kg

#### Laser diode properties

- Material : GaAlAs
- Wavelength :  $\lambda = 780$  nm
- Emission duration : Continuous
- Laser output : Less than  $44.6 \mu\text{W}$   
(measured at a distance of  
200 mm from the lens surface  
on the optical pick-up block)

#### Inputs/ Outputs on the front

Controller ports (2)  
Memory card slots (2)

#### Inputs/Outputs on the rear

Serial I/O port (1)

#### Outputs on the rear

AV Multi out port (1)

#### Supplied accessories

AC power cord (1)  
A/V connecting cable (1)  
(except for the SCPH-9002B)  
Analog controller (1)  
Instruction manual (1)  
RFU adaptor (1)  
(for SCPH-9002B)  
AV-connector plug (1)  
(for SCPH-9002C)

### SCPH-9001

#### General

Power requirements  
120 V AC, 60 Hz  
Power consumption  
17 W  
Dimensions  
270 × 60 × 188 mm (w/h/d)  
Mass  
1.3 kg

#### Laser diode properties

- Material : GaAlAs
- Wavelength :  $\lambda = 780$  nm
- Emission duration : Continuous
- Laser output : Less than  $44.6 \mu\text{W}$   
(measured at a distance of  
200 mm from the lens surface  
on the optical pick-up block)

#### Inputs/ Outputs on the front

Controller ports (2)  
Memory card slots (2)

#### Inputs/Outputs on the rear

Serial I/O port (1)

#### Outputs on the rear

AV Multi out port (1)

#### Supplied accessories

AC power cord (1)  
A/V connecting cable (1)  
Analog controller (1)  
Instruction manual (1)

### SCPH-9003

#### General

Power requirements  
110-240 V AC, 50/60 Hz  
Power consumption  
11 W  
Dimensions  
270 × 60 × 188 mm (w/h/d)  
Mass  
1.2 kg

#### Laser diode properties

- Material : GaAlAs
- Wavelength :  $\lambda = 780$  nm
- Emission duration : Continuous
- Laser output : Less than  $44.6 \mu\text{W}$   
(measured at a distance of  
200 mm from the lens surface  
on the optical pick-up block)

#### Inputs/ Outputs on the front

Controller ports (2)  
Memory card slots (2)

#### Inputs/Outputs on the rear

Serial I/O port (1)

#### Outputs on the rear

AV Multi out port (1)

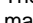

#### Supplied accessories

AC power cord (1)  
A/V connecting cable (1)  
Analog controller (1)  
Adapter Conversion 2P (1)  
Instruction manual (1)

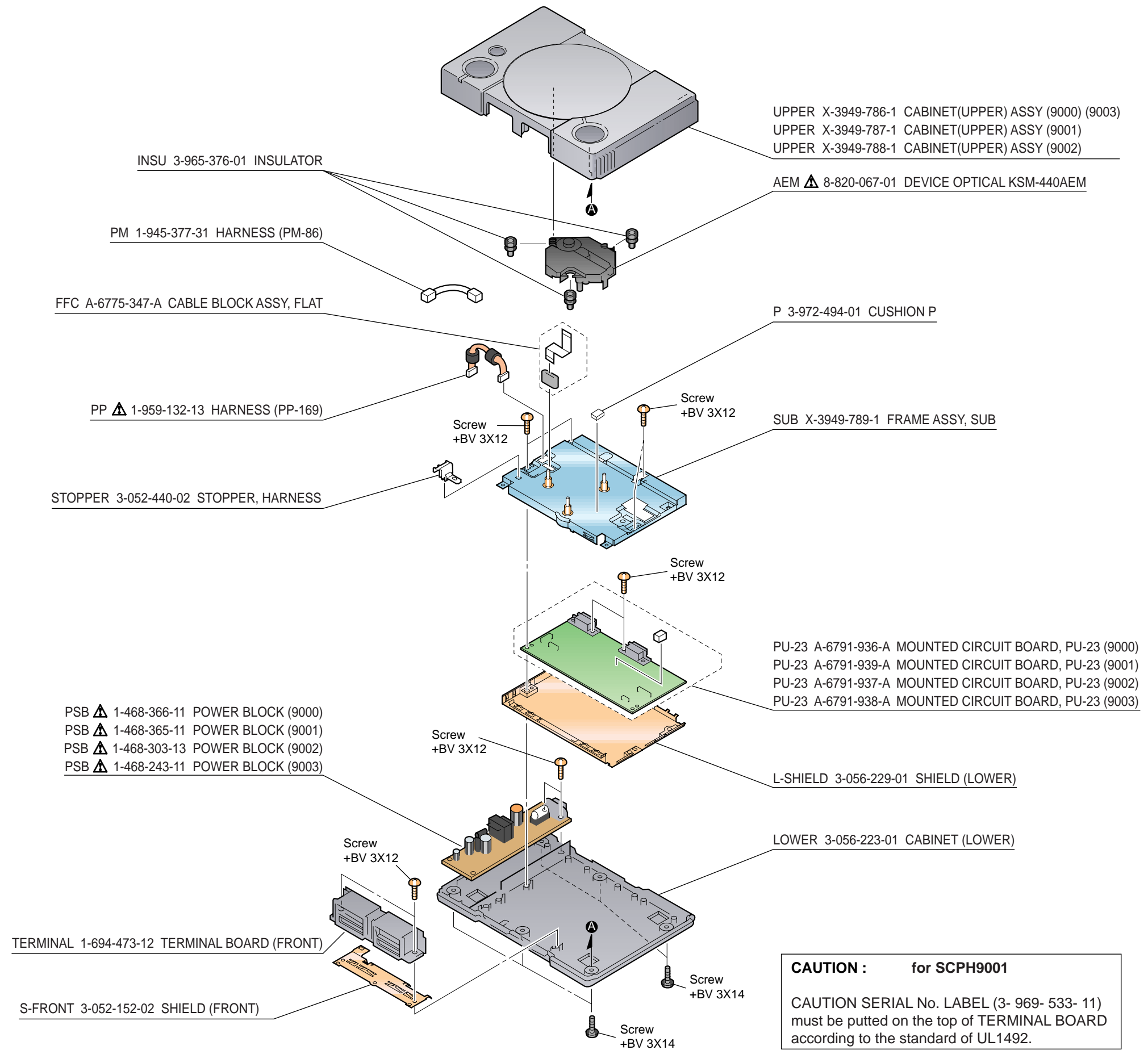
Design and specifications are subject to change without notice.

## SECTION 2 EXPLODED VIEW

### CAUTION

The components identified by mark  or dotted line with mark  are critical for safety. Replace only with part number specified.

**CAUTION :**  
Use of controls or adjustments or performance of procedures other than those specified herein may result in hazardous radiation exposure.



**CAUTION :** for SCPH9001

CAUTION SERIAL No. LABEL (3- 969- 533- 11) must be putted on the top of TERMINAL BOARD according to the standard of UL1492.

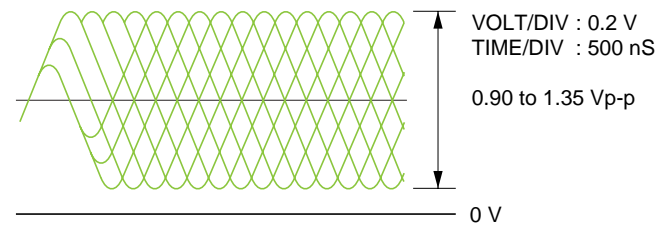
## SECTION 3 ADJUSTMENT

## SECTION 4 NOTICE

### 3-1. Test Specification

RF Level 0.90 to 1.35 Vp-p (Test point : Between CL704 and CL710)

• RF signal waveform (Eye pattern)



Use SCD-2700 DISC when measured RF level.

Use an oscilloscope with input impedance over 10 MΩ

RF Jitter Less 9.0 nS (Measuring with KSM- 6135S JITTER METER.)  
Less 27.0 nS (Measuring with KSM- 6235S JITTER METER.)

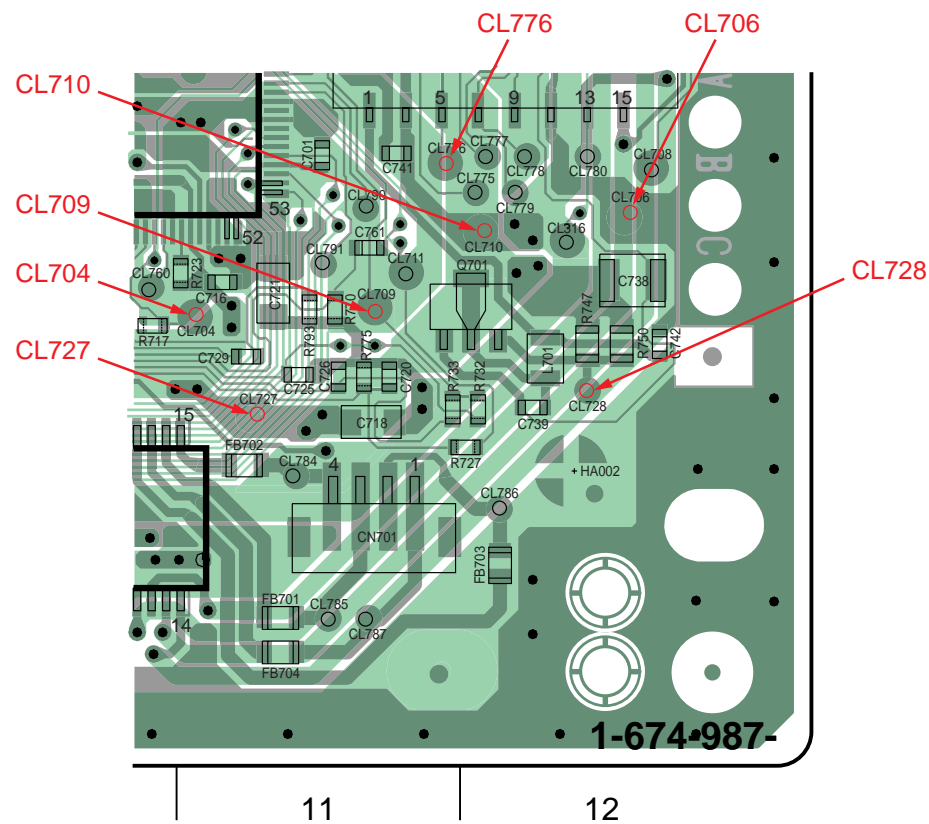
PP Level 1.1 ±0.6 Vp-p (Test point : Between CL776 and CL710)  
Use LPF (fc = 10 kHz)

Tracking Level 1.3 ±0.6 Vp-p (Test point : Between CL709 and CL710 )

Caution Vc Line (CL710) do not wire to other lines together.

Caution. Vc Line (CL710) do not make common use with GND line.

Test Point for PU-23 Board.



### Circuit Notes :

— : B+ Line.

Voltages are measured with a Digital Multimeter. (Input impedance over 10 MΩ.)  
Waveforms easured with an Oscilloscope DC coupled.

Semiconductors.

In each case. u : μ, for example ; uA : μA, uPA : μPA, uPB : μPA, uPC : μPA.

### Unit Descriptions :

Capacitors.

Unit of Capacitor is μF and pF, for example ; uF : μF, pF : μμF.

Resisters.

Unit of Resistor is Ω.

Inductance.

Unit of Inductance is μH and mH

### Parts List Notes:

Due to standardization, Parts may be different from the parts described in the diagrams or used on the Set.

### Attention :

#### Dielectric voltage withstand test and Insulation resistance test.

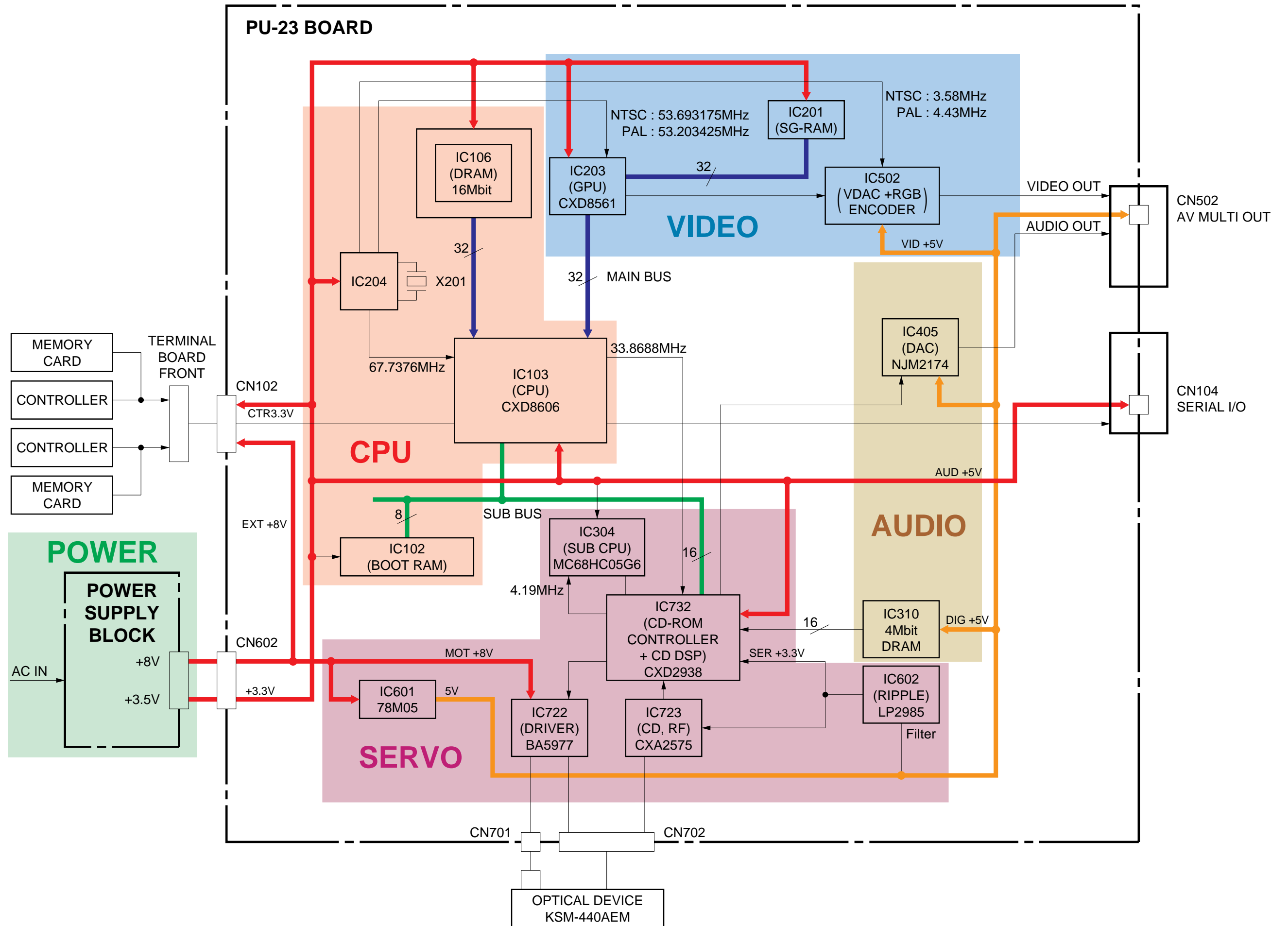
After repair complete. Dielectric voltage withstand test and Insulation resistance test to be conducted according to the regulation of IEC-65 EN60065 or UL1492 or 電気用品取締法.

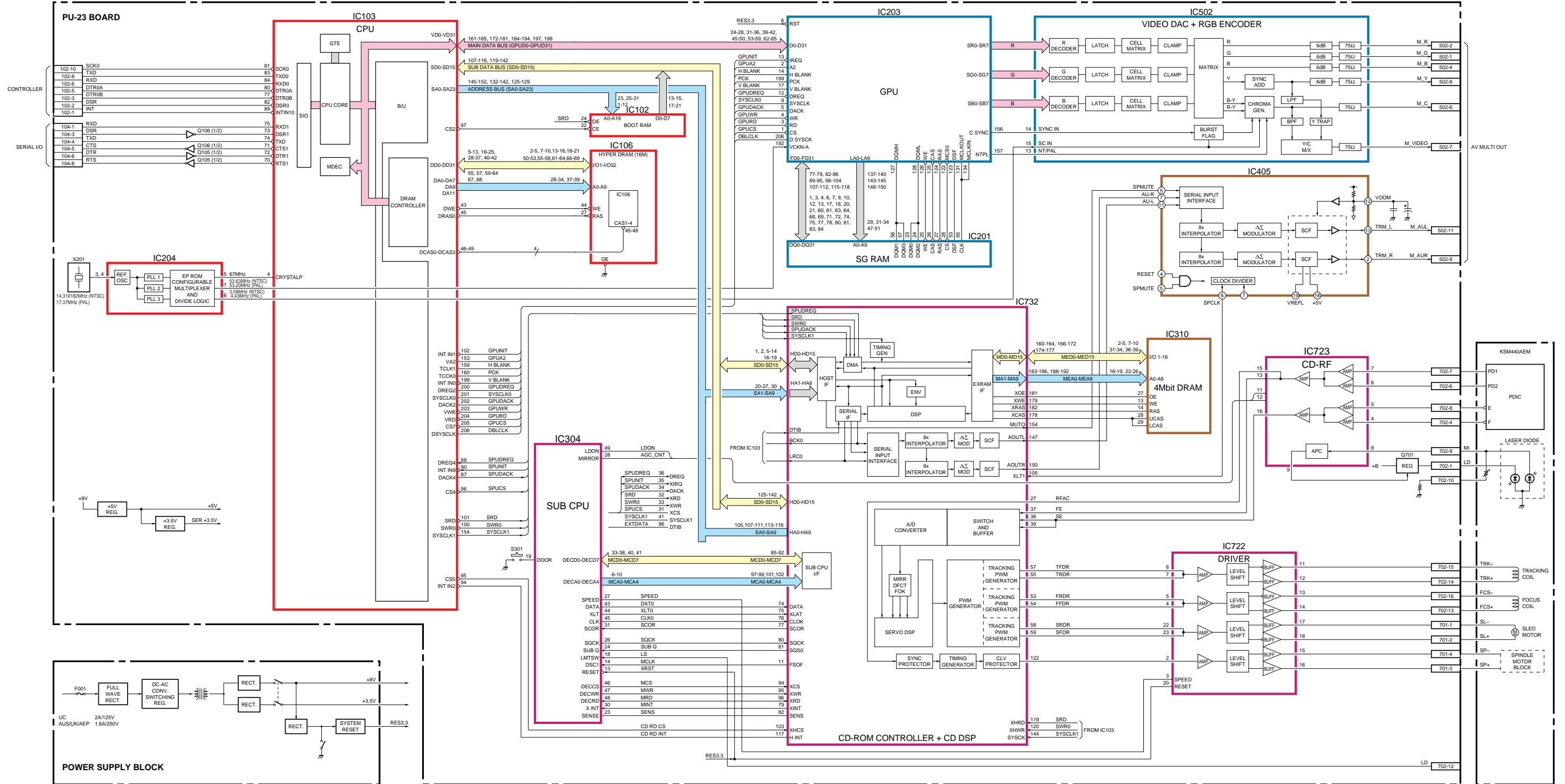
#### About replacement of Optical Device.

Before exchanging the Optical Device, Check the RF level, Jitter, Eye pattern, Focus gain and Tracking error. When Optical Device is meet the specification, Playback the PS1 testing disc “QA-DISC” or “AGING DISC” for checking the double speed and sled mechanism ability.

Optical Device should have to no exchange when spacification and ability are satisfied.

# SECTION 5 BLOCK DIAGRAMS






## SECTION 6

### PRINTED WIRING BOARDS AND SCHEMATIC DIAGRAMS

#### THIS NOTE IS COMMON FOR PRINTED WIRING BOARDS AND SCHEMATIC DIAGRAMS.



##### Note on Printed Wiring Boards :

- Through hole is omitted.
-  : Pattern on the side which is seen.


##### Note on Schematic Diagram :

- Use caution when replacing chip parts.  
New parts must be attached after removal of chip.  
Be careful not to heat the minus side of tantalum capacitor, because it is damaged by the heat.
- All capacitors are in  $\mu\text{F}$  unless otherwise noted. pF :  $\mu\mu\text{F}$  50 WV or less are not indicated except for electrolytics and tantalums.
- All resistors are in  $\Omega$  and 1/4 W (Chip resistors : 1/10w) unless otherwise specified.
- Chip resistors are 1/8 W or 1/10 W unless otherwise noted.  
k  $\Omega$  : 1000 $\Omega$ , M  $\Omega$  : 1000 k $\Omega$ .

##### Note :

The components identified by mark  or dotted line with mark  are critical for safety. Replace only with part number specified.

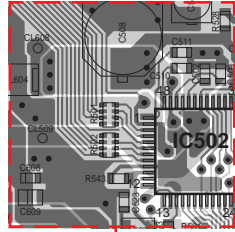
##### Note :

Les composants identifiés par une marque  sont critiques pour la sécurité. Ne les remplacer que par une pièce portant le numéro spécifié.

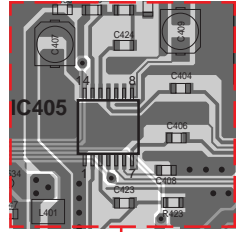


Reproduction Prohibited

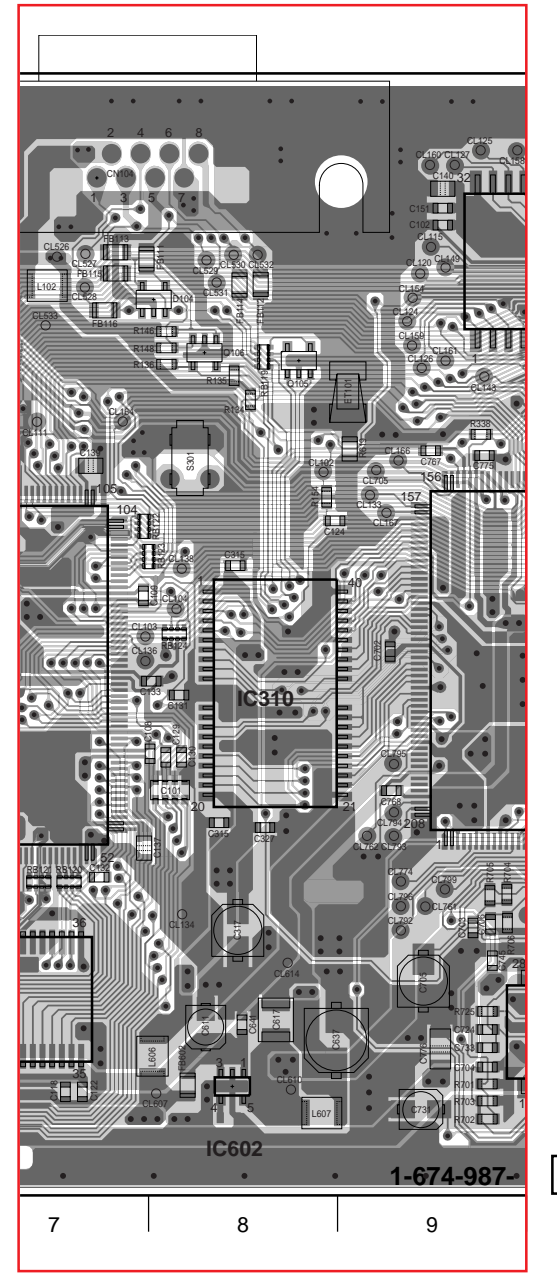
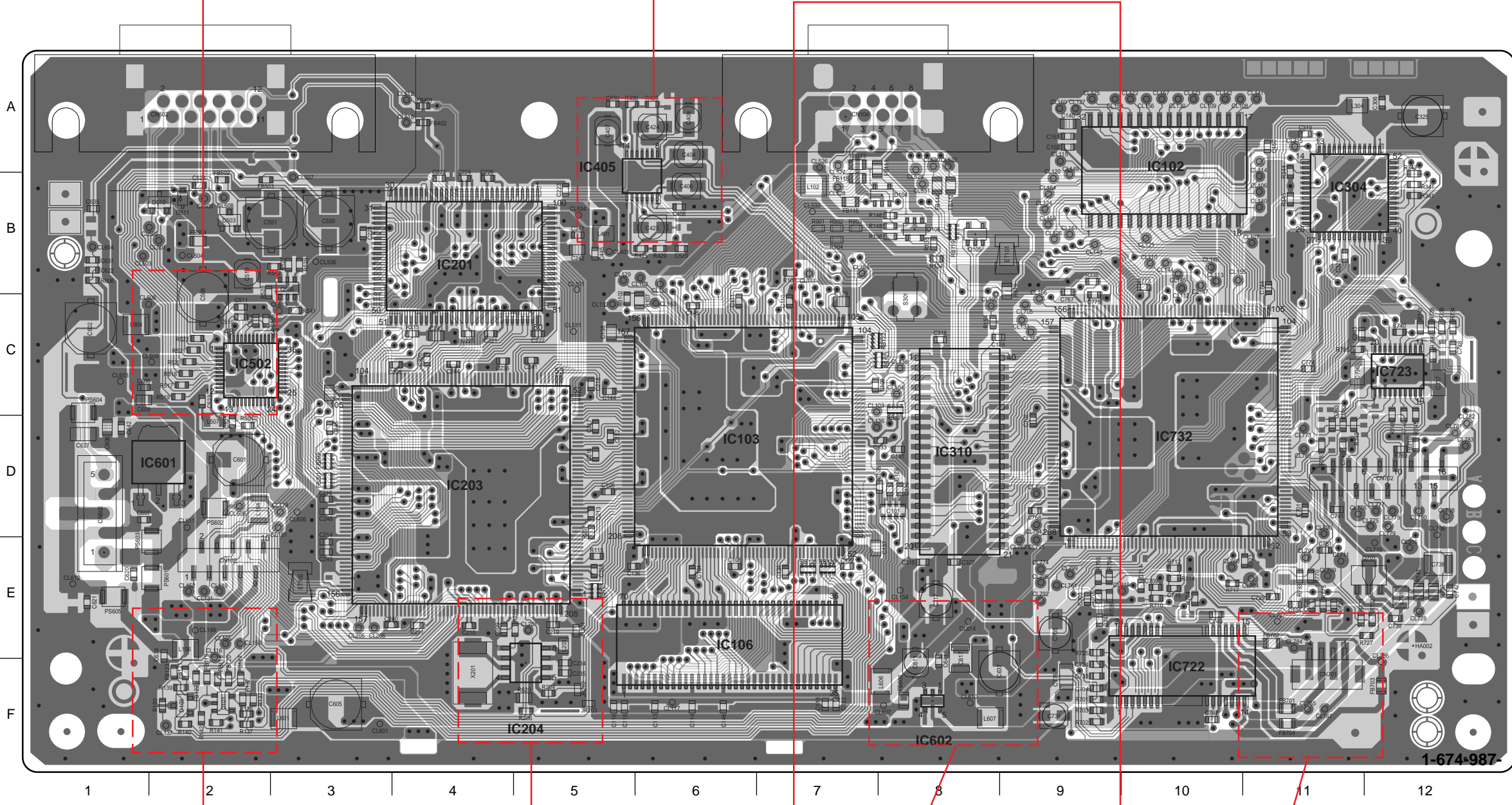
# PU-23 BOARD (-11/-21/-31/-41/-51)



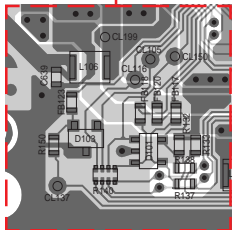
Suffix of -51



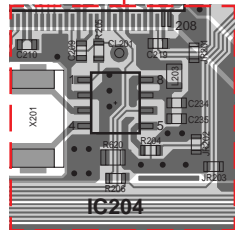
Suffix of -51



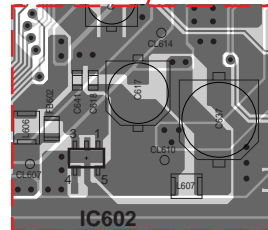
Note : PU-23 board number suffix of -41 is described partially.



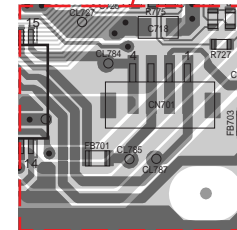
Suffix of -51



Suffix of -51



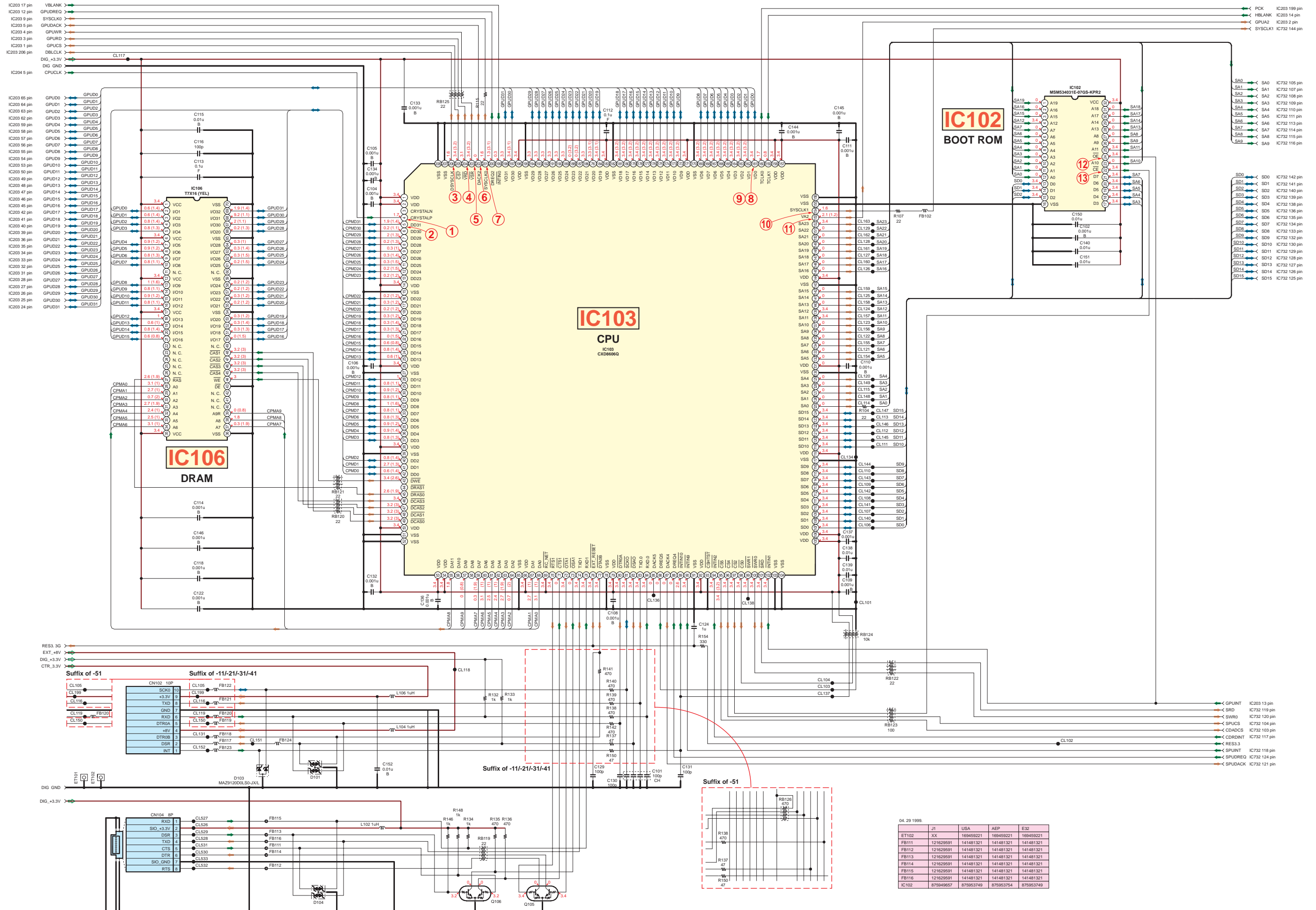
Suffix of -51



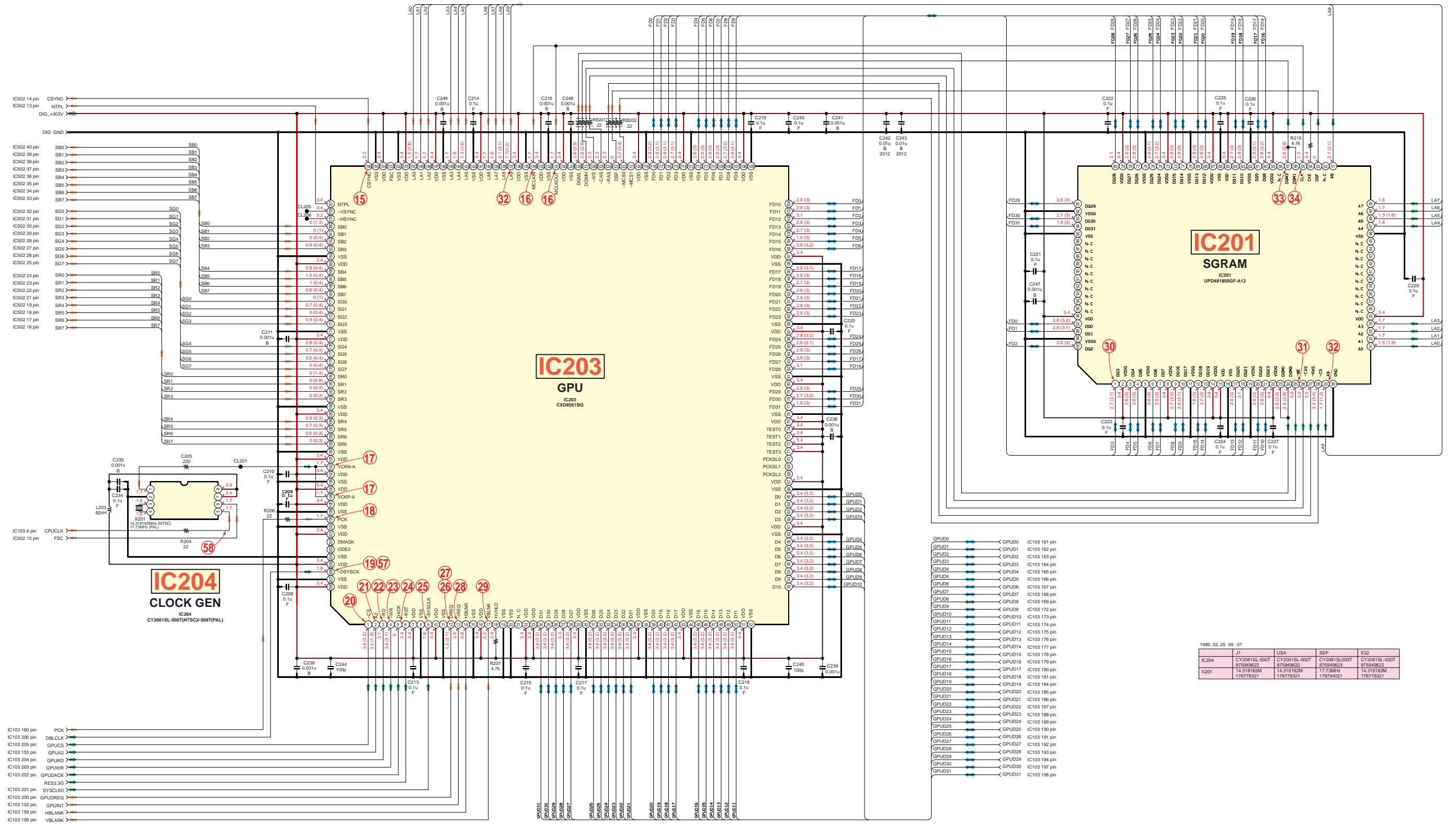
Suffix of -51

Reproduction Prohibited

PU-23 (1/4)



PU-23 (2/4)

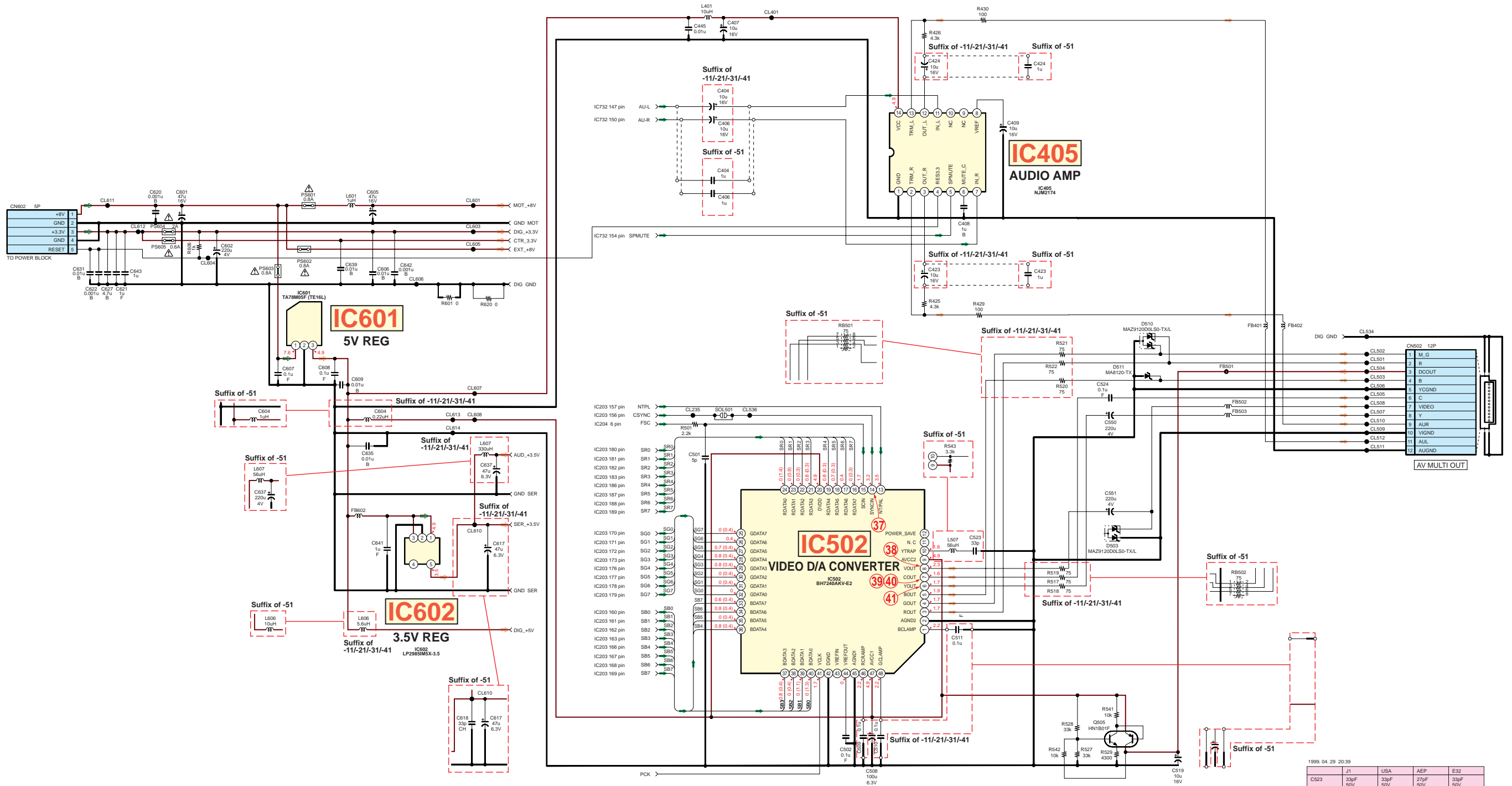


1999.02.25 09:07

IC204	J1	USA	SEP	E32
	CY2081SL-500T	CY2081SL-500T	CY2081SL500T	CY2081SL-500T
	870494822	870494822	870494823	870494822
X201	14.318182M	14.318182M	17.73MHz	14.318182M
	176778321	176778321	176784021	176778321

Reproduction Prohibited

PU-23 (3/4)

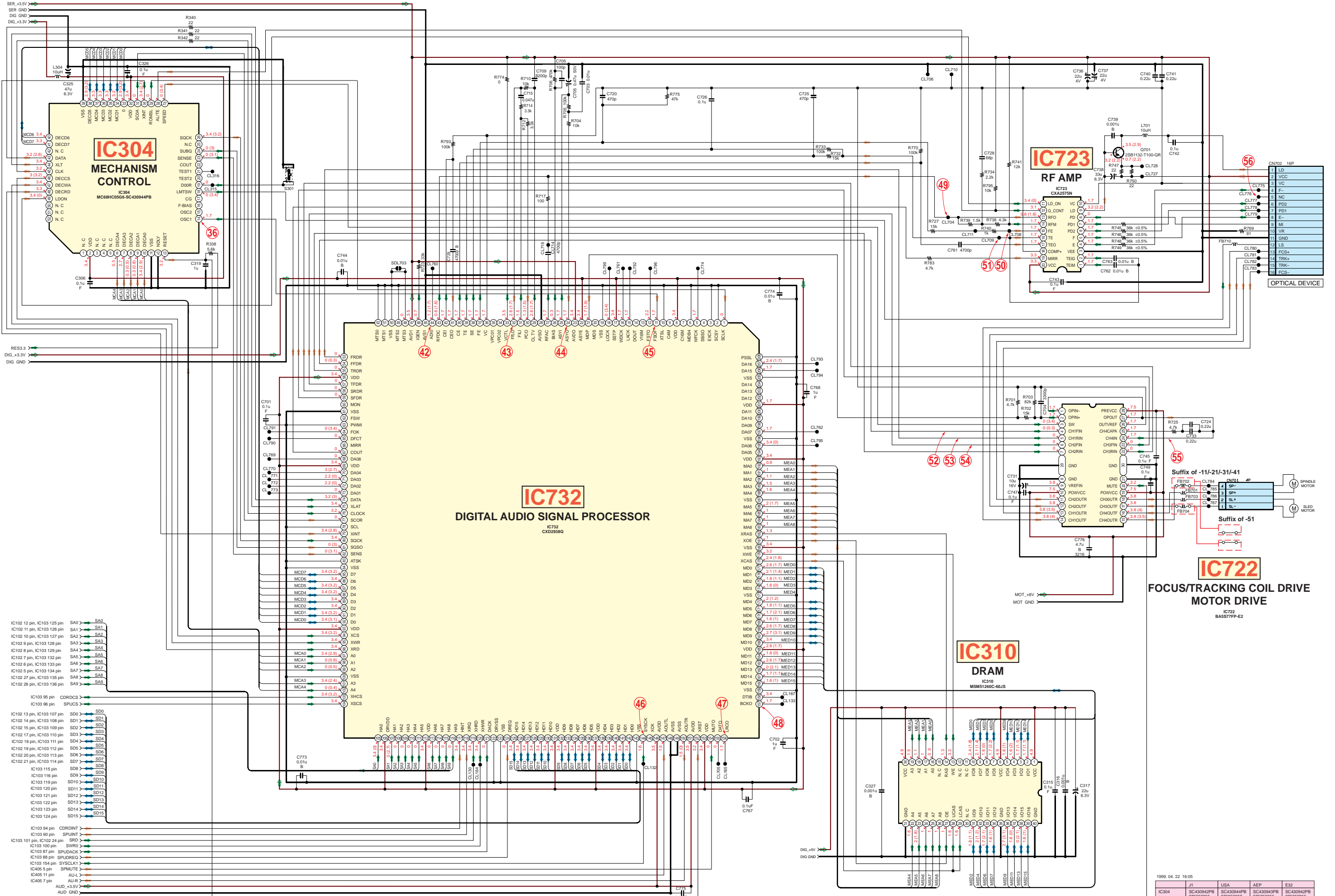


1999.04.29 20:39

	J1	USA	AEP	E32
C523	33pF 50V CH	33pF 50V CH	27pF 50V CH	33pF 50V CH
FB501	150005622	150026821	150026821	150026821
L507	56uH ±5%	56uH ±5%	47uH ±5%	56uH ±5%
R901	0			
R902	0			
R903			0	
R904				0
R543	3.3k	3.3k	3.3k	3.3k

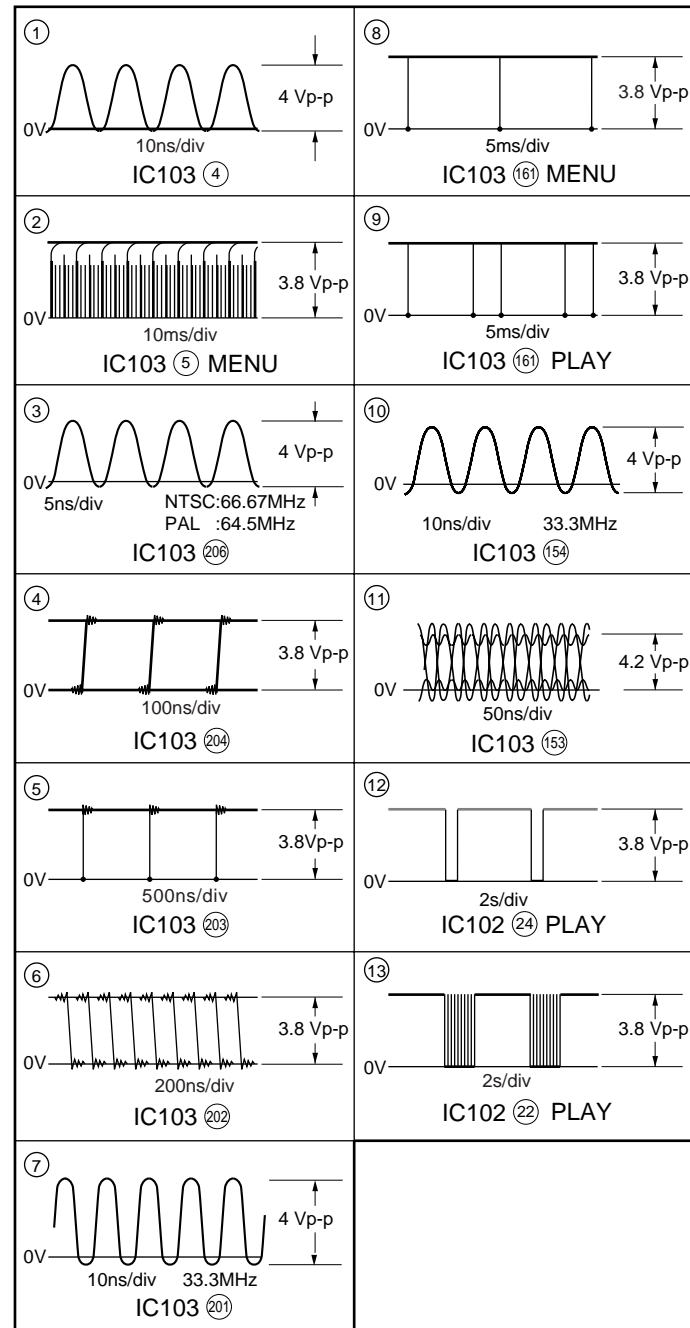
Reproduction Prohibited

PU-23 (4/4)

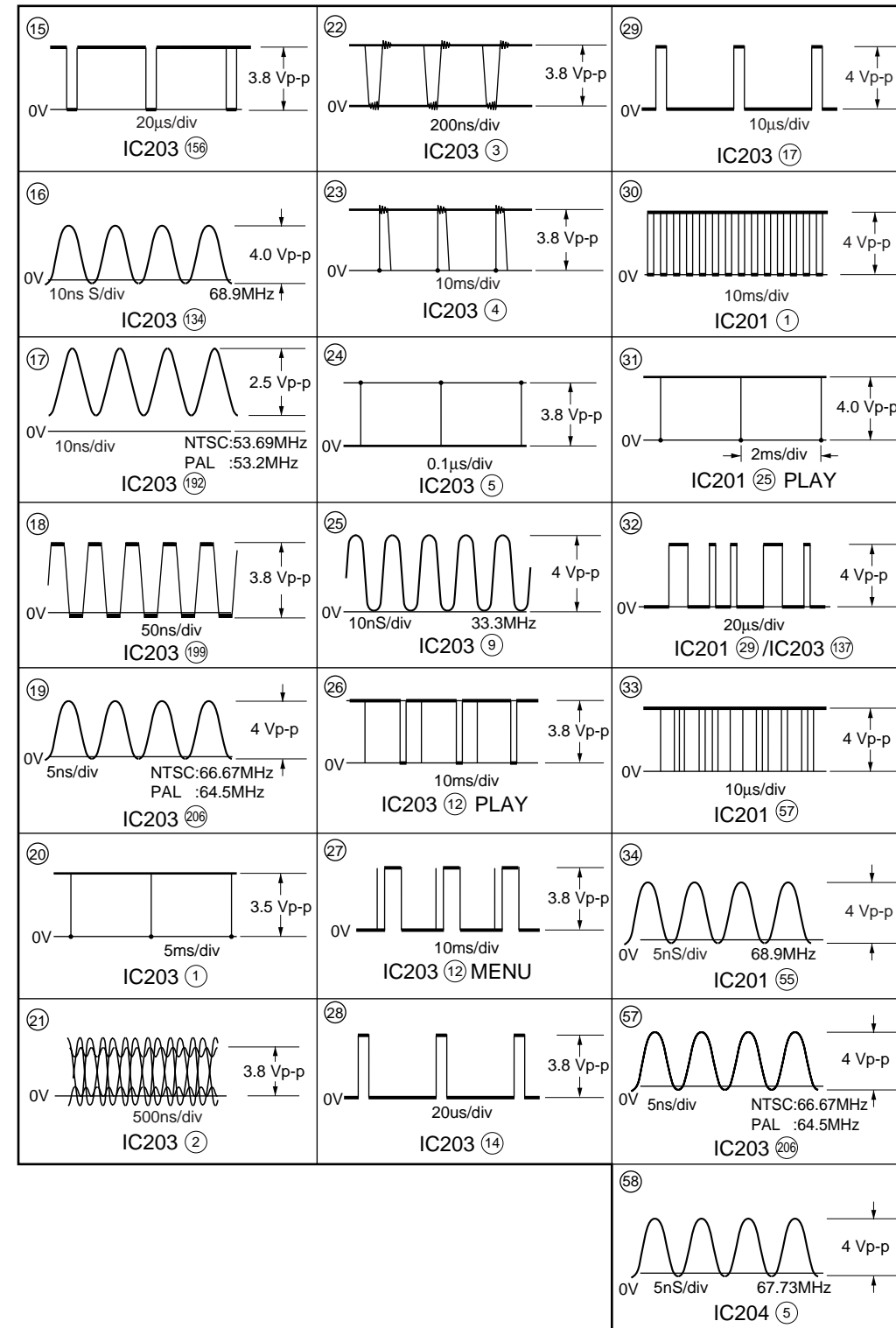


IC304	J1	USA	AEP	E32
SC430942PB	SC430944PB	SC430943PB	SC430942PB	SC430942PB
87659825	87659827	87659856	87659856	87659855

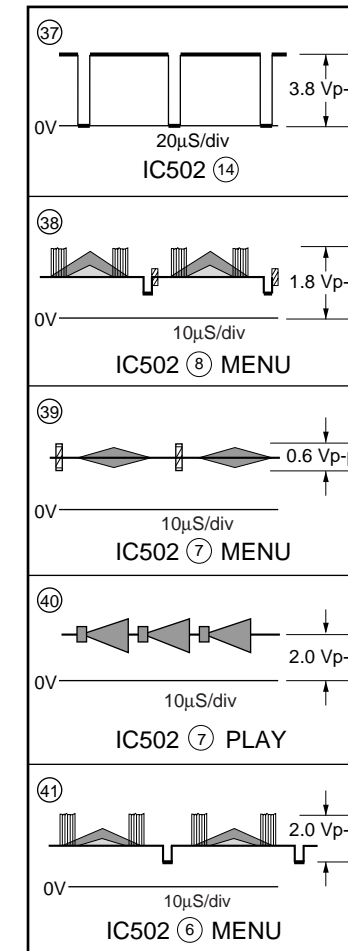
PU-23 BOARD (1/4)



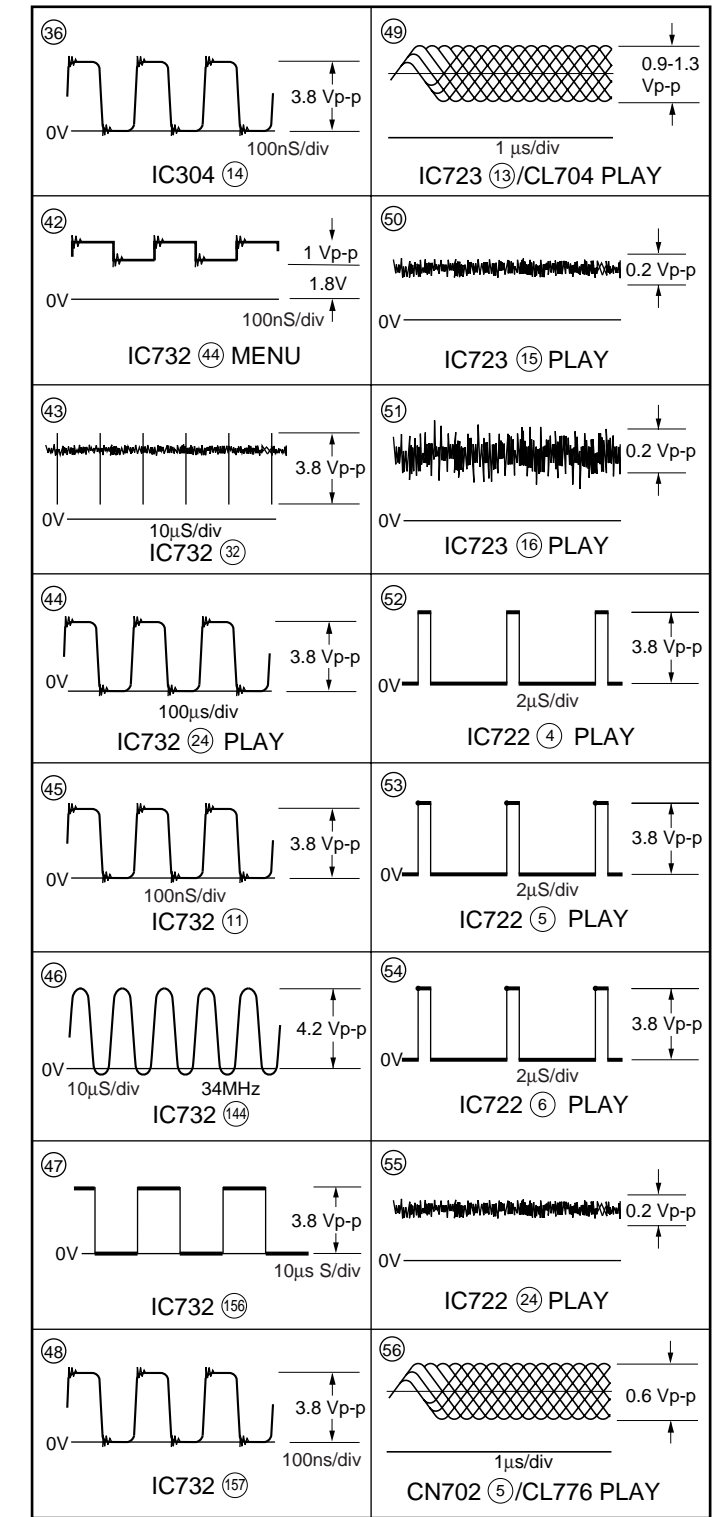
PU-23 BOARD (2/4)



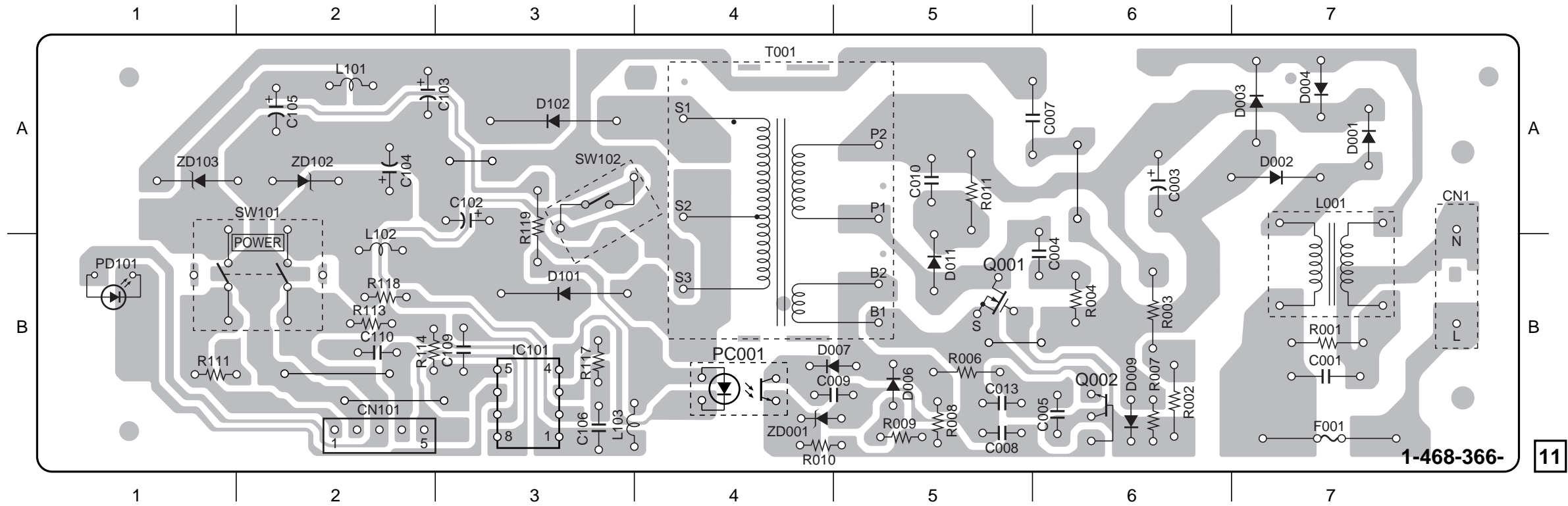
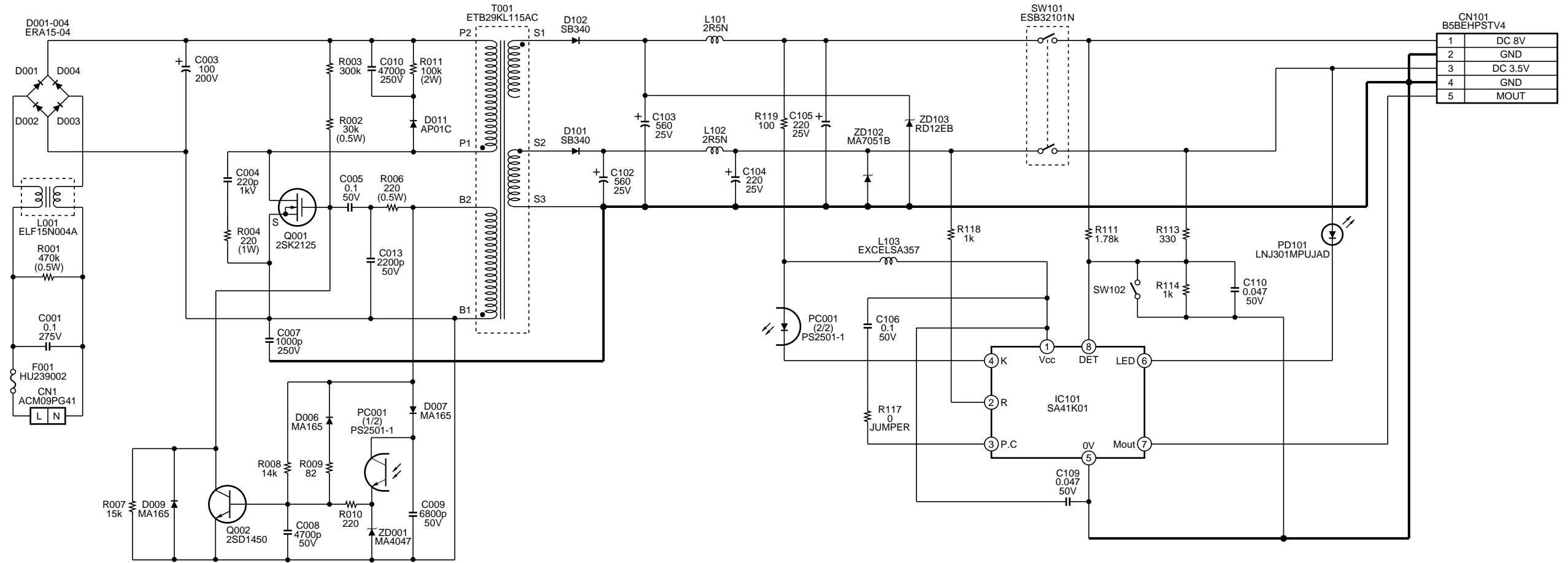
PU-23 BOARD (3/4)



PU-23 BOARD (4/4)

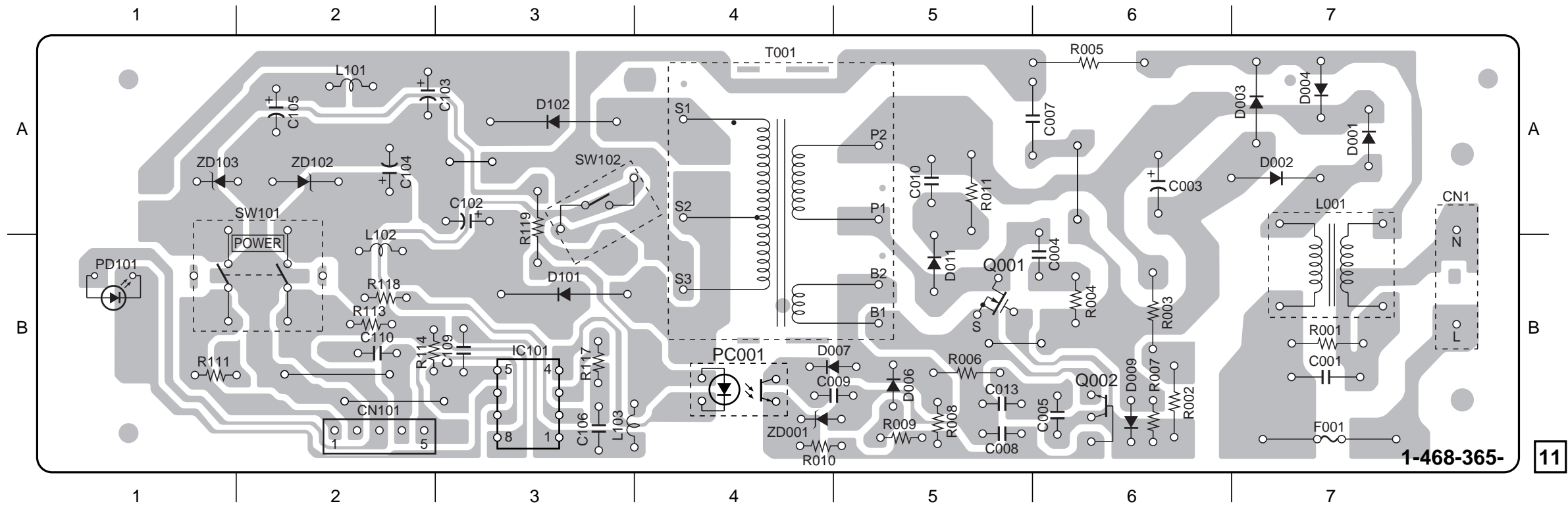
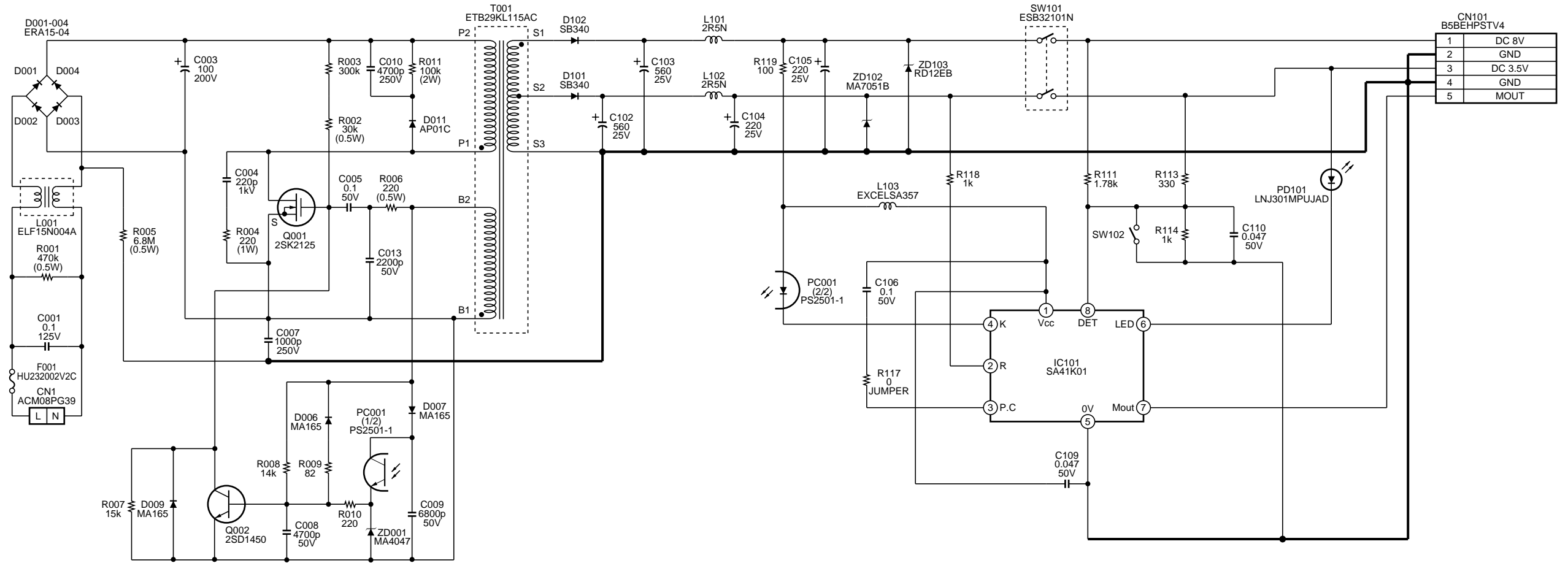


POWER BLOCK (1-468-366-11)



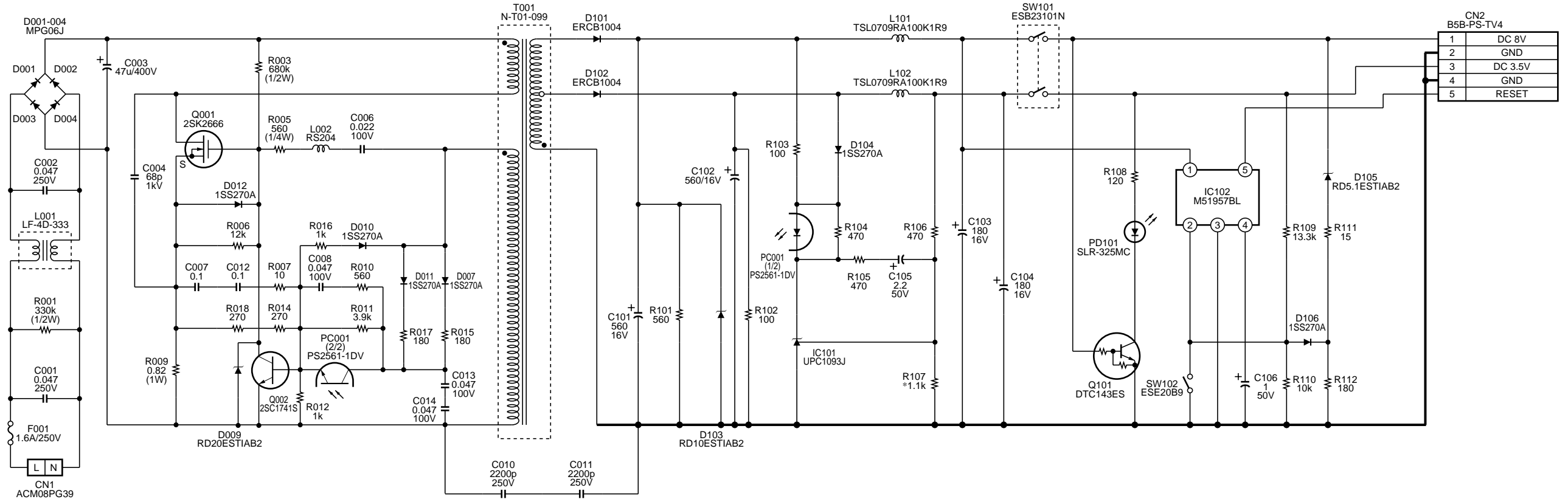
Reproduction Prohibited

POWER BLOCK (1-468-365-11)

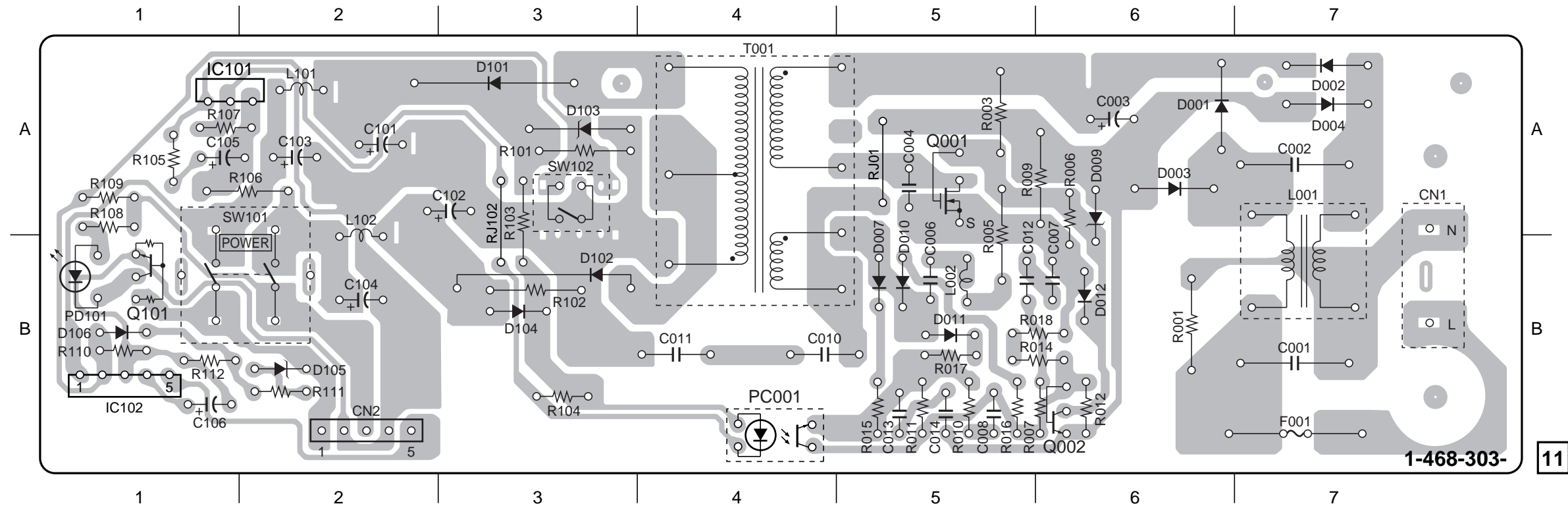




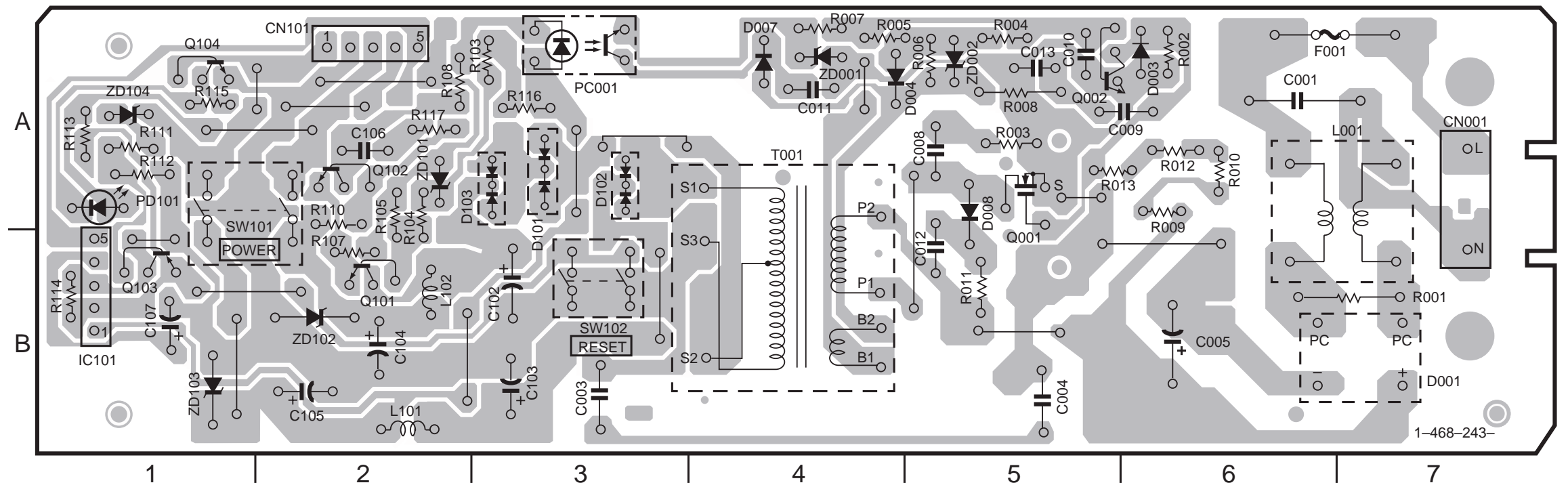
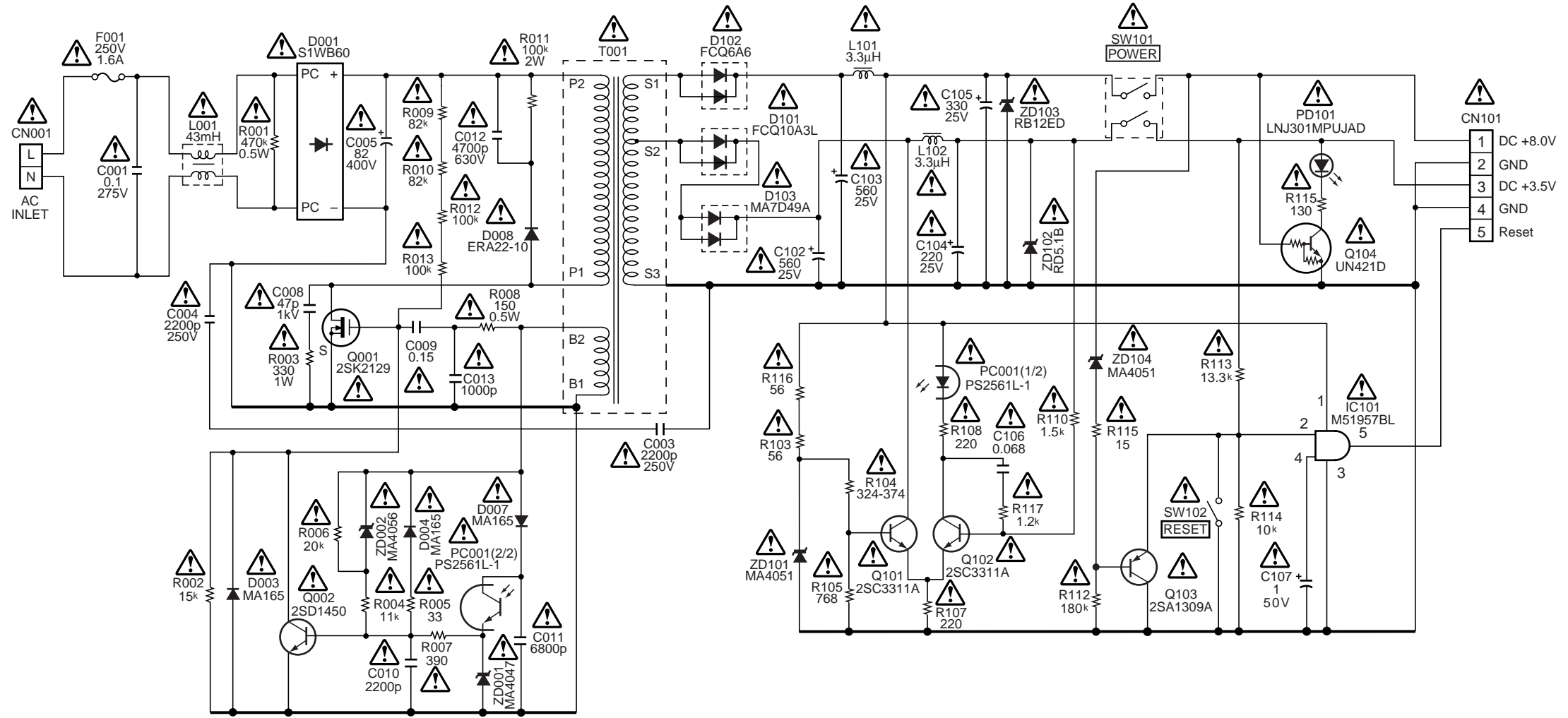
POWER BLOCK (1-468-303-11)



CN2 B5B-PS-TV4	
1	DC 8V
2	GND
3	DC 3.5V
4	GND
5	RESET



# POWER BLOCK (1-468-243-11)



Reproduction Prohibited

# SECTION 7 ELECTRICAL PARTS LIST

**NOTE :**

- Due to standardization, replacements in the parts list may be different from the parts specified in the diagrams or the components used on the set.
- -XX and -X mean standardized parts, so they may have some difference from the original one.
- RESISTORS  
METAL : Metal-film resistor.  
F : nonflammable  
Unit is Ω.

- SEMICONDUCTORS  
In each case, u : μ, for example :  
uA . . : μA . . uPA . . : μPA . .  
uPB . . : μPB . . uPC . . : μPC . . uPD . . : μPD . .
- CAPACITORS  
uF : μF
- COILS  
uH : μH

When indicating parts by reference number, please include the board.

The components identified by mark  $\Delta$  or dotted line with mark.  $\Delta$  are critical for safety. Replace only with part number specified.

**Parts classification**

Parts are classified by stock availability in the SC section of the parts lists

- S : Stocked Normally stocked items.
- O : Ordered Not stocked but available if requested.
- U : Unsupply Component not available.

SC	Ref.	Part No.	Description	Remark
-----				
CONSOLE ASSEMBLE PARTS LIST				
-----				
S	$\Delta$	PSB	1-468-366-11	POWER BLOCK (9000)
S	$\Delta$	PSB	1-468-365-11	POWER BLOCK (9001)
S	$\Delta$	PSB	1-468-303-13	POWER BLOCK (9002)
S	$\Delta$	PSB	1-468-243-11	POWER BLOCK (9003)
O		TERMINAL	1-694-473-12	TERMINAL BOARD (FRONT)
O		PM	1-954-377-31	HARNESS (PM-86)
O	$\Delta$	PP	1-959-132-13	HARNESS (PP-169)
O		S-FRONT	3-052-152-02	SHIELD, FRONT
O		STOPPER	3-052-440-02	STOPPER, HARNESS
O		LOWER	3-056-223-01	CABINET (LOWER) (9000/9002/9003)
O		LOWER	3-056-223-11	CABINET (LOWER) (9001)
O		SHIELD	3-052-471-01	PAPER SHIELD
O		L-SHIELD	3-056-229-01	SHIELD (LOWER)
S		INSU	3-965-376-01	INSULATOR
O		LAVEL	3-969-533-11	LAVEL CAUTION SERIAL(NO.) (9001)
S		S-COVER	3-973-812-01	COVER, PUSH SWITCH
O		BV12	7-685-648-79	SCREW +BVTP 3X12 TYPE2
O		BV14	7-685-649-79	SCREW +BVTP 3X14 TYPE2 IT-3
S	$\Delta$	AEM	8-820-067-01	DEVICE, OPTICAL KSM-440AEM
O		FFC	A-6775-347-A	CABLE BLOCK ASSY, FLAT
O		PU23	A-6791-936-A	MOUNTED CIRCUIT BOARD, PU-23 (9000)
O		PU23	A-6791-939-A	MOUNTED CIRCUIT BOARD, PU-23 (9001)
O		PU23	A-6791-937-A	MOUNTED CIRCUIT BOARD, PU-23 (9002)
O		PU23	A-6791-938-A	MOUNTED CIRCUIT BOARD, PU-23 (9003)
O		UPPER	X-3949-786-1	CABINET (UPPER) ASSY (9000/9003)
O		UPPER	X-3949-787-1	CABINET (UPPER) ASSY (9001)
O		UPPER	X-3949-788-1	CABINET (UPPER) ASSY (9002)
O		SUB	X-3949-789-1	FRAME ASSY, SUB

SC	Ref.	Part No.	Description	Remark
-----				
PU-23 BOARD				
-----				
O	PU23	A-6791-936-A	MOUNTED CIRCUIT BOARD, PU-23	(9000)
O	PU23	A-6791-939-A	MOUNTED CIRCUIT BOARD, PU-23	(9001)
O	PU23	A-6791-937-A	MOUNTED CIRCUIT BOARD, PU-23	(9002)
O	PU23	A-6791-938-A	MOUNTED CIRCUIT BOARD, PU-23	(9003)
*****				
<CAPACITOR>				
O	C101	1-125-764-21	CAP, CHIP CERAMIC 100PF CH	
O	C102	1-162-964-11	CAP, CHIP CERAMIC 1000PF B (1608)	
O	C104	1-162-964-11	CAP, CHIP CERAMIC 1000PF B (1608)	
O	C105	1-162-964-11	CAP, CHIP CERAMIC 1000PF B (1608)	
O	C106	1-162-964-11	CAP, CHIP CERAMIC 1000PF B (1608)	
O	C108	1-162-964-11	CAP, CHIP CERAMIC 1000PF B (1608)	
O	C109	1-162-964-11	CAP, CHIP CERAMIC 1000PF B (1608)	
O	C110	1-162-964-11	CAP, CHIP CERAMIC 1000PF B (1608)	
O	C111	1-162-964-11	CAP, CHIP CERAMIC 1000PF B (1608)	
O	C112	1-164-156-11	CAP, CHIP CERAMIC 0.1MF F (1608)	
O	C113	1-164-156-11	CAP, CHIP CERAMIC 0.1MF F (1608)	
O	C114	1-162-964-11	CAP, CHIP CERAMIC 1000PF B (1608)	
O	C115	1-162-970-11	CAP, CHIP CERAMIC 10000PF B (1608)	
O	C116	1-162-927-11	CAP, CHIP CERAMIC 100PF CH (1608)	
O	C118	1-162-964-11	CAP, CHIP CERAMIC 1000PF B (1608)	
O	C122	1-162-964-11	CAP, CHIP CERAMIC 1000PF B (1608)	
O	C124	1-115-156-11	CAP, CHIP CERAMIC 1000000PF F (1608)	
O	C129	1-162-927-11	CAP, CHIP CERAMIC 100PF CH (1608)	
O	C130	1-162-927-11	CAP, CHIP CERAMIC 100PF CH (1608)	
O	C131	1-162-927-11	CAP, CHIP CERAMIC 100PF CH (1608)	
O	C132	1-162-964-11	CAP, CHIP CERAMIC 1000PF B (1608)	
O	C133	1-162-964-11	CAP, CHIP CERAMIC 1000PF B (1608)	
O	C134	1-162-964-11	CAP, CHIP CERAMIC 1000PF B (1608)	
O	C136	1-162-964-11	CAP, CHIP CERAMIC 1000PF B (1608)	
O	C137	1-163-275-11	CAP, CHIP CERAMIC 1000PF CH (2012)	
O	C138	1-163-021-11	CAP, CHIP CERAMIC 10000PF B (2012)	
O	C139	1-163-021-11	CAP, CHIP CERAMIC 10000PF B (2012)	
O	C140	1-163-021-11	CAP, CHIP CERAMIC 10000PF B (2012)	
O	C144	1-162-964-11	CAP, CHIP CERAMIC 1000PF B (1608)	
O	C145	1-162-964-11	CAP, CHIP CERAMIC 1000PF B (1608)	
O	C146	1-162-964-11	CAP, CHIP CERAMIC 1000PF B (1608)	
O	C150	1-162-970-11	CAP, CHIP CERAMIC 10000PF B (1608)	
O	C151	1-162-970-11	CAP, CHIP CERAMIC 10000PF B (1608)	
O	C152	1-162-970-11	CAP, CHIP CERAMIC 10000PF B (1608)	
O	C208	1-164-156-11	CAP, CHIP CERAMIC 0.1MF F (1608)	
O	C209	1-164-156-11	CAP, CHIP CERAMIC 0.1MF F (1608)	
O	C210	1-164-156-11	CAP, CHIP CERAMIC 0.1MF F (1608)	
O	C211	1-162-964-11	CAP, CHIP CERAMIC 1000PF B (1608)	
O	C213	1-164-156-11	CAP, CHIP CERAMIC 0.1MF F (1608)	
O	C214	1-164-156-11	CAP, CHIP CERAMIC 0.1MF F (1608)	

The components identified by mark  $\Delta$  or dotted line with mark.  $\Delta$  are critical for safety. Replace only with part number specified.

SC	Ref.	Part No.	Description	Remark	SC	Ref.	Part No.	Description	Remark
0	C215	1-164-156-11	CAP, CHIP CERAMIC 0.1MF F (1608)		0	C508	1-126-206-11	CAP, ELECT 100MF	
0	C216	1-162-964-11	CAP, CHIP CERAMIC 1000PF B (1608)		0	C509	1-164-156-11	CAP, CHIP CERAMIC 0.1MF F (1608)	(for PU23-11/-21/-31/-41)
0	C217	1-164-156-11	CAP, CHIP CERAMIC 0.1MF F (1608)		0	C510	1-164-156-11	CAP, CHIP CERAMIC 0.1MF F (1608)	(for PU23-11/-21/-31/-41)
0	C218	1-164-156-11	CAP, CHIP CERAMIC 0.1MF F (1608)		0	C511	1-164-156-11	CAP, CHIP CERAMIC 0.1MF F (1608)	(for PU23-11/-21/-31/-41)
0	C219	1-164-156-11	CAP, CHIP CERAMIC 0.1MF F (1608)		0	C519	1-128-004-11	CAP, ELECT (CHIP) 10MF	
0	C220	1-164-156-11	CAP, CHIP CERAMIC 0.1MF F (1608)		0	C523	1-162-920-11	CAP, CHIP CERAMIC 27PF CH (1608)	(9002A)
0	C221	1-164-156-11	CAP, CHIP CERAMIC 0.1MF F (1608)		0	C523	1-162-921-11	CAP, CHIP CERAMIC 33PF CH (1608)	(9000/9001/9003)
0	C222	1-164-156-11	CAP, CHIP CERAMIC 0.1MF F (1608)		0	C523	1-162-921-11	CAP, CHIP CERAMIC 33PF CH (1608)	(9002A)
0	C223	1-164-156-11	CAP, CHIP CERAMIC 0.1MF F (1608)		0	C523	1-162-921-11	CAP, CHIP CERAMIC 33PF CH (1608)	(9000/9001/9003)
0	C224	1-164-156-11	CAP, CHIP CERAMIC 0.1MF F (1608)		0	C524	1-164-156-11	CAP, CHIP CERAMIC 0.1MF F (1608)	
0	C225	1-164-156-11	CAP, CHIP CERAMIC 0.1MF F (1608)		0	C529	1-162-927-11	CAP, CHIP CERAMIC 100PF CH (1608)	
0	C226	1-164-156-11	CAP, CHIP CERAMIC 0.1MF F (1608)		0	C530	1-162-927-11	CAP, CHIP CERAMIC 100PF CH (1608)	
0	C227	1-164-156-11	CAP, CHIP CERAMIC 0.1MF F (1608)		0	C550	1-126-210-11	CAP, ELECT 220MF	
0	C228	1-164-156-11	CAP, CHIP CERAMIC 0.1MF F (1608)		0	C551	1-126-210-11	CAP, ELECT 220MF	
0	C234	1-164-156-11	CAP, CHIP CERAMIC 0.1MF F (1608)		0	C601	1-126-204-11	CAP, ELECT 47MF	
0	C235	1-162-964-11	CAP, CHIP CERAMIC 1000PF B (1608)		0	C602	1-126-210-11	CAP, ELECT 220MF	
0	C236	1-162-964-11	CAP, CHIP CERAMIC 1000PF B (1608)		0	C605	1-126-204-11	CAP, ELECT 47MF	
0	C238	1-162-964-11	CAP, CHIP CERAMIC 1000PF B (1608)		0	C606	1-163-021-11	CAP, CHIP CERAMIC 10000PF B (2012)	
0	C239	1-163-275-11	CAP, CHIP CERAMIC 1000PF CH (2012)		0	C607	1-164-156-11	CAP, CHIP CERAMIC 0.1MF F (1608)	
0	C240	1-164-156-11	CAP, CHIP CERAMIC 0.1MF F (1608)		0	C608	1-164-156-11	CAP, CHIP CERAMIC 0.1MF F (1608)	
0	C241	1-162-964-11	CAP, CHIP CERAMIC 1000PF B (1608)		0	C609	1-163-021-11	CAP, CHIP CERAMIC 10000PF B (2012)	
0	C242	1-163-021-11	CAP, CHIP CERAMIC 10000PF B (2012)		0	C611	1-128-004-11	CAP, ELECT (CHIP) 10MF	
0	C243	1-163-021-11	CAP, CHIP CERAMIC 10000PF B (2012)		0	C617	1-110-569-11	CAP, CHIP TANTALUM ELECT 47MF	(for PU23-11/-21/-31/-41)
0	C244	1-162-927-11	CAP, CHIP CERAMIC 100PF CH (1608)		0	C617	1-216-205-11	CAP, ELECT (CHIP) 47MF	(for PU23-51)
0	C245	1-162-927-11	CAP, CHIP CERAMIC 100PF CH (1608)		0	C618	1-162-921-11	CAP, CERAMIC 33PF CH (1608)	(for PU23-51)
0	C247	1-162-964-11	CAP, CHIP CERAMIC 1000PF B (1608)		0	C620	1-162-964-11	CAP, CHIP CERAMIC 1000PF B (1608)	
0	C248	1-162-964-11	CAP, CHIP CERAMIC 1000PF B (1608)		0	C621	1-115-156-11	CAP, CHIP CERAMIC 1000000PF F (1608)	
0	C249	1-162-964-11	CAP, CHIP CERAMIC 1000PF B (1608)		0	C622	1-162-964-11	CAP, CHIP CERAMIC 1000PF B (1608)	
0	C306	1-164-156-11	CAP, CHIP CERAMIC 0.1MF F (1608)		0	C627	1-115-566-11	CAP, CHIP CERAMIC 4.7MF B	
0	C315	1-164-156-11	CAP, CHIP CERAMIC 0.1MF F (1608)		0	C631	1-162-970-11	CAP, CHIP CERAMIC 10000PF B (1608)	
0	C316	1-162-964-11	CAP, CHIP CERAMIC 1000PF B (1608)		0	C635	1-162-970-11	CAP, CHIP CERAMIC 10000PF B (1608)	
0	C317	1-124-778-11	CAP, ELECT 22MF		0	C637	1-126-205-11	CAP, ELECT 47MF	(for PU23-11/-21/-31/-41)
0	C319	1-115-156-11	CAP, CHIP CERAMIC 1000000PF F (1608)		0	C637	1-126-210-11	CAP, ELECT 220MF	(for PU23-51)
0	C325	1-126-205-11	CAP, ELECT 47MF		0	C639	1-162-970-11	CAP, CHIP CERAMIC 10000PF B (1608)	
0	C326	1-164-156-11	CAP, CHIP CERAMIC 0.1MF F (1608)		0	C641	1-115-156-11	CAP, CHIP CERAMIC 1000000PF F (1608)	
0	C327	1-162-964-11	CAP, CHIP CERAMIC 1000PF B (1608)		0	C642	1-162-964-11	CAP, CHIP CERAMIC 1000PF B (1608)	
0	C404	1-128-004-11	CAP, ELECT (CHIP) 10MF	(for PU23-11/-21/-31/-41)	0	C701	1-164-156-11	CAP, CHIP CERAMIC 0.1MF F (1608)	
0	C404	1-125-837-11	CAP, CHIP CERAMIC 1MF B	(for PU23-51)	0	C702	1-115-156-11	CAP, CHIP CERAMIC 1000000PF F (1608)	
0	C406	1-128-004-11	CAP, ELECT (CHIP) 10MF	(for PU23-11/-21/-31/-41)	0	C703	1-162-970-11	CAP, CHIP CERAMIC 10000PF B (1608)	
0	C406	1-125-837-11	CAP, CHIP CERAMIC 1MF B	(for PU23-51)	0	C704	1-162-967-11	CAP, CHIP CERAMIC 3300PF B (1608)	
0	C407	1-128-004-11	CAP, ELECT (CHIP) 10MF		0	C705	1-126-191-11	CAP, ELECT 0.47MF	
0	C408	1-125-837-11	CAP, CHIP CERAMIC 1000000 B (1608)		0	C706	1-162-927-11	CAP, CHIP CERAMIC 100PF CH (1608)	
0	C409	1-128-004-11	CAP, ELECT (CHIP) 10MF		0	C709	1-164-174-11	CAP, CHIP CERAMIC 8200PF B (1608)	
0	C423	1-128-007-11	CAP, ELECT (CHIP) 2.2MF	(for PU23-11/-21/-31/-41)	0	C714	1-162-968-11	CAP, CHIP CERAMIC 4700PF B (1608)	
0	C423	1-125-837-11	CAP, CHIP CERAMIC 1MF B	(for PU23-51)	0	C715	1-165-176-11	CAP, CHIP CERAMIC 47000PF B (1608)	
0	C424	1-128-007-11	CAP, ELECT (CHIP) 2.2MF	(for PU23-11/-21/-31/-41)	0	C720	1-162-962-11	CAP, CHIP CERAMIC 470PF B (1608)	
0	C424	1-125-837-11	CAP, CHIP CERAMIC 1MF B	(for PU23-51)	0	C724	1-115-467-11	CAP, CHIP CERAMIC 0.22MF B (1608)	
0	C445	1-162-970-11	CAP, CHIP CERAMIC 10000PF B (1608)		0	C725	1-162-962-11	CAP, CHIP CERAMIC 470PF B (1608)	
0	C501	1-162-110-11	CAP, CHIP CERAMIC 5.0PF CH (1608)		0	C726	1-107-826-11	CAP, CHIP CERAMIC 100000PF B	
0	C502	1-164-156-11	CAP, CHIP CERAMIC 0.1MF F (1608)		0	C728	1-162-925-11	CAP, CHIP CERAMIC 68PF CH (1608)	

The components identified by mark  $\Delta$  or dotted line with mark.  $\Delta$  are critical for safety. Replace only with part number specified.

SC	Ref.	Part No.	Description	Remark	SC	Ref.	Part No.	Description	Remark
0	C733	1-115-467-11	CAP, CHIP CERAMIC0.22MF B (1608)		0	FB113	1-216-295-11	FERRITE, EMI (SMD)	(for 9000)
0	C736	1-104-847-11	CAP, CHIP TANTALUM ELECT 22MF		0	FB113	1-414-813-11	FERRITE, EMI (SMD)	(for 9001/9002/9003)
0	C737	1-104-847-11	CAP, CHIP TANTALUM ELECT 22MF		0	FB114	1-216-295-11	FERRITE, EMI (SMD)	(for 9000)
0	C738	1-104-752-11	CAP, CHIP TANTALUM ELECT 33MF		0	FB114	1-414-813-11	FERRITE, EMI (SMD)	(for 9001/9002/9003)
0	C739	1-162-964-11	CAP, CHIP CERAMIC 1000PF B (1608)		0	FB115	1-216-295-11	FERRITE, EMI (SMD)	(for 9000)
0	C740	1-115-467-11	CAP, CHIP CERAMIC0.22MF B (1608)		0	FB115	1-414-813-11	FERRITE, EMI (SMD)	(for 9001/9002/9003)
0	C741	1-115-467-11	CAP, CHIP CERAMIC0.22MF B (1608)		0	FB116	1-216-295-11	FERRITE, EMI (SMD)	(for 9000)
0	C742	1-107-826-11	CAP, CHIP CERAMIC 100000PF B		0	FB116	1-414-813-11	FERRITE, EMI (SMD)	(for 9001/9002/9003)
0	C743	1-164-156-11	CAP, CHIP CERAMIC 0.1MF F (1608)		0	FB117	1-414-555-11	FERRITE, EMI (SMD)	
0	C744	1-162-970-11	CAP, CHIP CERAMIC 10000PF B (1608)		0	FB118	1-414-555-11	FERRITE, EMI (SMD)	
0	C745	1-164-156-11	CAP, CHIP CERAMIC 0.1MF F (1608)		0	FB119	1-414-555-11	FERRITE, EMI (SMD)	(for PU23-11/-21/-31/-41)
0	C747	1-164-156-11	CAP, CHIP CERAMIC 0.1MF F (1608)		0	FB120	1-414-555-11	FERRITE, EMI (SMD)	
0	C749	1-164-156-11	CAP, CHIP CERAMIC 0.1MF F (1608)		0	FB121	1-414-555-11	FERRITE, EMI (SMD)	(for PU23-11/-21/-31/-41)
0	C761	1-162-968-11	CAP, CHIP CERAMIC 4700PF B (1608)		0	FB122	1-414-555-11	FERRITE, EMI (SMD)	(for PU23-11/-21/-31/-41)
0	C762	1-162-970-11	CAP, CHIP CERAMIC 10000PF B (1608)		0	FB123	1-414-555-11	FERRITE, EMI (SMD)	
0	C763	1-162-970-11	CAP, CHIP CERAMIC 10000PF B (1608)		0	FB124	1-414-656-11	FERRITE, EMI (SMD)	
0	C767	1-164-156-11	CAP, CHIP CERAMIC 0.1MF F (1608)		0	FB401	1-500-113-11	BEAD, FERRITE (CHIP)	
0	C768	1-115-156-11	CAP, CHIP CERAMIC 1000000PF F (1608)		0	FB402	1-500-113-11	BEAD, FERRITE (CHIP)	
0	C773	1-162-970-11	CAP, CHIP CERAMIC 10000PF B (1608)		0	FB501	1-500-268-11	BEAD, FERRITE (SMD)	(for 9001/9002/9003)
0	C774	1-162-970-11	CAP, CHIP CERAMIC 10000PF B (1608)		0	FB502	1-500-113-11	BEAD, FERRITE (CHIP)	
0	C775	1-164-156-11	CAP, CHIP CERAMIC 0.1MF F (1608)		0	FB503	1-500-113-11	BEAD, FERRITE (CHIP)	
0	C776	1-115-566-11	CAP, CHIP CERAMIC 4.7MF B		0	FB602	1-469-324-11	FERRITE, EMI (SMD)	
			<CONNECTOR>		0	FB701	1-469-324-11	FERRITE, EMI (SMD)	
0	CN102	1-770-305-11	CONNECTOR, FFC/FPC 10P		0	FB702	1-469-324-11	FERRITE, EMI (SMD)	(for PU23-11/-21/-31/-41)
0	CN104	1-779-028-11	CONNECTOR, SQUARE TYPE 8P		0	FB703	1-469-324-11	FERRITE, EMI (SMD)	(for PU23-11/-21/-31/-41)
0	CN502	1-779-029-11	CONNECTOR, SQUARE TYPE 12P		0	FB704	1-469-324-11	FERRITE, EMI (SMD)	(for PU23-11/-21/-31/-41)
0	CN602	1-766-278-11	PIN, CONNECTOR (PC BOARD) 5P		0	FB710	1-414-555-11	FERRITE, EMI (SMD)	
0	CN701	1-573-290-21	PIN, CONNECTOR (1.5MM) (SMD)4P					<IC >	
0	CN702	1-779-071-21	CONNECTOR, FFC/FPC 16P		S	IC102	8-759-496-57	IC MSM534031E-07GS-KPR2	(9000)
			<DIODE>		S	IC102	8-759-537-54	IC MSM534031E-10GS-KPR2	(9002A/9002B/9002C)
0	D101	8-719-066-17	DIODE HZM6.8E-T148		S	IC102	8-759-537-49	IC KM23V4000DG-15-KF5316J	(9001/9003)
0	D103	8-719-067-59	DIODE MAZ9120D0LS0-TX/L		S	IC103	8-759-387-16	IC CXD8606Q	
0	D104	8-719-066-17	DIODE HZM6.8E-T148		S	IC106	8-759-496-87	IC T7X16(YEL)	
0	D503	8-719-067-59	DIODE MAZ9120D0LS0-TX/L		S	IC201	8-759-393-44	IC UPD481850GF-A12	
0	D510	8-719-067-59	DIODE MAZ9120D0LS0-TX/L		S	IC203	8-759-366-69	IC CXD8561Q	
0	D511	8-719-423-30	DIODE MA8120-TX		S	IC204	8-759-496-22	IC CY2081SL-500T	(9000/9001/9003)
			<ON BOARD CONTACT>		S	IC204	8-759-496-23	IC CY2081SL-509T	(9002A/9002B/9002C)
0	ET101	1-694-592-21	ON BOARD CONTACT		S	IC304	8-759-598-55	IC MC68HC05G6-SC430942PB	
0	ET102	1-694-592-21	ON BOARD CONTACT		S	IC304	8-759-598-55	IC MC68HC05G6-SC430942PB	(9000/9003)
			<FERRITE BEAD >		S	IC304	8-759-598-56	IC MC68HC05G6-SC430943PB	(9002A/9002B/9002C)
0	FB102	1-469-110-11	FERRITE, EMI (SMD)		S	IC304	8-759-598-57	IC MC68HC05G6-SC430944PB	(9001)
0	FB111	1-216-295-11	FERRITE, EMI (SMD)	(for 9000)	S	IC310	8-759-342-01	IC MB814260-70PJR	(for PU23-41)
0	FB111	1-414-813-11	FERRITE, EMI (SMD)	(for 9001/9002/9003)	S	IC310	8-759-644-81	IC NN514267 ATT-50	(for PU23-11/-21/-31/-51)
0	FB112	1-216-295-11	FERRITE, EMI (SMD)	(for 9000)	S	IC405	8-759-598-10	IC NJM2174	
0	FB112	1-414-813-11	FERRITE, EMI (SMD)	(for 9001/9002/9003)	S	IC502	8-752-086-02	IC CXA2106R-T4	
					S	IC601	8-759-284-63	IC TA78M05F(TE16L)	
					S	IC602	8-759-598-12	IC LP29851MX-3.5	
					S	IC722	8-759-496-42	IC BA5977FP-E2	
					S	IC723	8-752-087-83	IC CXA2575N-T4	
					S	IC732	8-752-395-18	IC CXD2938Q	

The components identified by mark  $\Delta$  or dotted line with mark.  $\Delta$  are critical for safety. Replace only with part number specified.

SC	Ref.	Part No.	Description	Remark	SC	Ref.	Part No.	Description	Remark
			<JAMPER >		0	R141	1-220-736-11	RES, CHIP 470 (1608)	(for PU23-11/-21/-31/-41)
0	JR201	1-216-864-11	CONDUCTOR, CHIP (1608)		0	R142	1-220-736-11	RES, CHIP 470 (1608)	(for PU23-11/-21/-31/-41)
0	JR202	1-216-864-11	CONDUCTOR, CHIP (1608)		0	R146	1-216-821-11	RES, CHIP 1.0K (1608)	
0	JR203	1-216-864-11	CONDUCTOR, CHIP (1608)		0	R148	1-216-821-11	RES, CHIP 1.0K (1608)	
			<INDUCTOR >		0	R150	1-216-805-11	RES, CHIP 47 (1608)	
0	L102	1-412-052-11	INDUCTOR (SMALL TYPE) 1UH		0	R154	1-216-815-11	RES, CHIP 330 (1608)	
0	L507	1-412-960-21	CHIP INDUCTOR 56uH (9000/9001/9003 PU23-11/-21/-31)		0	R204	1-220-732-11	RES, CHIP 22 (1608)	
0	L507	1-412-959-21	CHIP INDUCTOT 47uH (9002A/9002B/9002C PU23-11/-21/-31/-41)		0	R205	1-216-813-11	RES, CHIP 220 (1608)	
0	L104	1-412-052-11	INDUCTOR (SMALL TYPE) 1UH		0	R206	1-220-732-51	RES, CHIP 22 (1608)	
0	L106	1-412-052-11	INDUCTOR (SMALL TYPE) 1UH		0	R207	1-216-829-11	RES, CHIP 4.7K (1608)	
0	L203	1-414-482-11	INDUCTOR, CHIP 82.0NH (2012)		0	R215	1-216-829-11	RES, CHIP 4.7K (1608)	
0	L304	1-412-951-11	INDUCTOR, SMALL TYPE 10UH (2518)		0	R338	1-216-830-11	RES, CHIP 5.6K (1608)	
0	L401	1-412-951-11	INDUCTOR, SMALL TYPE 10UH (2518)		0	R340	1-220-732-51	RES, CHIP 22 (1608)	
0	L601	1-412-052-11	INDUCTOR (SMALL TYPE) 1UH		0	R341	1-220-732-51	RES, CHIP 22 (1608)	
0	L604	1-110-733-41	CHIP INDUCTOR 0.22UH (for PU23-11/-21/-31/-41)		0	R342	1-220-732-51	RES, CHIP 22 (1608)	
0	L604	1-412-052-21	INDUCTOR (SMALL TYPE) 1UH (for PU23-51)		0	R344	1-216-864-11	CONDUCTOR, CHIP (1608)	
0	L606	1-110-378-41	CHIP INDUCTOR 5.6UH (for PU23-11/-21/-31/-41)		0	R345	1-216-864-11	CONDUCTOR, CHIP (1608)	
0	L606	1-412-951-21	INDUCTOR, SMALL TYPE 10UH (2518) (for PU23-51)		0	R425	1-216-827-11	RES, CHIP 3.3K (1608)	
0	L607	1-412-067-21	INDUCTOR (SMALL TYPE) 330UH (for PU23-11/-21/-31/-41)		0	R426	1-216-827-11	RES, CHIP 3.3K (1608)	
0	L607	1-412-960-21	INDUCTOR, SMALL TYPE 56UH (2518) (for PU23-51)		0	R429	1-216-809-11	RES, CHIP 100 (1608)	
0	L701	1-412-951-11	INDUCTOR, SMALL TYPE 10UH (2518)		0	R430	1-216-809-11	RES, CHIP 100 (1608)	
			<LINK, IC >		0	R501	1-216-825-11	RES, CHIP 2.2K (1608)	
S	△ PS601	1-576-123-21	LINK, IC 0.8A		0	R517	1-218-285-01	RES, CHIP 75 (1608)	
S	△ PS602	1-576-123-21	LINK, IC 0.8A		0	R518	1-218-285-01	RES, CHIP 75 (1608)	(for PU23-11/-21/-31/-41)
S	△ PS603	1-576-123-21	LINK, IC 0.8A		0	R519	1-218-285-01	RES, CHIP 75 (1608)	(for PU23-11/-21/-31/-41)
S	△ PS604	1-576-384-21	LINK, IC 2.3A		0	R520	1-218-285-01	RES, CHIP 75 (1608)	(for PU23-11/-21/-31/-41)
S	△ PS605	1-576-259-21	LINK, IC 0.6A		0	R521	1-218-285-01	RES, CHIP 75 (1608)	(for PU23-11/-21/-31/-41)
			<TRANSISTOR >		0	R522	1-218-285-01	RES, CHIP 75 (1608)	(for PU23-11/-21/-31/-41)
0	Q105	8-729-035-63	TRANSISTOR FMG9A-T148		0	R527	1-216-839-11	RES, CHIP 33K (1608)	
0	Q106	8-729-035-63	TRANSISTOR FMG9A-T148		0	R528	1-216-839-11	RES, CHIP 33K (1608)	
0	Q505	8-729-049-77	TRANSISTOR HN1B01F		0	R529	1-220-371-11	RES, CHIP 4.3K (1608)	
0	Q701	8-729-920-79	TRANSISTOR 2SB1132-T100-QR		0	R541	1-216-833-11	RES, CHIP 10K (1608)	
			<RESISTOR >		0	R542	1-216-833-11	RES, CHIP 10K (1608)	
0	R104	1-220-732-11	RES, CHIP 22 (1608)		0	R543	1-218-859-91	RES, CHIP 3.3K (1608)	(for PU23-51)
0	R132	1-216-821-11	RES, CHIP 1.0K (1608)		0	R606	1-216-821-11	RES, CHIP 1.0K (1608)	
0	R133	1-216-821-11	RES, CHIP 1.0K (1608)		0	R619	1-216-295-11	CONDUCTOR, CHIP (2012)	
0	R134	1-216-821-11	RES, CHIP 1.0K (1608)		0	R620	1-216-295-11	CONDUCTOR, CHIP (2012)	
0	R135	1-220-736-11	RES, CHIP 470 (1608)		0	R701	1-216-829-11	RES, CHIP 4.7K (1608)	
0	R136	1-220-736-11	RES, CHIP 470 (1608)		0	R702	1-216-835-11	RES, CHIP 15K (1608)	
0	R137	1-216-805-11	RES, CHIP 47 (1608)		0	R703	1-216-841-11	RES, CHIP 47K (1608)	
0	R138	1-216-805-11	RES, CHIP 47 (1608)		0	R704	1-216-833-11	RES, CHIP 10K (1608)	
0	R139	1-220-736-11	RES, CHIP 470 (1608) (for PU23-11/-21/-31/-41)		0	R705	1-216-845-11	RES, CHIP 100K (1608)	
0	R140	1-220-736-11	RES, CHIP 470 (1608) (for PU23-11/-21/-31/-41)		0	R706	1-216-853-11	RES, CHIP 470K (1608)	
			<JAMPER >		0	R710	1-216-833-11	RES, CHIP 10K (1608)	
			<INDUCTOR >		0	R712	1-216-827-11	RES, CHIP 3.3K (1608)	
			<LINK, IC >		0	R714	1-216-827-11	RES, CHIP 3.3K (1608)	
			<TRANSISTOR >		0	R717	1-216-809-11	RES, CHIP 100 (1608)	
			<RESISTOR >		0	R723	1-216-839-11	RES, CHIP 33K (1608)	
			<JAMPER >		0	R725	1-216-829-11	RES, CHIP 4.7K (1608)	
			<INDUCTOR >		0	R727	1-216-835-11	RES, CHIP 15K (1608)	
			<LINK, IC >						

The components identified by mark △ or dotted line with mark △ are critical for safety. Replace only with part number specified.

SC	Ref.	Part No.	Description	Remark
0	R732	1-216-835-11	RES, CHIP 15K (1608)	
0	R733	1-216-845-11	RES, CHIP 100K (1608)	
0	R734	1-216-825-11	RES, CHIP 2.2K (1608)	
0	R738	1-220-371-11	RES, CHIP 4.3K (1608)	
0	R739	1-216-823-11	RES, CHIP 1.5K (1608)	
0	R740	1-216-821-11	RES, CHIP 1.0K (1608)	
0	R741	1-216-834-11	RES, CHIP 12K (1608)	
0	R745	1-218-884-01	RES, CHIP 36K (1608)	
0	R746	1-218-884-01	RES, CHIP 36K (1608)	
0	R747	1-216-009-11	RES, CHIP 22 (2012)	
0	R748	1-218-883-01	RES, CHIP 33K (1608)	
0	R749	1-218-883-01	RES, CHIP 33K (1608)	
0	R750	1-216-009-11	RES, CHIP 22 (2012)	
0	R769	1-218-286-01	RES, CHIP 91 (1608)	
0	R770	1-216-845-11	RES, CHIP 100K (1608)	
0	R774	1-216-864-11	CONDUCTOR, CHIP (1608)	
0	R775	1-216-841-11	RES, CHIP 47K (1608)	
0	R783	1-216-829-11	RES, CHIP 4.7K (1608)	
0	R793	1-216-845-11	RES, CHIP 100K (1608)	
0	R795	1-216-833-11	RES, CHIP 10K (1608)	
0	R901	1-216-864-11	CONDUCTOR, CHIP (1608)	(9000)
0	R902	1-216-864-11	CONDUCTOR, CHIP (1608)	(9001)
0	R903	1-216-864-11	CONDUCTOR, CHIP (1608)	(9002)
0	R904	1-216-864-11	CONDUCTOR, CHIP (1608)	(9003)
<RESISTOR BLOCK >				
0	RB119	1-234-030-21	NETWORK RES, 22	
0	RB120	1-234-030-21	NETWORK RES, 22	
0	RB121	1-234-030-21	NETWORK RES, 22	
0	RB122	1-234-030-21	NETWORK RES, 22	
0	RB123	1-233-955-21	NETWORK RES, 100	
0	RB124	1-233-967-21	NETWORK RES, 10K	
0	RB125	1-234-030-21	NETWORK RES, 22	
0	RB126	1-233-959-21	NETWORK RES, 470	(for PU23-51)
0	RB201	1-234-030-21	NETWORK RES, 22	
0	RB202	1-234-030-21	NETWORK RES, 22	
0	RB501	1-234-482-21	NETWORK RES, 75	(for PU23-51)
0	RB502	1-234-482-21	NETWORK RES, 75	(for PU23-51)
<SWITCH >				
S	S301	1-771-764-11	SWITCH	
<CRYSTAL>				
S	X201	1-767-783-21	VIBRATOR, CRYSTAL	(9000/9001/9003)
S	X201	1-767-940-21	VIBRATOR, CRYSTAL	(9002A/9002B/9002C)

SC	Ref.	Part No.	Description	Remark
----- ACCESSORIES & PACKING MATERIALS -----				
0	△ AC	1-769-322-11	CORD, POWER 2P	(9000)
0	△ AC	1-790-107-22	CORD, POWER	(9001)
0	△ AC	1-575-131-11	CORD, POWER	(9002C)
0	△ AC	1-751-673-21	CORD, AC POWER	(9002B)
0	△ AC	1-696-819-21	CORD, AC POWER	(9002A)
0	△ AC	1-777-806-11	CORD, POWER	(9003)
0	△ ADPTOR	1-569-008-11	ADOPTOR CONVERSION.	(9003)
S	AV	1-777-918-31	CORD, CONNECTION	(Except 9002B)
0	RFU	1-475-177-43	ADAPTOR, RF	(9002B)
0	CONV	1-573-291-11	CONNECTOR, CONVERSION	(9002C)
S	CONTROLLER	1-783-928-15	ANALOG CONTROLLER	
0	SHEET	3-961-986-01	SHEET, PROTECTION	
0	CUSHION	3-967-122-01	CUSHION	
0	CARTON	3-987-032-21	INDIVIUAL CARTON	(9000)
0	CARTON	3-987-178-61	INDIVIUAL CARTON	(9001)
0	CARTON	3-050-234-61	INDIVIUAL CARTON	(9002C)
0	CARTON	3-050-234-71	INDIVIUAL CARTON	(9002B)
0	CARTON	3-987-178-71	INDIVIUAL CARTON	(9002A)
0	CARTON	3-050-234-81	INDIVIDUAL CARTON	(9003)
0	CONSOLE	A-6788-646-A	OVERALL ASSY, MAIN	(9000)
0	CONSOLE	A-6788-647-A	OVERALL ASSY, MAIN	(9002A/9002B/9002C)
0	CONSOLE	A-6788-648-A	OVERALL ASSY, MAIN	(9001)
0	CONSOLE	A-6788-649-A	OVERALL ASSY, MAIN	(9003)

The components identified by mark △ or dotted line with mark. △ are critical for safety. Replace only with part number specified.

Reproduction Prohibited

SC	Ref.	Part No.	Description	Remark	SC	Ref.	Part No.	Description	Remark
SA	PSB	1-468-366-11	Power Block	(9000)				<FILTER>	
			<CAPACITOR>						
△	C001		FILM 0.1uF 125V		△	L001		CHOKO COIL ELF15N004A	
△	C003		ELECT 100uF 200V		△	L101		CHOKO COIL 2R5N	
△	C004		CERAMIC 120uF 200V		△	L102		CHOKO COIL 2R5N	
△	C005		FILM 0.1uF 50V		△	L103		INDUCTOR EXCELSA35T	
△	C007		CERAMIC 1000PF 250V					<TRANSISTOR>	
△	C008		FILM 4700PF 50V		△	Q001		TRANSISTOR 2SK2125	
△	C009		FILM 6800PF 50V		△	Q002		TRANSISTOR 2SD1450	
△	C010		CERAMIC 4700PF 250V					<PHOTO CUPPLER>	
△	C013		FILM 2200PF 50V		△	PC001		PHOTO CUPPLER PS2501-1	
△	C102		ELECT 560uF 25V					<TRANSFORMER POWER>	
△	C103		ELECT 560uF 25V		△	T001		TRANSFORMER ETB29KL115AC	
△	C104		ELECT 220uF 25V					<RESISTOR>	
△	C105		ELECT 220uF 25V		△	R001		CARBON 470K 1/2W	
△	C106		FILM 0.1uF 50V		△	R002		CARBON 30K 1/2W	
△	C109		FILM 0.047uF 50V		△	R003		METAL 300K 1/4W	
△	C110		FILM 0.047uF 50V		△	R004		METAL 220 1W	
			<CONNECTOR>		△	R006		CARBON 220 1/2W	
△	CN1		AC-INLET ACM08PG39		△	R007		CARBON 15K 1/4W	
△	CN101		CONNECTOR 5P B5BEHPSTV4		△	R008		METAL 13.0K-15.0K 1/4W	
			<DIODE>		△	R009		CARBON 82 1/4W	
△	D001		DIODE ERA15-04		△	R010		CARBON 220 1/4W	
△	D002		DIODE ERA15-04		△	R011		METAL 82K-120K 2W	
△	D003		DIODE ERA15-04		△	R111		METAL 1.78K 1/4W	
△	D004		DIODE ERA15-04		△	R113		CARBON 220-360 1/4W	
△	D006		DIODE MA165		△	R114		METAL 1K 1/4W	
△	D007		DIODE MA165		△	R117		JAMPER 0	
△	D009		DIODE MA165		△	R118		CARBON 1K 1/4W	
△	D011		DIODE AP01C		△	R119		CARBON 100 1/4W	
△	D101		DIODE SB340					<SWITCH>	
△	D102		DIODE SB340		△	SW101		SWITCH ESB32101N	
△	PD101		DIODE LNJ301MPUJAD		△	SW102		SWITCH ESE20B6	
△	ZD001		DIODE MA4047						
△	ZD102		DIODE MA7051B						
△	ZD103		DIODE RD12EB						
			<FUSE>						
△	F001		FUSE 2A 250V						
			<IC>						
△	IC101		IC VISA41K01						

The components identified by mark △ or dotted line with mark. △ are critical for safety. Replace only with part number specified.



SC	Ref.	Part No.	Description	Remark
SA	PSB	1-468-365-11	Power Block	(9001)
			<CAPACITOR>	
△	C001		FILM 0.1uF 275V	
△	C003		ELECT 100uF 200V	
△	C004		CERAMIC 220PF 1KV	
△	C005		FILM 0.1uF 50V	
△	C007		CERAMIC 1000PF 250V	
△	C008		FILM 4700PF 50V	
△	C009		FILM 6800PF 50V	
△	C010		CERAMIC 4700PF 250V	
△	C013		FILM 2200PF 50V	
△	C102		ELECT 560uF 25V	
△	C103		ELECT 560uF 25V	
△	C104		ELECT 220uF 25V	
△	C105		ELECT 220uF 25V	
△	C106		FILM 0.1uF 50V	
△	C109		FILM 0.047uF 50V	
△	C110		FILM 0.047uF 50V	
			<CONNECTOR>	
△	CN1		AC-INLET ACM09PG41	
△	CN101		CONNECTOR 5P B5BEHPSTV4	
			<DIODE>	
△	D001		DIODE ERA15-04	
△	D002		DIODE ERA15-04	
△	D003		DIODE ERA15-04	
△	D004		DIODE ERA15-04	
△	D006		DIODE MA165	
△	D007		DIODE MA165	
△	D009		DIODE MA165	
△	D011		DIODE AP01C	
△	D101		DIODE SB340	
△	D102		DIODE SB340	
△	PD101		DIODE LNJ301MPUJAD	
△	ZD001		DIODE MA4047	
△	ZD102		DIODE MA7051B	
△	ZD103		DIODE RD12EB	
			<FUSE>	
△	F001		FUSE 2A 250V	
			<IC>	
△	IC101		IC VISA41K01	

SC	Ref.	Part No.	Description	Remark
			<FILTER>	
△	L001		CHOKO COIL ELF15N004A	
△	L101		CHOKO COIL 2R5N	
△	L102		CHOKO COIL 2R5N	
△	L103		INDUCTOR EXCELSA35	
			<TRANSISTOR>	
△	Q001		TRANSISTOR 2SK2125	
△	Q002		TRANSISTOR 2SD1450	
			<PHOTO CUPPLER>	
△	PC001		PHOTO CUPPLER PS2501-1	
			<TRANSFORMER POWER>	
△	T001		TRANSFORMER ETB29KL115AC	
			<RESISTOR>	
△	R001		CARBON 470K 1/2W	
△	R002		CARBON 30K 1/2W	
△	R003		METAL 300K 1/4W	
△	R004		METAL 220 1W	
△	R005		CARBON 6.8M 1/2W	
△	R006		CARBON 220 1/2W	
△	R007		CARBON 15K 1/4W	
△	R008		METAL 13.0K-15.0K 1/4W	
△	R009		CARBON 82 1/4W	
△	R010		CARBON 220 1/4W	
△	R011		METAL 82K-120K 2W	
△	R111		METAL 1.78K 1/4W	
△	R113		CARBON 220-360 1/4W	
△	R114		METAL 1K 1/4W	
△	R117		JAMPER 0	
△	R118		CARBON 1K 1/4W	
△	R119		CARBON 100 1/4W	
			<SWITCH>	
△	SW101		SWITCH ESB32101N	
△	SW102		SWITCH ESE20B6	

The components identified by mark △ or dotted line with mark. △ are critical for safety. Replace only with part number specified.

Reproduction Prohibited

SC	Ref.	Part No.	Description	Remark	SC	Ref.	Part No.	Description	Remark
S△	PSB	1-468-303-31	Power Block	(9002)				<IC>	
			<CAPACITOR>		△	IC101		IC UPC1093J	
△	C001		FILM 0.047uF 250V		△	IC102		IC M51957BL	
△	C002		FILM 0.047uF 250V					<FILTER>	
△	C003		ELECT 47uF 400V		△	L001		CHOKE COIL LF-4D-333	
△	C004		CERAMIC 68PF 1KV		△	L002		CHOKE COIL RS204	
△	C006		FILM 0.022uF 100V		△	L101		CHOKE COIL TSL0709RA100K1R9	
△	C007		CERAMIC 0.1uF 50V		△	L102		CHOKE COIL TSL0709RA100K1R9	
△	C008		FILM 0.047uF 100V					<TRANSISTOR>	
△	C010		CERAMIC 2200PF 250V		△	Q001		TRANSISTOR 2SK2666	
△	C011		CERAMIC 2200PF 250V		△	Q002		TRANSISTOR 2SC1741S	
△	C012		CERAMIC 0.1uF 50V		△	Q101		TRANSISTOR DTC143ES	
△	C013		FILM 0.047uF 100V					<PHOTO CUPPLER>	
△	C014		FILM 0.047uF 100V		△	PC001		PHOTO CUPPLER PS2561-1DV	
△	C101		ELECT 560uF 16V					<TRANSFORMER POWER>	
△	C102		ELECT 560uF 16V		△	T001		TRANSFORMER N-T01-099	
△	C103		ELECT 180uF 16V					<RESISTOR>	
△	C104		ELECT 180uF 16V		△	R001		CARBON 330K 1/2W	
△	C105		ELECT 2.2uF 50V		△	R003		CARBON 680K 1/2W	
△	C106		ELECT 1uF 50V		△	R005		CARBON 560 1/4W	
			<CONNECTOR>		△	R006		CARBON 12K 1/4W	
△	CN1		AC-INLET ACM08PG39		△	R007		CARBON 10 1/4W	
△	CN2		CONNECTOR 5P B5B-PS-TV4		△	R009		METAL 0.82 1W	
			<DIODE>		△	R010		CARBON 560 1/4W	
△	D001		DIODE MPG06J		△	R011		CARBON 3.9K 1/4W	
△	D002		DIODE MPG06J		△	R012		CARBON 1K 1/4W	
△	D003		DIODE MPG06J		△	R014		CARBON 270 1/4W	
△	D004		DIODE MPG06J		△	R015		CARBON 180 1/4W	
△	D007		DIODE 1SS270A		△	R016		CARBON 1K 1/4W	
△	D009		DIODE RD20EST10AB2		△	R017		CARBON 180 1/4W	
△	D010		DIODE 1SS270A		△	R018		CARBON 270 1/4W	
△	D011		DIODE 1SS270A		△	R101		CARBON 560 1/4W	
△	D012		DIODE 1SS270A		△	R102		CARBON 100 1/4W	
△	D101		DIODE ERCB1004		△	R103		CARBON 100 1/4W	
△	D102		DIODE ERCB1004		△	R104		CARBON 470 1/4W	
△	D103		DIODE RD10EST1AB2		△	R105		CARBON 470 1/4W	
△	D104		DIODE 1SS270A		△	R106		METAL 470 1/4W	
△	D105		DIODE RD5.1EST1AB2		△	R107		METAL 953-1.13K 1/4W	
△	D106		DIODE 1SS270A		△	R108		CARBON 120 1/4W	
△	PD101		DIODE SLR-325MC		△	R109		METAL 13.3K 1/4W	
			<FUSE>						
△	F001		FUSE 1.6A 250V						

The components identified by mark △ or dotted line with mark. △ are critical for safety. Replace only with part number specified.

SC	Ref.	Part No.	Description	Remark
△	R110		METAL 10K 1/4W	
△	R111		CARBON 15 1/4W	
△	R112		CARBON 180 1/4W	
			<SWITCH>	
△	SW101		SWITCH ESB32101N	
△	SW102		SWITCH ESE20B9	

SC	Ref.	Part No.	Description	Remark
△	PSB	1-468-243-11	Power Block	(9003)
			<CAPACITOR>	
△	C001		FILM 0.1uF 257V	
△	C003		CERAMIC 2200PF 250V	
△	C004		CERAMIC 2200PF 250V	
△	C005		ELECT 82uF 400V	
△	C008		CERAMIC 47PF 1KV	
△	C009		FILM 0.15uF 50V	
△	C010		FILM 2200PF 50V	
△	C011		FILM 6800PF 50V	
△	C012		FILM 4700PF 630V	
△	C013		FILM 1000PF 50V	
△	C102		ELECT 560uF 25V	
△	C103		ELECT 560uF 25V	
△	C104		ELECT 220uF 25V	
△	C105		ELECT 330uF 25V	
△	C106		FILM 0.068uF 50V	
△	C107		ELECT 1uF 50V	
			<CONNECTOR>	
△	CN001		AC-INLET 250V 2.5A	
△	CN101		CONNECTOR EH5	
			<DIODE>	
△	D001		DIODE 600V 1A	
△	D003		DIODE 80V 0.15A	
△	D004		DIODE 80V 0.15A	
△	D007		DIODE 80V 0.15A	
△	D007		DIODE 1KV 0.5A	
△	D101		DIODE 35V 10A	
△	D102		DIODE 60V 6A	
△	D103		DIODE 45V 5A	
△	ZD001		ZENER DIODE 4.7V 0.4W	
△	ZD002		ZENER DIODE 5.6V 0.4W	
△	ZD101		ZENER DIODE 5.1V 0.4W	
△	ZD102		ZENER DIODE 5.1V 0.5W	
△	ZD103		ZENER DIODE 12V 0.5W	
△	ZD104		ZENER DIODE 5.1V 0.4W	
			<FUSE>	
△	F001		FUSE 250V 1.6A	
			<IC>	
△	IC101		IC 1.25V RESET	
			<COIL>	
△	L001		FILTER CHOKE 43mH 0.3A	
△	L101		CHOKE 3.3mH 2.5A	
△	L102		CHOKE 3.3mH 2.5A	

The components identified by mark △ or dotted line with mark. △ are critical for safety. Replace only with part number specified.

Reproduction Prohibited

SC	Ref.	Part No.	Description	Remark	SC	Ref.	Part No.	Description	Remark
			<TRANSISTOR>						
△	Q001		TRANSISTOR 50W 800V3						
△	Q002		TRANSISTOR 0.3W 25V						
△	Q101		TRANSISTOR 0.3W 50V						
△	Q102		TRANSISTOR 0.3W 50V						
△	Q103		TRANSISTOR 0.3W 50V						
△	Q104		TRANSISTOR 0.3W 50V						
			<PHOTO CUPPLER>						
△	PC001		OPTOISOLATOR PC						
			<TRANSFORMER POWER>						
△	T001		TRANSFORMER ETB28AE166**						
			<RESISTOR>						
△	R001		CARBON 470K 1/2W						
△	R002		CARBON 15K 1/4W						
△	R003		METAL OXIDE 300 1W						
△	R004		METAL 11K 1/4W						
△	R005		CARBON 33 1/4W						
△	R006		METAL 20K 1/4W						
△	R007		CARBON 390 1/4W						
△	R008		CARBON 150 1/2W						
△	R009		CARBON 82K 1/4W						
△	R010		CARBON 82K 1/4W						
△	R011		METAL OXIDE 100K 2W						
△	R012		CARBON 100K 1/4W						
△	R013		CARBON 100K 1/4W						
△	R103		CARBON 56 1/4W						
△	R104		METAL 324-374 1/4W						
△	R105		METAL 768 1/4W						
△	R107		CARBON 220 1/4W						
△	R108		CARBON 220 1/4W						
△	R110		CARBON 1.5K 1/4W						
△	R111		CARBON 15 1/4W						
△	R112		CARBON 180K 1/4W						
△	R113		METAL 13.3K 1/4W						
△	R114		METAL 10K 1/4W						
△	R115		CARBON 130 1/4W						
△	R116		CARBON 56 1/4W						
△	R117		CARBON 1.2K 1/4W						
			<SWITCH>						
△	SW101		SWITCH ESB32101M						
△	SW102		SWITCH ESE20B6						

The components identified by mark △ or dotted line with mark. △ are critical for safety. Replace only with part number specified.