

SONY



COMPUTER
ENTERTAINMENT

SCPH-7500 SERIES

SERVICE MANUAL

Japan Model

SCPH-7500

US/Canada Model

SCPH-7501

Australia Model

SCPH-7502A

UK Model

SCPH-7502B

AEP Model

SCPH-7502C

Asian Model

SCPH-7503

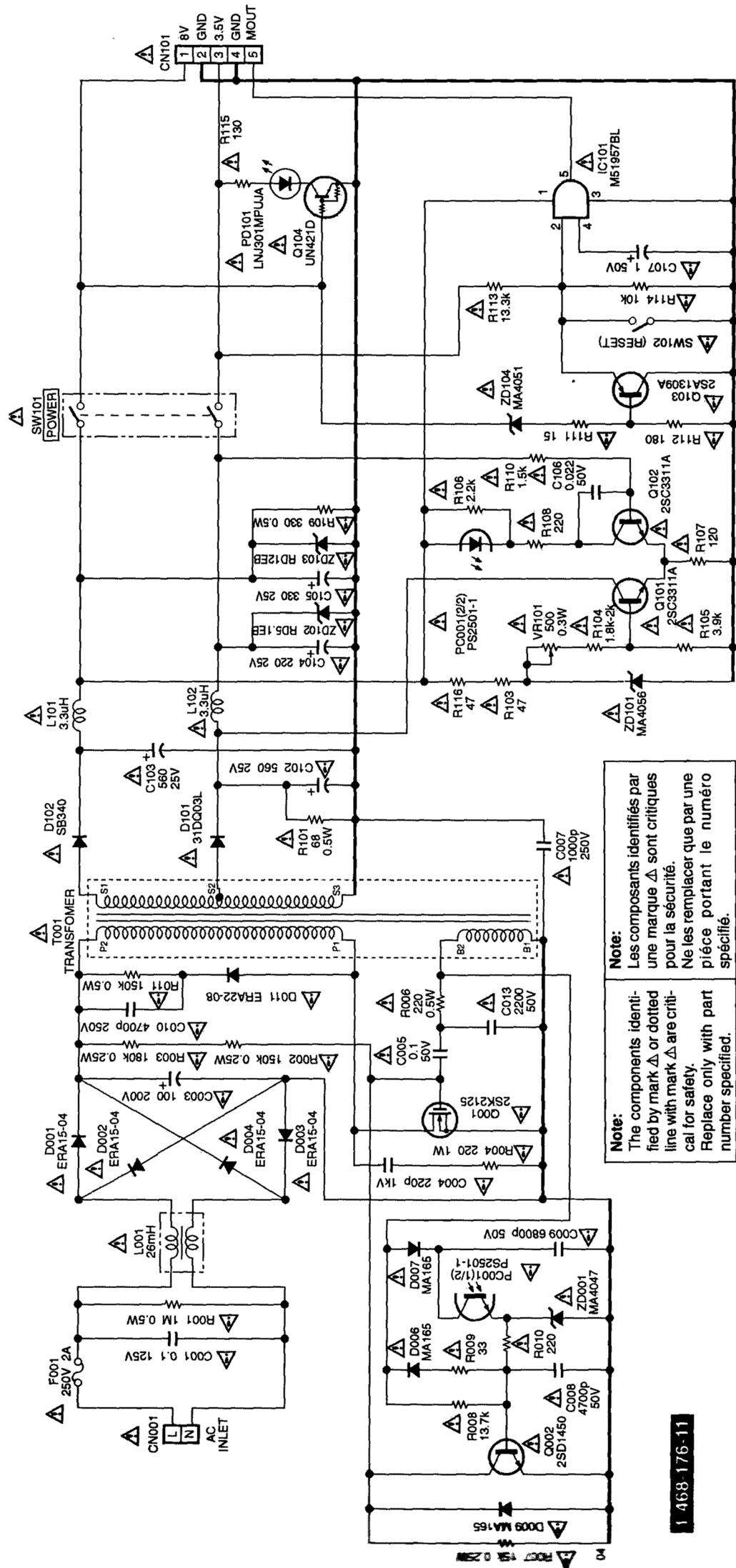
3rd Edition



Reproduction prohibited

Registered No.

PlayStation



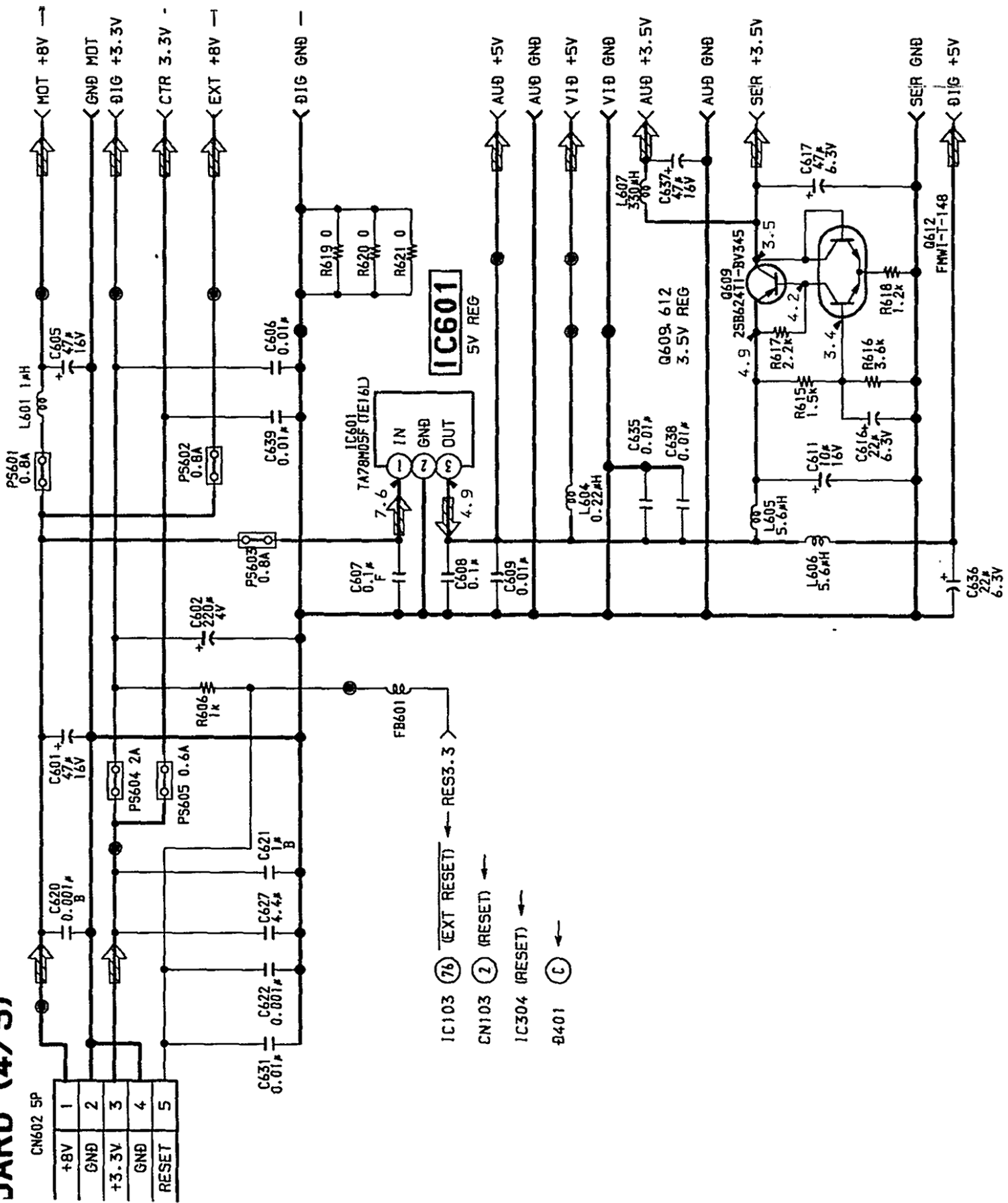
Note:
The components identified by mark Δ or dotted line with mark Δ are critical for safety. Replace only with part number specified.

Note:
Les composants identifiés par une marque Δ ou pointillés sont critiques pour la sécurité. Ne les remplacer que par une pièce portant le numéro spécifié.

1-468-176-11

6-9. PRINTED WIRING BOARD (POWER BLOCK (1-468-176-11))

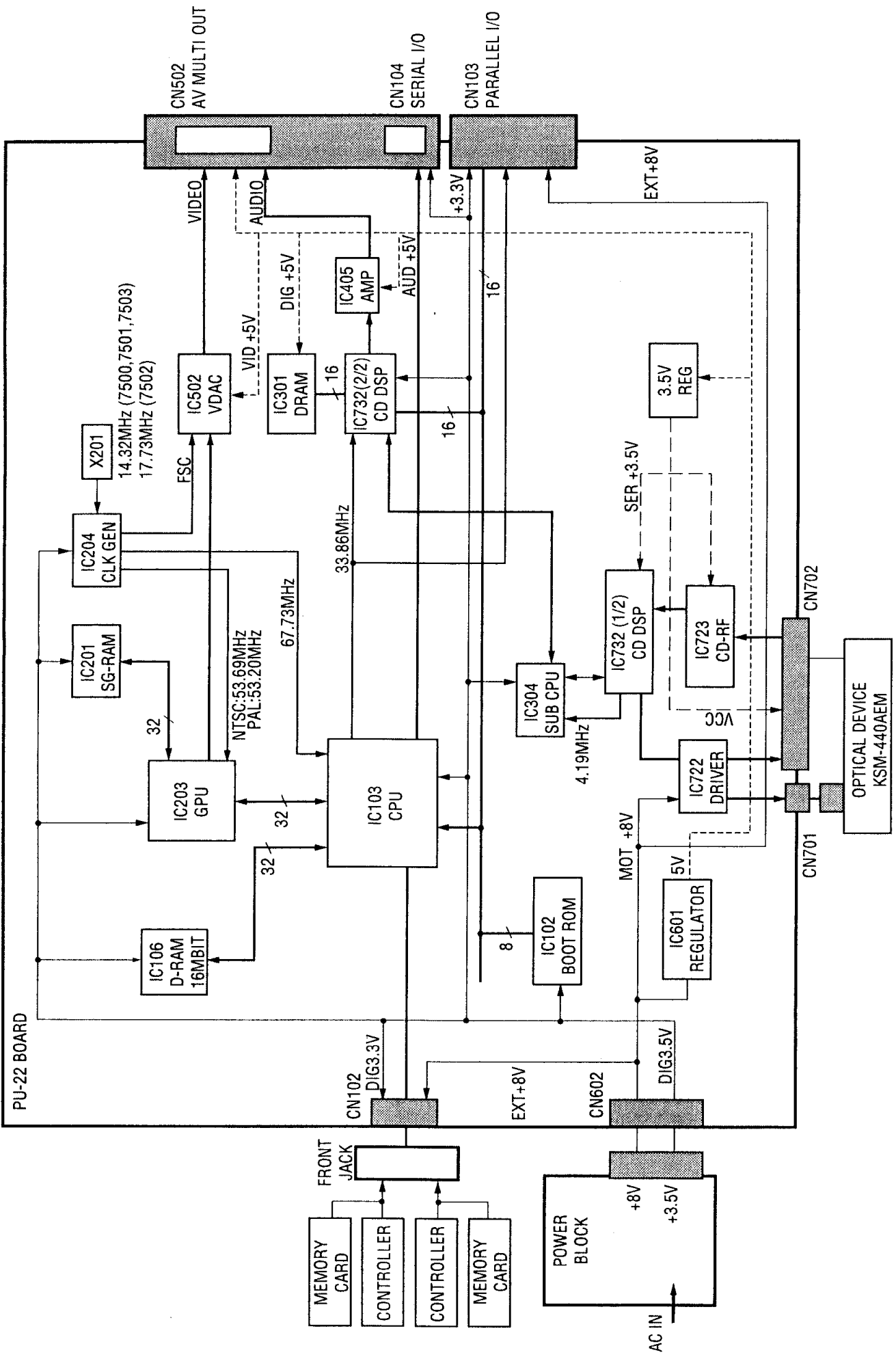
POWER BLOCK (SCPH-7500)



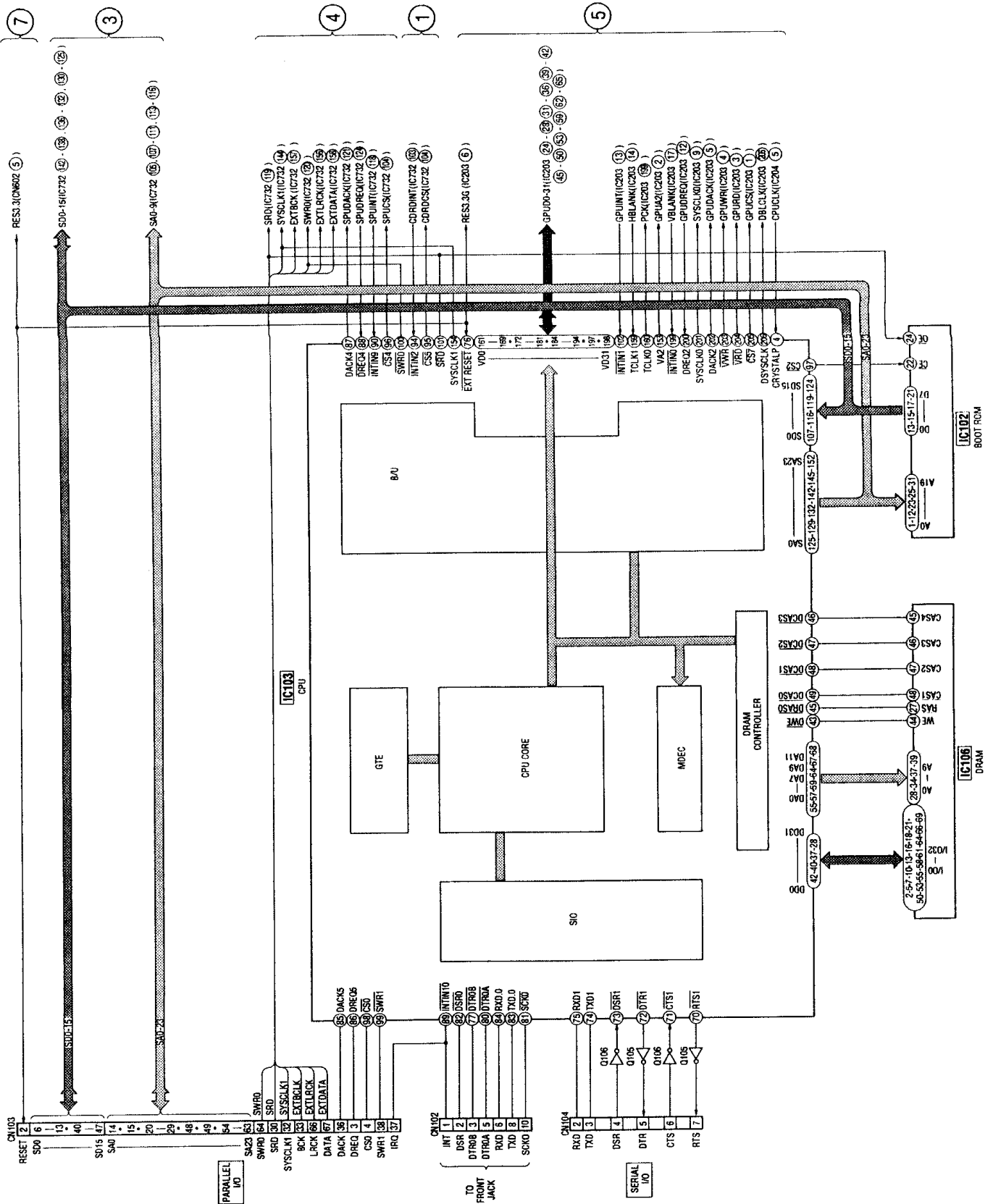
IC103 (76) (EXT RESET) ← RES3.3
 CN103 (2) (RESET) ←
 IC304 (RESET) ←
 B401 (C) ←

SECTION 5
BLOCK DIAGRAMS

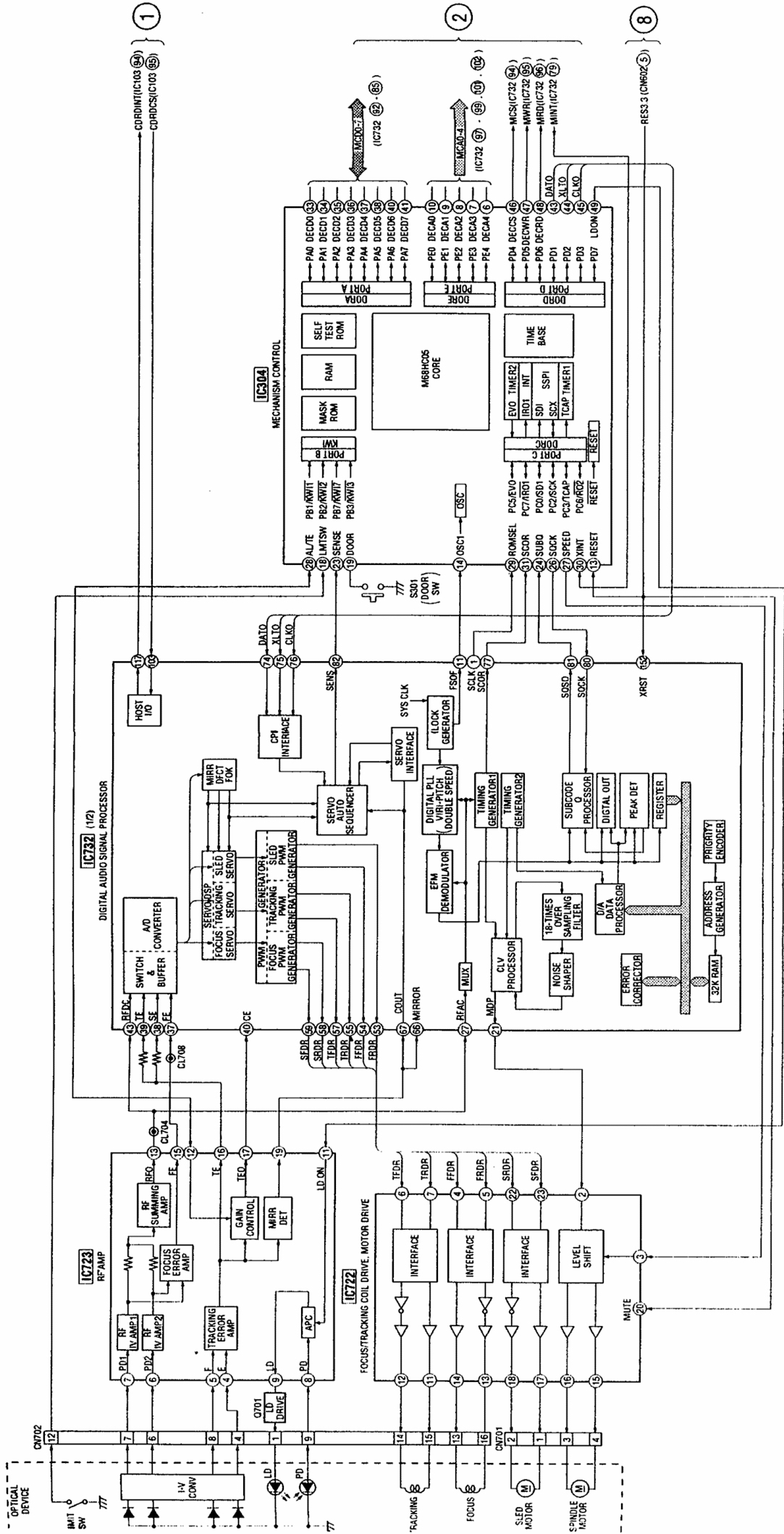
5-1. OVERALL BLOCK DIAGRAM



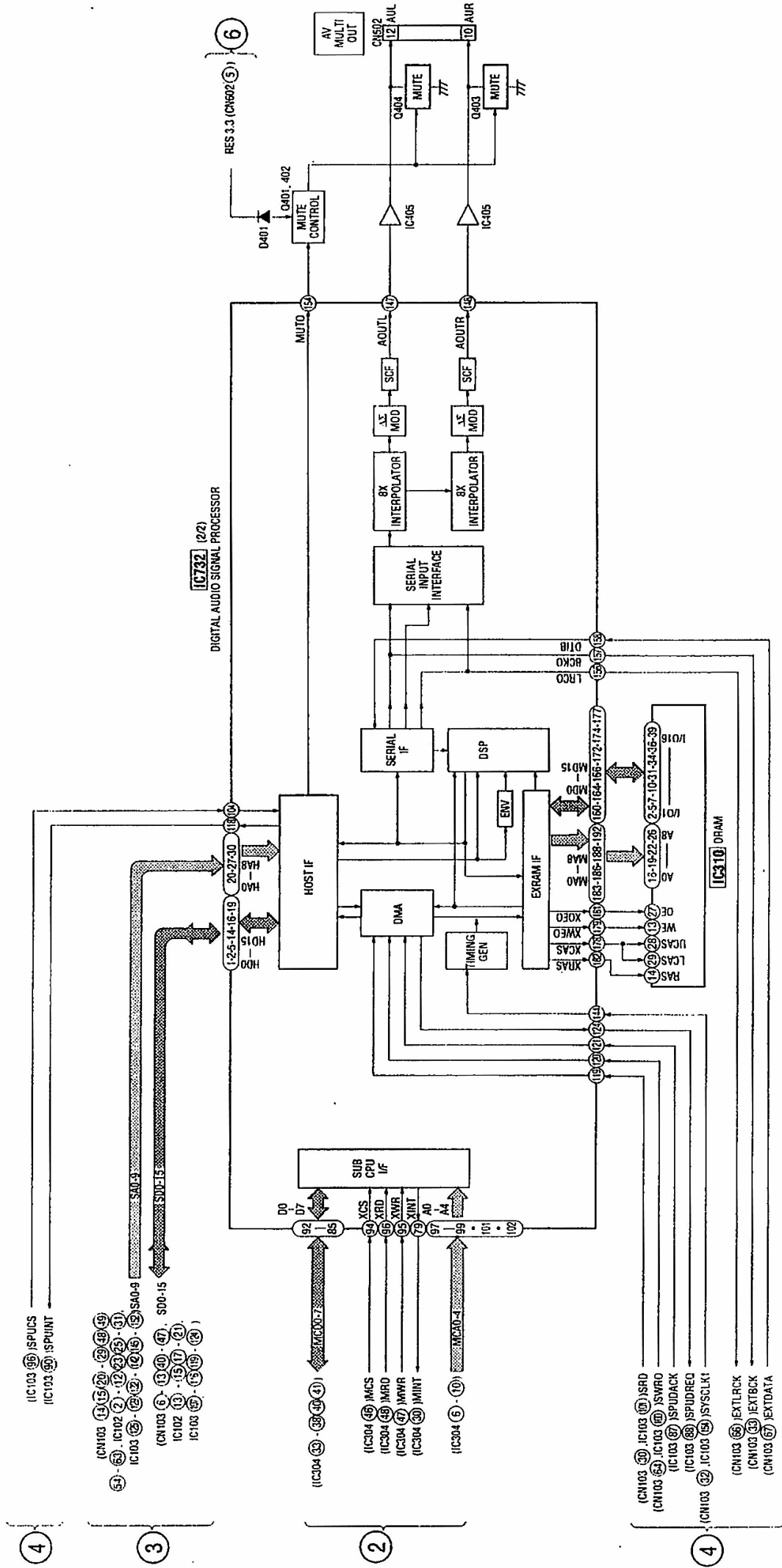
5-2. CPU BLOCK DIAGRAM



5. SERVO BLOCK DIAGRAM



5-4. AUDIO BLOCK DIAGRAM



IC102

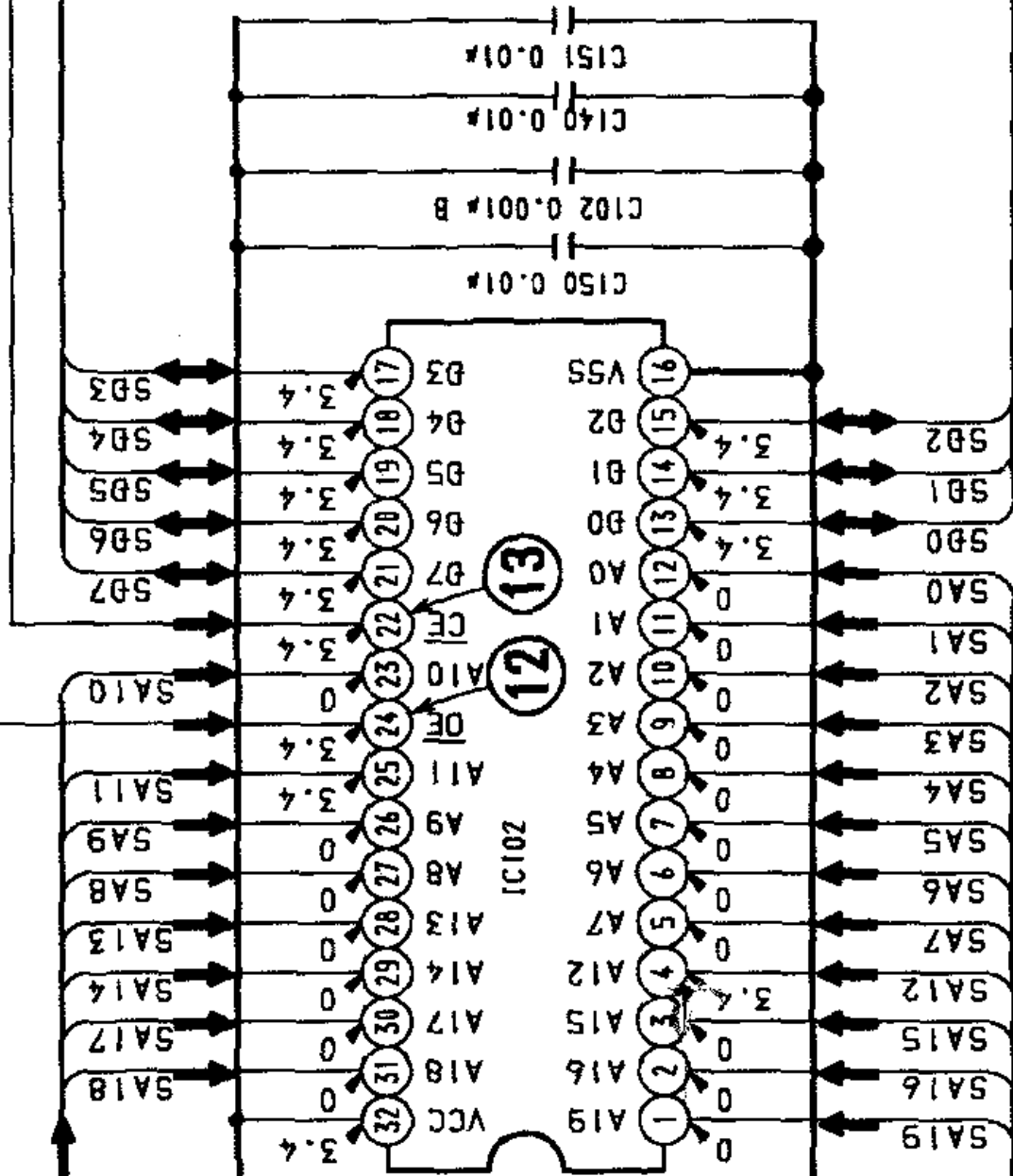
BOOT ROM

IC102

KM23V40008G-15-KF5314J-1T 07500

KM23V40008G-15-KF5316J-1T 07501, 7503D

MSM534031E-106S-KPR2 07502

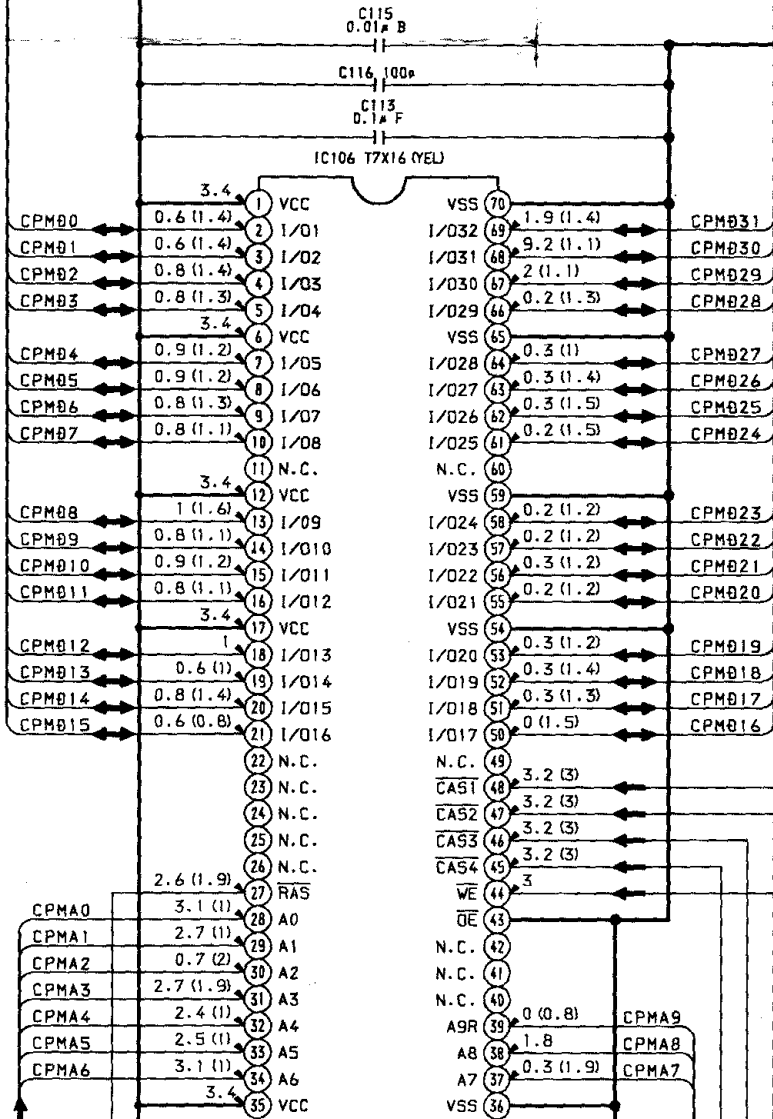


IC203 (206) (-BSYSCK) ← BBLCLK

IC204 (5) → CPUCLK

- IC203 (45) (00) ↔ GPU00 ↔ GPU00
- IC203 (44) (01) ↔ GPU01 ↔ GPU01
- IC203 (43) (02) ↔ GPU02 ↔ GPU02
- IC203 (42) (03) ↔ GPU03 ↔ GPU03
- IC203 (59) (04) ↔ GPU04 ↔ GPU04
- IC203 (58) (05) ↔ GPU05 ↔ GPU05
- IC203 (57) (06) ↔ GPU06 ↔ GPU06
- IC203 (56) (07) ↔ GPU07 ↔ GPU07
- IC203 (55) (08) ↔ GPU08 ↔ GPU08
- IC203 (54) (09) ↔ GPU09 ↔ GPU09
- IC203 (53) (10) ↔ GPU10 ↔ GPU10
- IC203 (50) (11) ↔ GPU11 ↔ GPU11
- IC203 (49) (12) ↔ GPU12 ↔ GPU12
- IC203 (48) (13) ↔ GPU13 ↔ GPU13
- IC203 (47) (14) ↔ GPU14 ↔ GPU14
- IC203 (46) (15) ↔ GPU15 ↔ GPU15
- IC203 (45) (16) ↔ GPU16 ↔ GPU16
- IC203 (42) (17) ↔ GPU17 ↔ GPU17
- IC203 (41) (18) ↔ GPU18 ↔ GPU18
- IC203 (40) (19) ↔ GPU19 ↔ GPU19
- IC203 (39) (20) ↔ GPU20 ↔ GPU20
- IC203 (36) (21) ↔ GPU21 ↔ GPU21
- IC203 (35) (22) ↔ GPU22 ↔ GPU22
- IC203 (34) (23) ↔ GPU23 ↔ GPU23
- IC203 (33) (24) ↔ GPU24 ↔ GPU24
- IC203 (32) (25) ↔ GPU25 ↔ GPU25
- IC203 (31) (26) ↔ GPU26 ↔ GPU26
- IC203 (28) (27) ↔ GPU27 ↔ GPU27
- IC203 (27) (28) ↔ GPU28 ↔ GPU28
- IC203 (26) (29) ↔ GPU29 ↔ GPU29
- IC203 (25) (30) ↔ GPU30 ↔ GPU30
- IC203 (24) (31) ↔ GPU31 ↔ GPU31

IC203 (6) (-RST) ← RES3.3G



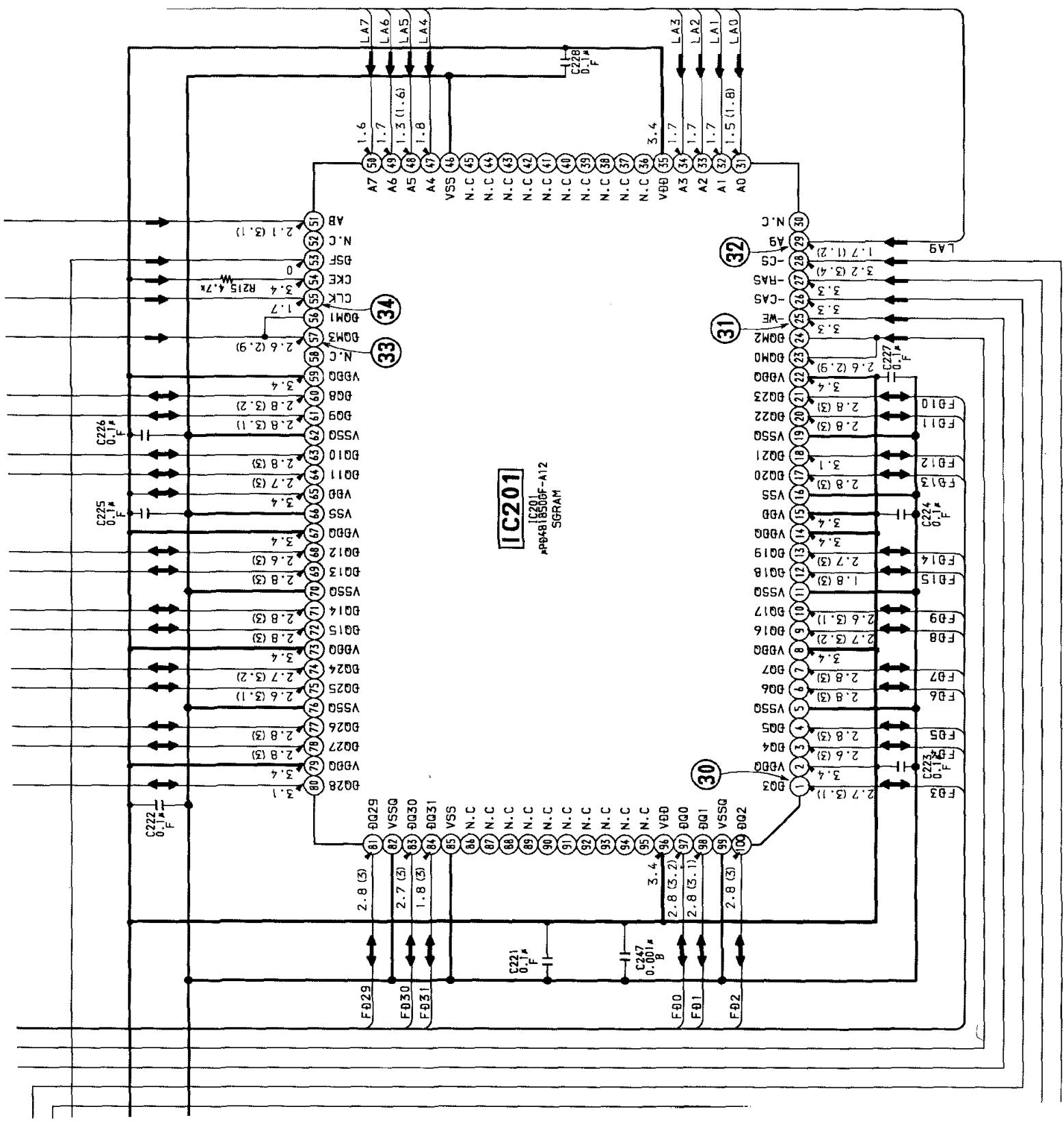
IC106
DRAM

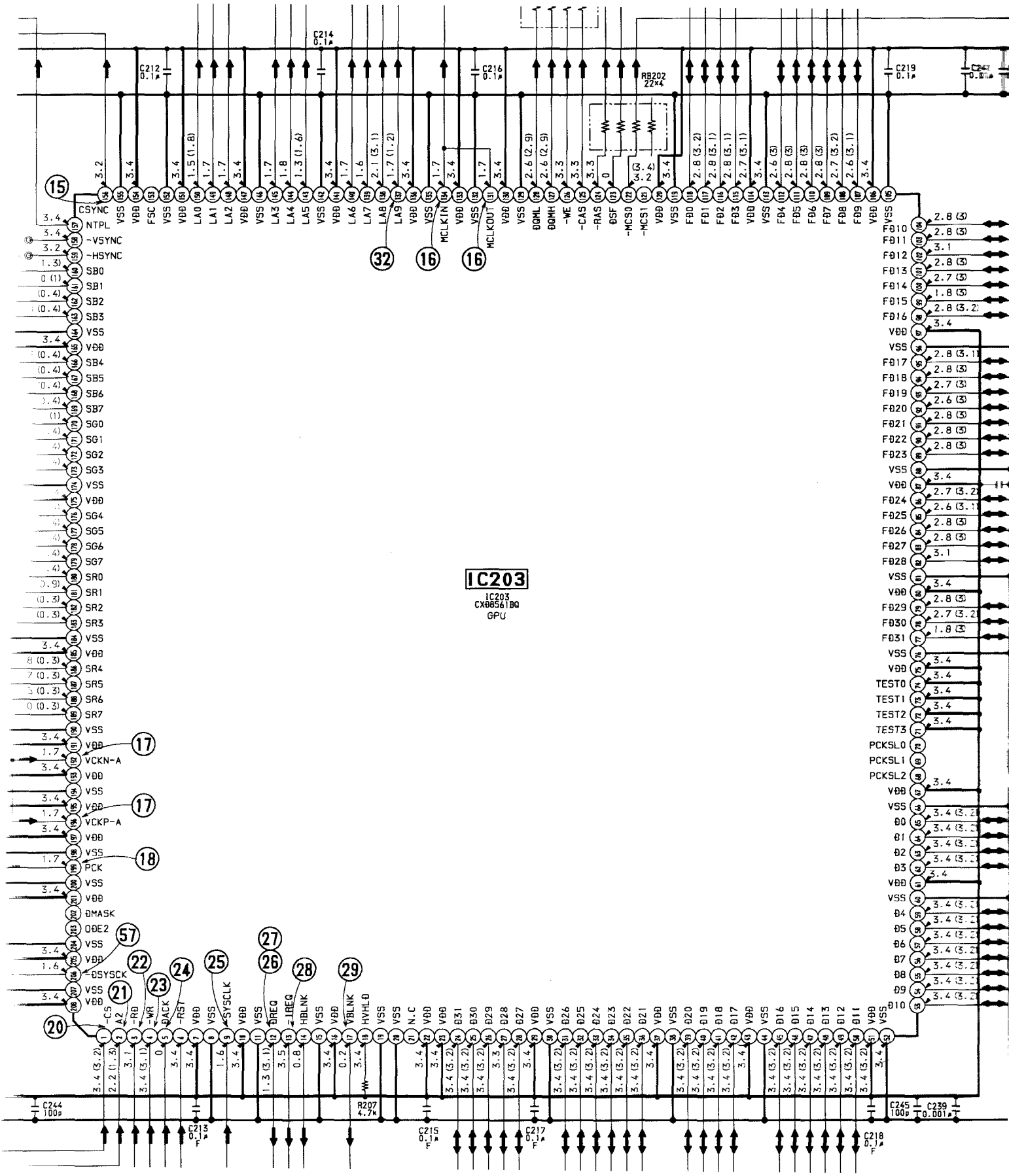
C118 0.001µF B
C122 0.001µF B

RB121 22X4

RB120 22X4

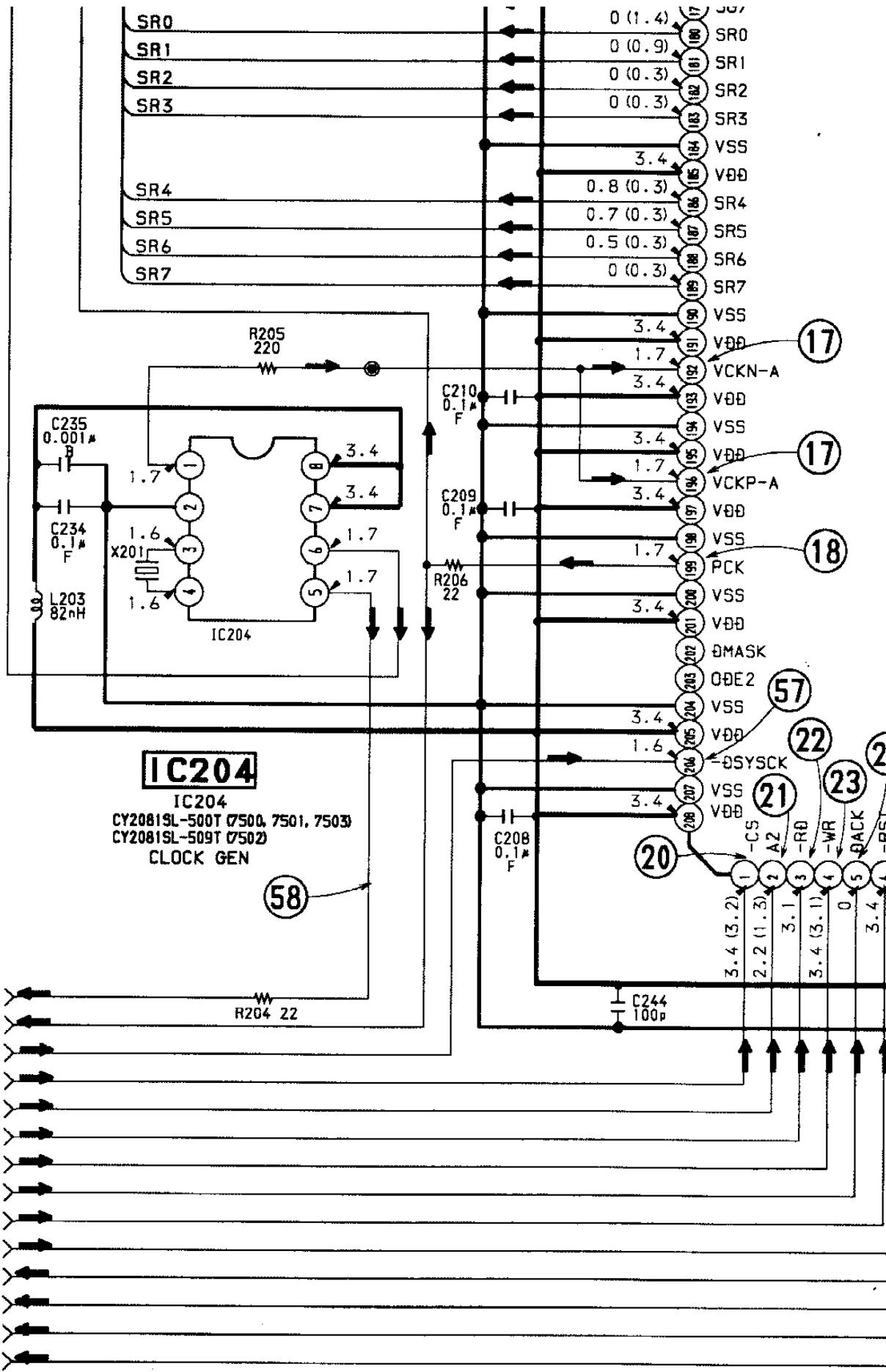
→ 016 +3.3V

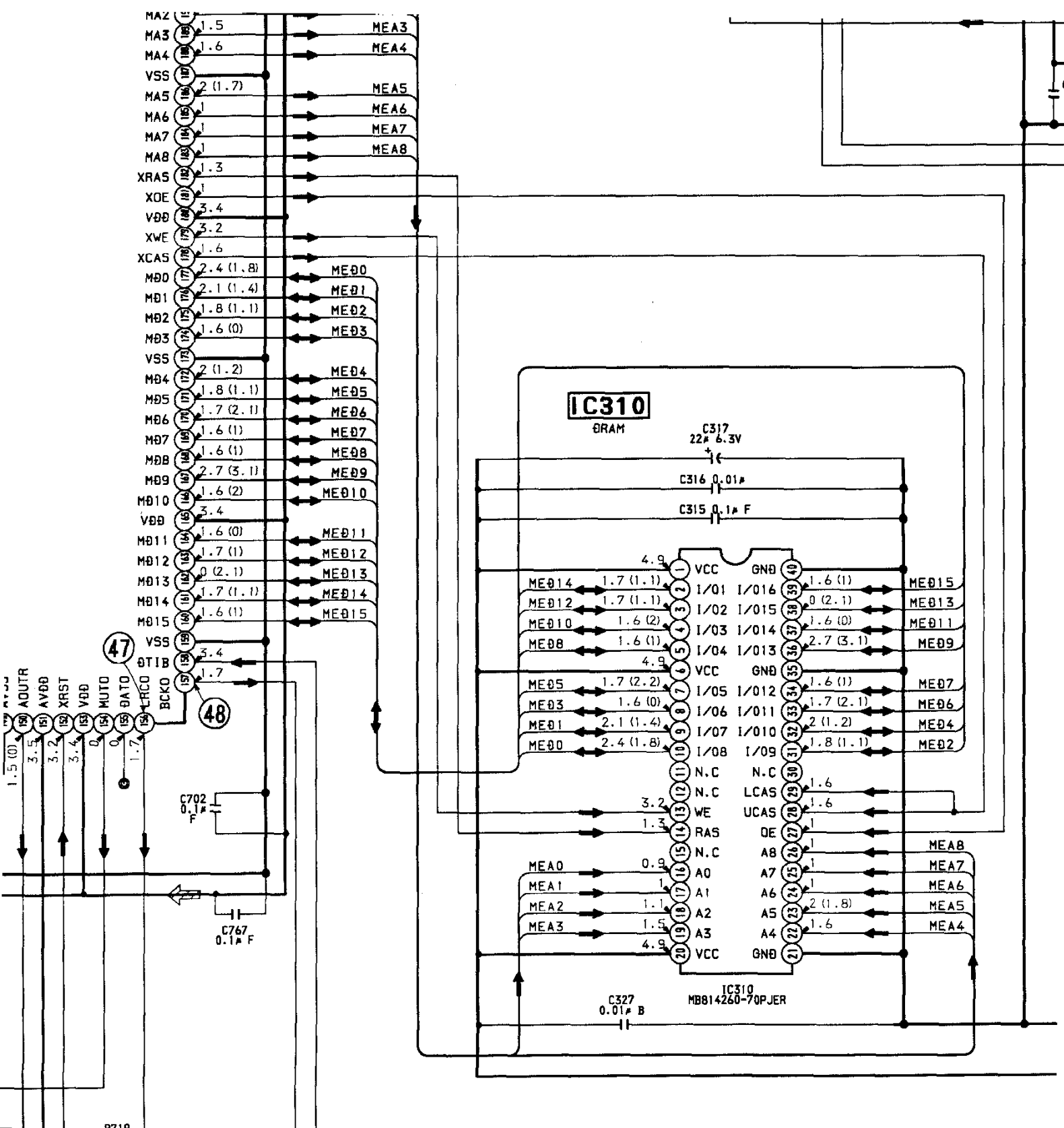


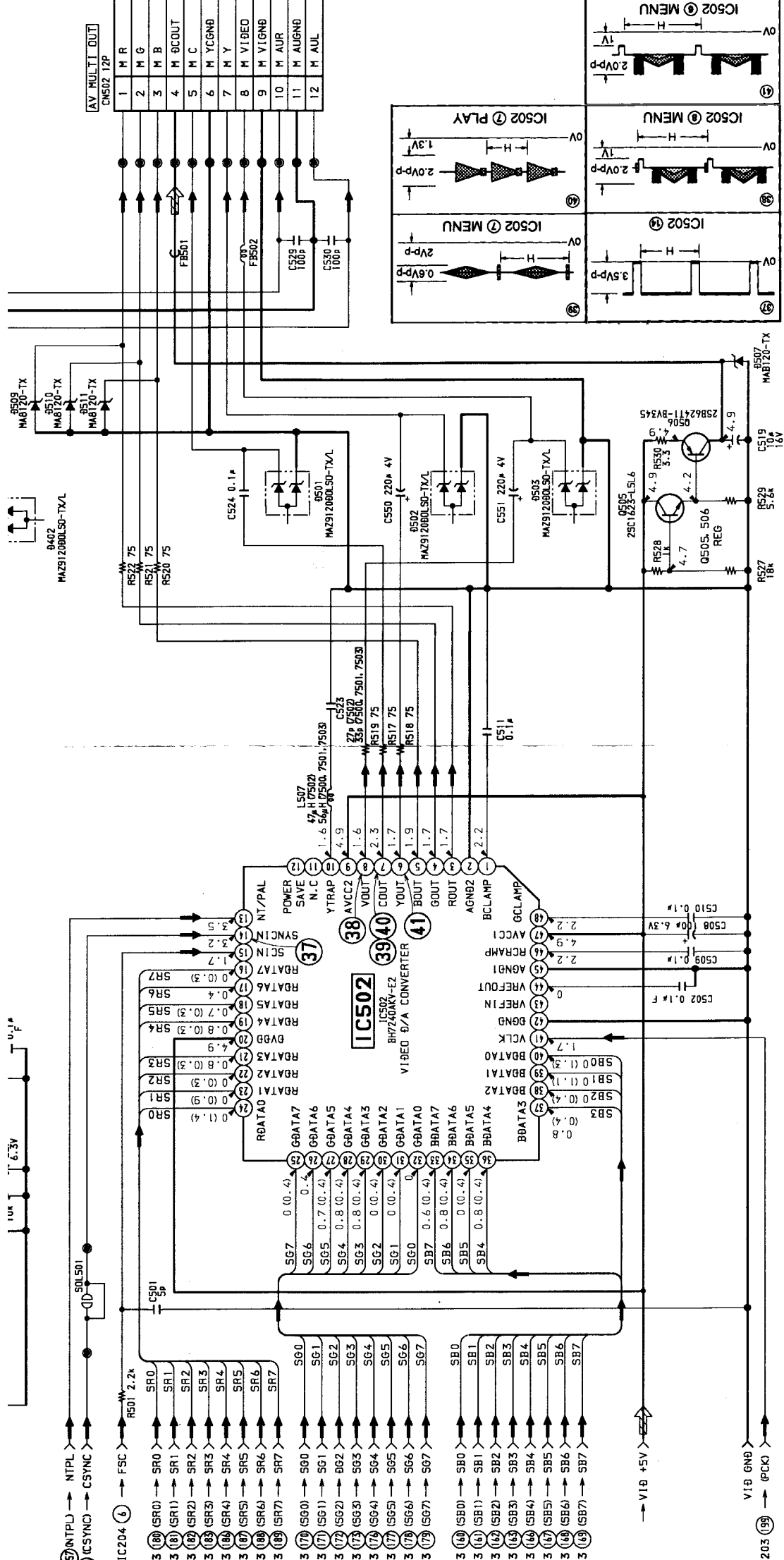


IC203
 IC203
 CX8856180
 GPU

X201
14.32MHz (7500, 7501, 7503)
17.73MHz (7502)

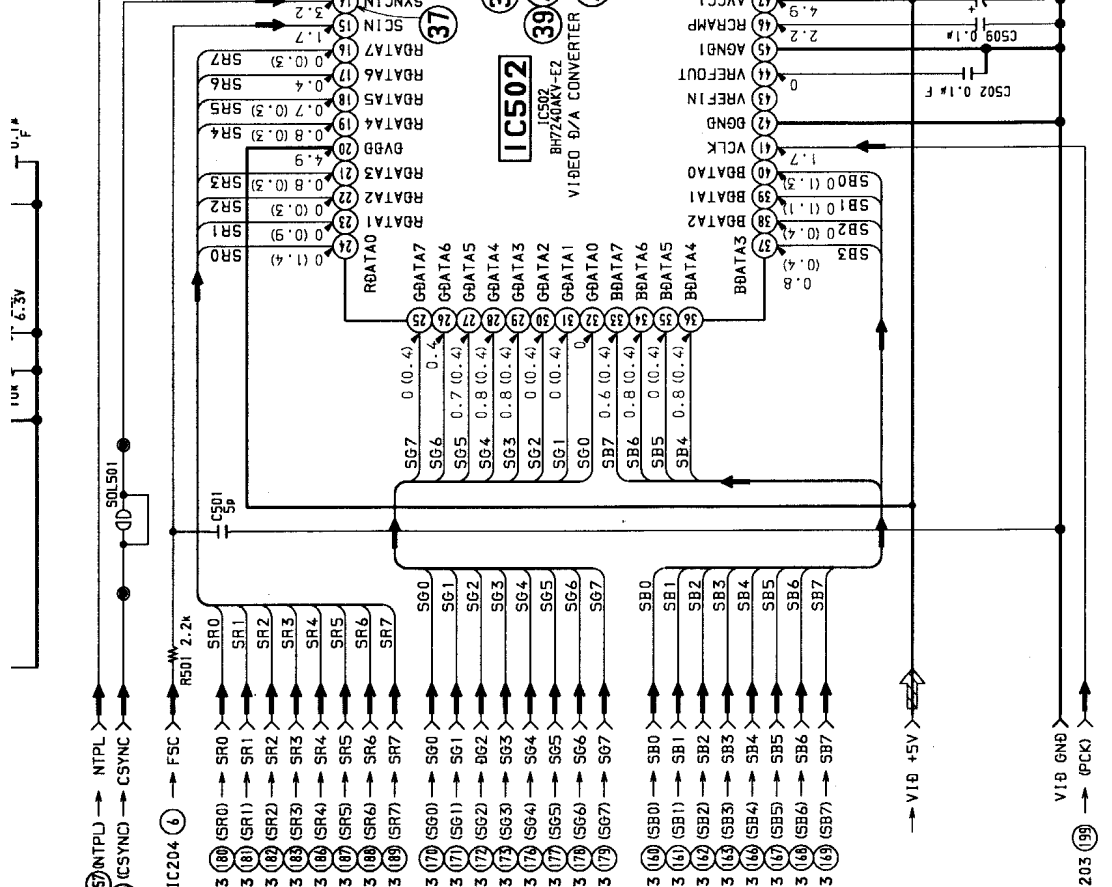
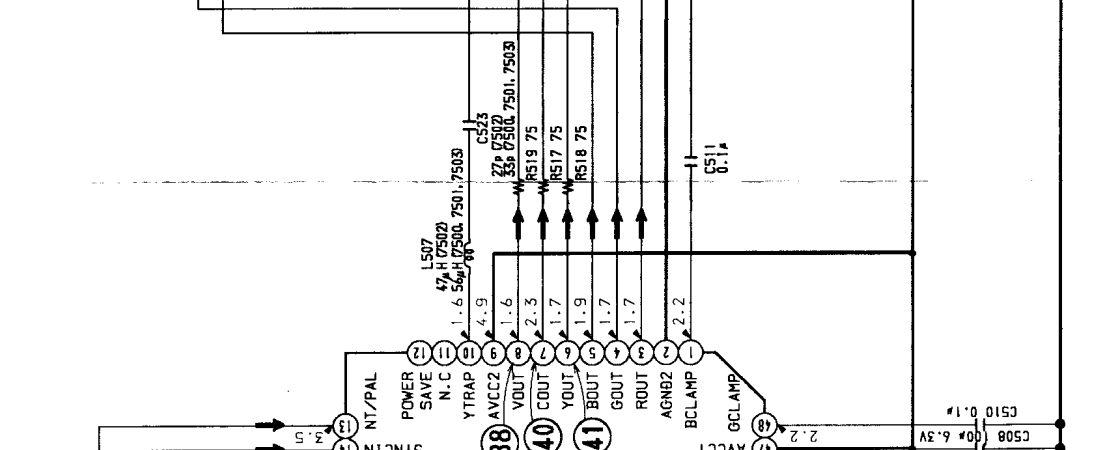
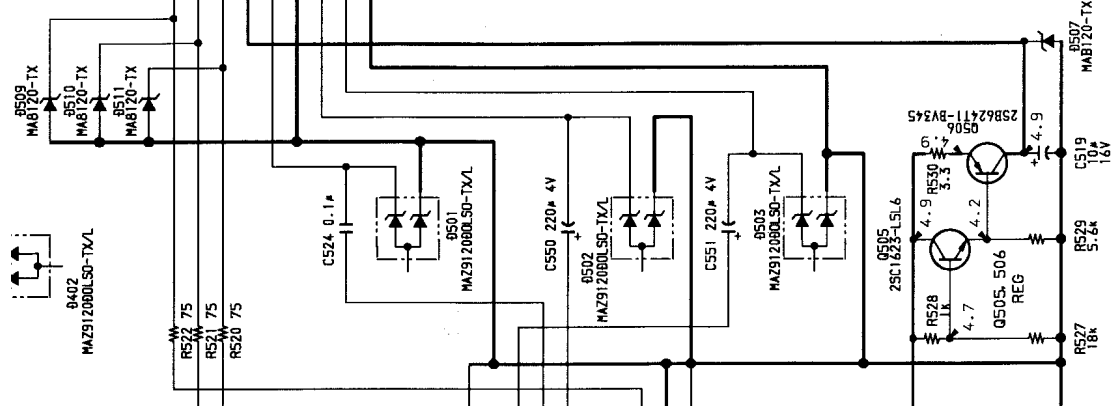
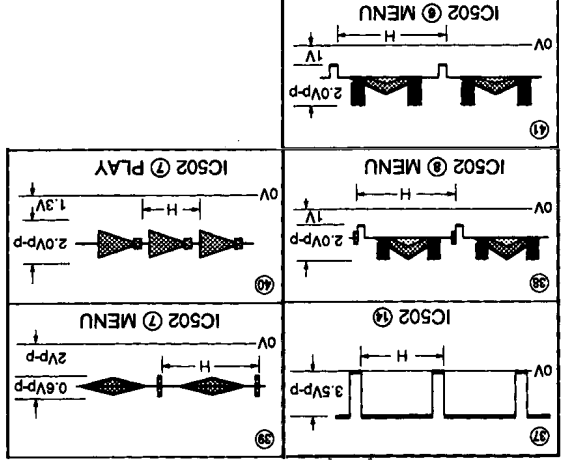


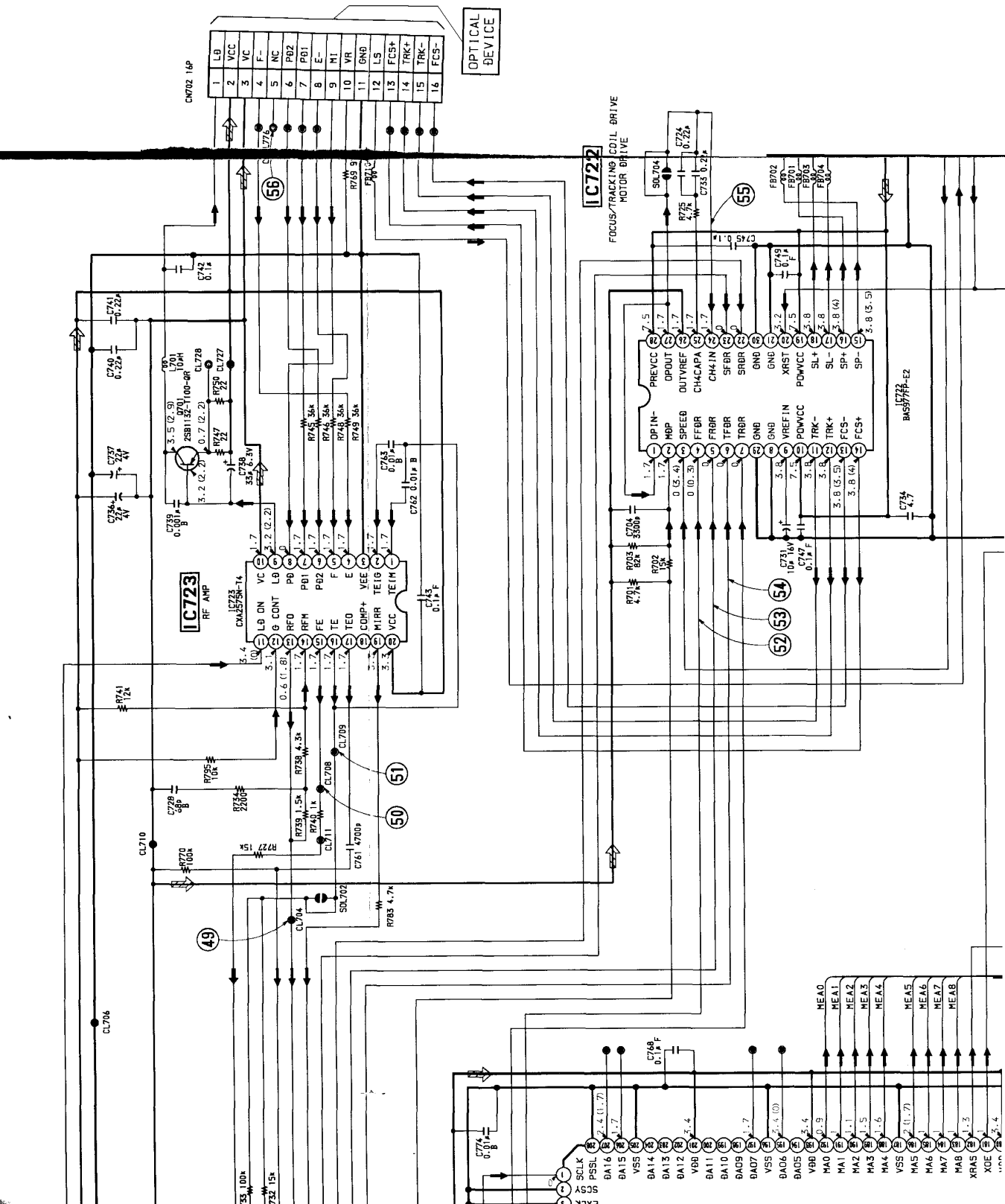
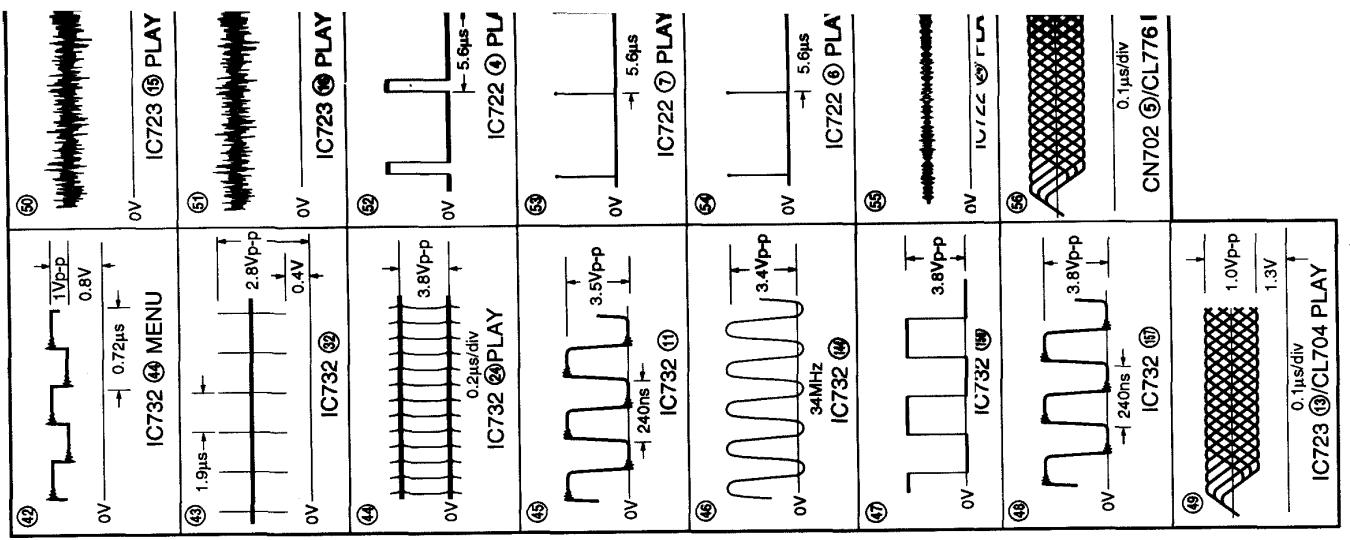


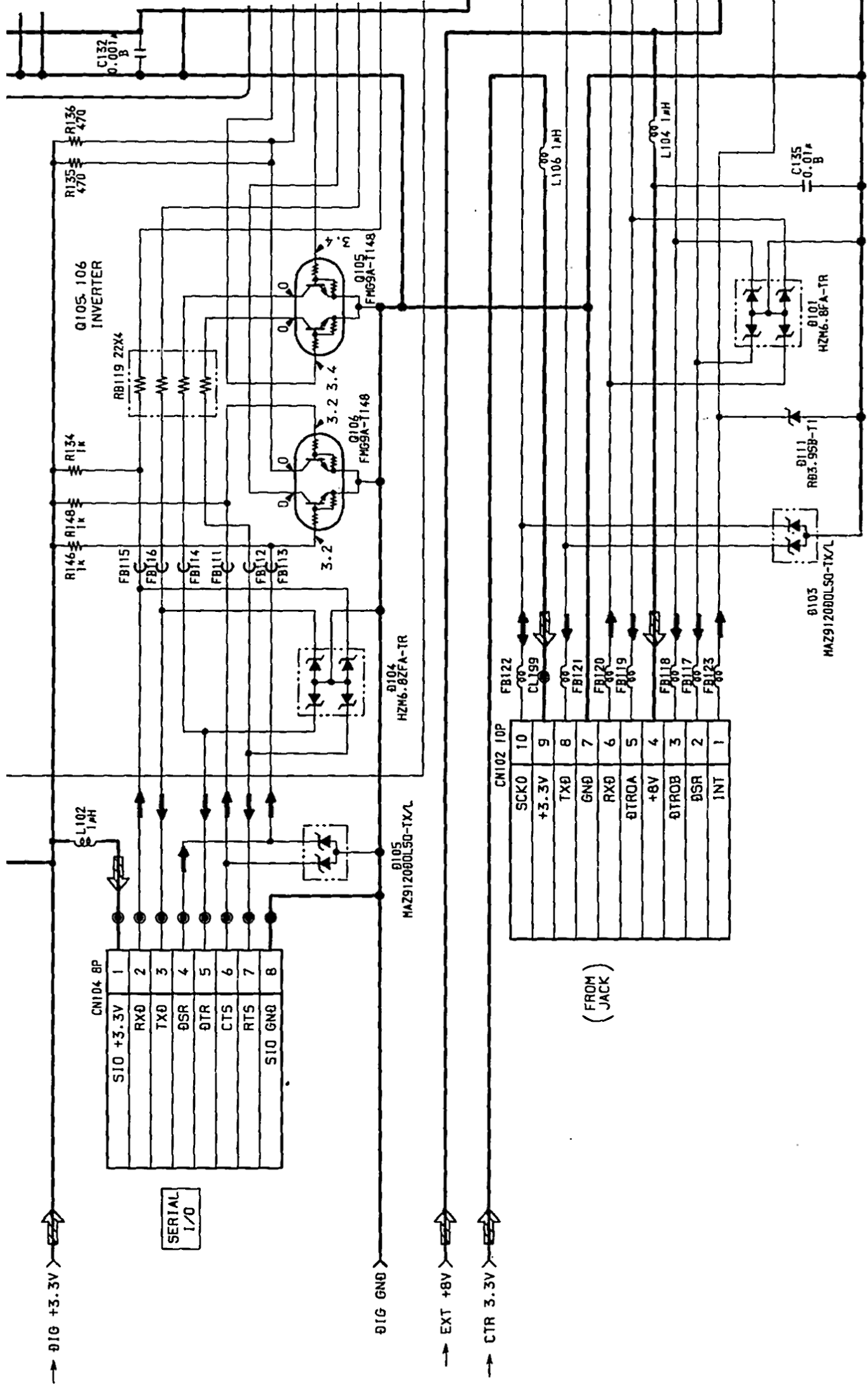


AV MULTI OUT
IC502 12P

1	M R
2	M G
3	M B
4	M BCOUT
5	M C
6	M YCGBD
7	M Y
8	M VIDEO
9	M YIGND
10	M AUR
11	M AUGND
12	M AUL







CNI04 8P

SIO +3.3V	1
RX0	2
TX0	3
0SR	4
0TR	5
CTS	6
RTS	7
SIO GND	8

SERIAL I/O

CNI02 10P

SCK0	10
+3.3V	9
TX0	8
GND	7
RX0	6
0TROA	5
+8V	4
0TROB	3
0SR	2
INT	1

(FROM JACK)

0101
HZN6.8FA-TR

0111
R03.9SB-T1

0103
MAZ912080LS0-TX/L

0104
HZN6.8ZFA-TR

0105
MAZ912080LS0-TX/L

Q105.106
INVERTER

Q105
FM69A-T148

Q104
FM69A-T148

R135 470
R136 470

R146 1K
R148 1K
R134 1K

RB119 22X4

RB115
RB116
RB114
RB111
RB112
RB113

L104 10H

L106 10H

L102 10H

C135
0.01A

C132
0.001A

010 +3.3V

01G GND

EXT +8V

CTR 3.3V

