



SCPH-100 SERIES

SERVICE MANUAL

5th Edition



PSone™



Sony Computer Entertainment Inc.
Customer Service Department
Published in Japan c.12.2001 9-927-088-03

Notice

This manual is copyrighted by Sony Computer Entertainment Inc. All rights Reserved.

No re-produced or transferred required except permission by Sony Computer Entertainment Inc.

No commercial use and rental required.

Revisions

This manual compiled by 5th edition of SCPH-100's Design data.

Design and specifications will be subject to change without notice.

So, the latest versions of Service Manual, Technical Memo and SCEI. Service Promotion Dept.'s Home Page "PS SERVICE PLAZA" should be used together with this manual.

PS SERVICE PLAZA web site: <http://svc.scei.sony.co.jp/>

TABLE OF CONTENTS

1. SPECIFICATIONS 1-1

2. EXPLODED VIEW

2-1. Main Block 2-1

3. ADJUSTMENTS

3-1. Check Specification 3-1

3-2. Adjustment & Check Tool 3-2

3-3. Attention 3-2

4. BLOCK DIAGRAM

4-1. Overall Block Diagram (PM-41 (-11/-21/-31/-41/-51/-61) Board) 4-1

4-2. Overall Block Diagram (PM-41 (-71) Board) 4-3

5. DIAGRAMS

5-1. Printed Wiring Board (PM-41 (-11) Board) (SCPH-100) 5-1

5-2. Printed Wiring Board (PM-41 (-21/-31) Board) (SCPH-100/101/102) 5-3

5-3. Printed Wiring Board (PM-41 (-41/-51) Board) (SCPH-100/101/102/103) .. 5-5

5-4. Printed Wiring Board (PM-41 (-61) Board) (SCPH-100/101/102/103) 5-7

5-5. Printed Wiring Board (PM-41 (-71) Board) (SCPH-100/101/102/103) 5-9

5-6. Schematic Diagram (PM-41 (-11/-21/-31/-41/-51/-61) Board (1/15)) 5-11

5-7. Schematic Diagram (PM-41 (-71) Board (2/15)) 5-13

5-8. Schematic Diagram (PM-41 (-11/-21/-31) Board (3/15)) 5-15

5-9. Schematic Diagram (PM-41 (-41/-51) Board (4/15)) 5-17

5-10. Schematic Diagram (PM-41 (-61) Board (5/15)) 5-19

5-11. Schematic Diagram (PM-41 (-71) Board (6/15)) 5-21

5-12. Schematic Diagram (PM-41 (-11/-21/-31/-41/-51/-61) Board (7/15)) 5-23

5-13. Schematic Diagram (PM-41 (-71) Board (8/15)) 5-25

5-14. Schematic Diagram (PM-41 (-11/-21/-31/-41/-51/-61) Board (9/15)) 5-27

5-15. Schematic Diagram (PM-41 (-71) Board (10/15)) 5-29

5-16. Schematic Diagram (PM-41 (-11) Board (11/15)) 5-31

5-17. Schematic Diagram (PM-41 (-21/-31/-41/-51/-61) Board (12/15)) 5-33

5-18. Schematic Diagram (PM-41 (-71) Board (13/15)) 5-35

5-19. Schematic Diagram (PM-41 (-11/-21/-31/-41/-51/-61) Board (14/15)) 5-37

5-20. Schematic Diagram (PM-41 (-71) Board (15/15)) 5-39

6. ELECTRICAL PARTS LIST

• PM-41 Board 6-1

SECTION 1 SPECIFICATIONS

SCPH-100

General

Power requirements
DC IN 7.5 V

Power consumption
9 W

Dimensions
193 × 36 × 143 mm (w/h/d)

Mass
550 g

Operating Temperature
5°C - 35°C

Laser diode properties

- Material : GaAlAs
- Wavelength : λ=780 nm
- Emission duration : Continuous
- Laser output : Less than 44.6 μW
(measured at a distance of 200 mm from the lens surface on the optical pick-up block)

Inputs/outputs on the front

Controller ports (2)
MEMORY CARD slots (2)

Outputs on the rear

AV MULTI OUT connector (1)

AC power adaptor

Power requirements
100 V AC, 50/60 Hz

Output voltage and current
7.5 V, 2.0 A max.

Dimensions
50 × 27 × 78 mm (w/h/d)

Mass
160 g

Supplied accessories

AC Adaptor (1)
AV Cable
(integrated audio/video) (1)
Analog Controller
(DUALSHOCK™) (1)
Instruction Manual (1)

Design and specifications are subject to change without notice.

SCPH-103

General

Power requirements
DC IN 7.5 V

Power consumption
9 W

Dimensions
193 × 38 × 144 mm (w/h/d)

Mass
560 g

Operating Temperature
5°C - 35°C

Laser diode properties

- Material : GaAlAs
- Wavelength : λ=780 nm
- Emission duration : Continuous
- Laser output : Less than 44.6 μW
(measured at a distance of 200 mm from the lens surface on the optical pick-up block)

Inputs/outputs on the front

Controller ports (2)
MEMORY CARD slots (2)

Outputs on the rear

AV MULTI OUT connector (1)

Supplied accessories

AC Adaptor (1)
AV Cable
(integrated audio/video) (1)
Analog Controller
(DUALSHOCK™) (1)
Instruction Manual (1)

Design and specifications are subject to change without notice.

SCPH-101

General

Power requirements
DC IN 7.5 V

Power consumption
9 W

Dimensions
193 × 38 × 144 mm (w/h/d)
(7 5/8 × 1 1/2 × 5 3/4 inches)

Mass
560 g (1 lb 3 oz)

Operating Temperature
41°F - 95°F (5°C - 35°C)

Laser diode properties

- Material : GaAlAs
- Wavelength : λ=780 nm
- Emission duration : Continuous
- Laser output : Less than 44.6 μW
(measured at a distance of 200 mm from the lens surface on the optical pick-up block)

Inputs/outputs on the front

Controller ports (2)
MEMORY CARD slots (2)

Outputs on the rear

AV MULTI OUT connector (1)

Supplied accessories

AC Adaptor (1)
AV Cable
(integrated audio/video) (1)
Analog Controller
(DUALSHOCK™) (1)
Instruction Manual (1)

Design and specifications are subject to change without notice.

SCPH-102

General

Power requirements
DC IN 7.5 V

Power consumption
9 W

Dimensions
193 × 38 × 144 mm (w/h/d)

Mass
560 g

Operating Temperature
41°F - 95°F (5°C - 35°C)

Laser diode properties

- Material : GaAlAs
- Wavelength : λ=780 nm
- Emission duration : Continuous
- Laser output : Less than 44.6 μW
(measured at a distance of 200 mm from the lens surface on the optical pick-up block)

Inputs/outputs on the front

Controller ports (2)
MEMORY CARD slots (2)

Outputs on the rear

AV MULTI OUT connector (1)

Supplied accessories

AC Adaptor (1)
AV Cable
(integrated audio/video) (1)
Analog Controller
(DUALSHOCK™) (1)
Instruction Manual (1)

Design and specifications are subject to change without notice.

SECTION 2 EXPLODED VIEW

NOTE:

- The mechanical parts with no reference number in the exploded views are not supplied.
- -XX and -X mean standardized parts, so they may have some difference from the original one.
- Accessories and packing materials are given in the last of this parts list.

The components identified by mark Δ or dotted line with mark. Δ are critical for safety. Replace only with part number specified.

Les composants identifiés par une marque Δ sont critiques pour la sécurité. Ne les remplacer que par une pièce portant le numéro spécifié.

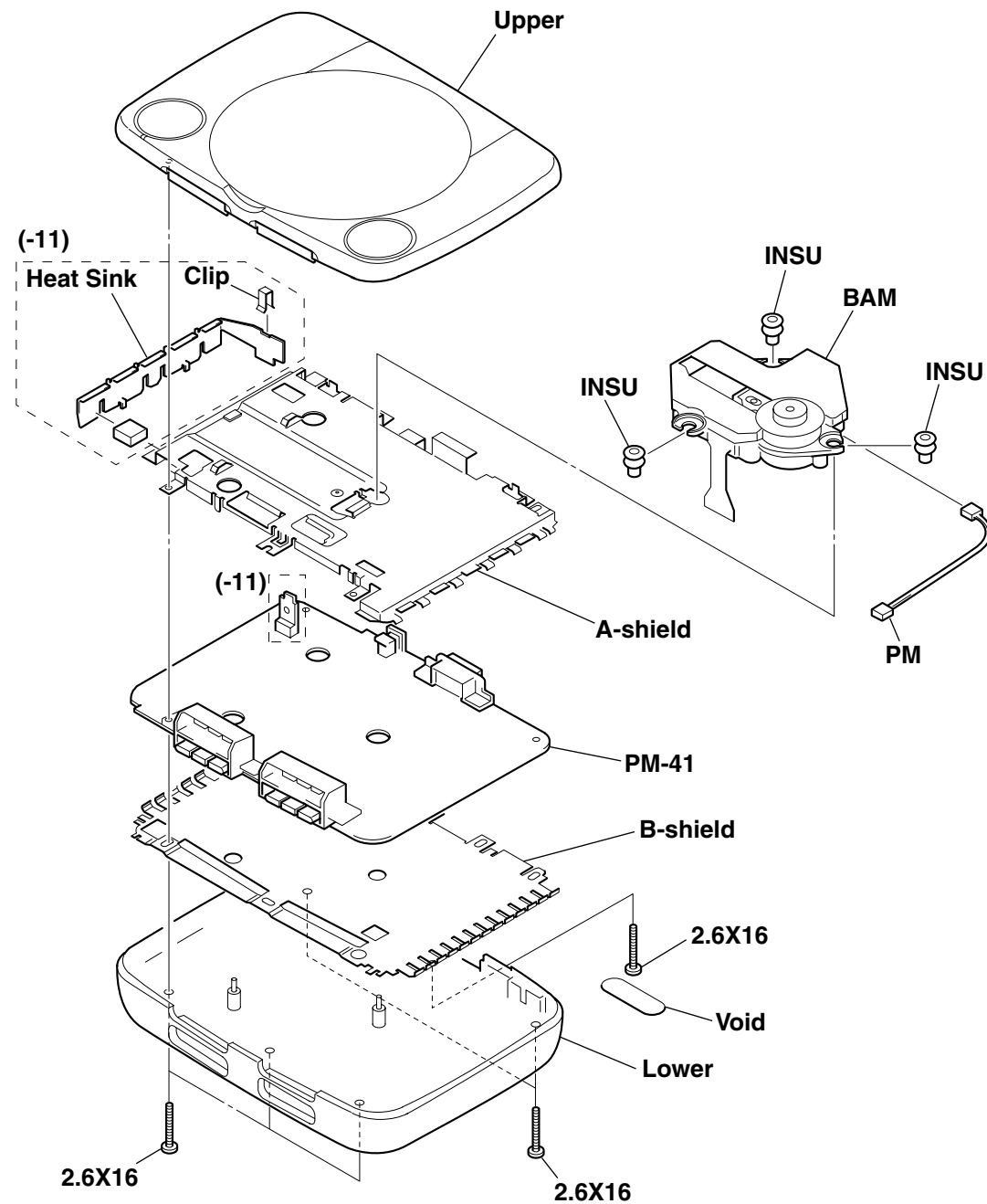
NOTE:

- SC Classification :
S : Stocked parts U : Unsupplied parts
O : Ordered parts

CAUTION

Use of controls or adjustments or performance of procedures other than those specified herein may result in hazardous radiation exposure.

2-1. MAIN BLOCK



SC	Ref. No.	Part No.	Description	Remark
O	A-shield	X-3950-906-1	SHIELD (A) ASSY (-11/-21/-31/-41/-51/-61)	
O	A-shield	X-3952-077-1	SHIELD (A) ASSY (-71)	
O	B-shield	3-063-429-01	SHIELD (B) (-11/-21/-31/-41/-51/-61)	
O	B-shield	3-069-803-01	SHIELD (B) (-71)	
S Δ	BAM	8-820-135-01	DEVICE, OPTICAL KSM-440BAM/C1NP	
O	Clip	3-063-704-01	CLIP (-11)	
O	Heat Sink	3-063-703-01	HEAT SINK (-11)	
S	INSU	3-063-428-01	INSULATOR (A) (-11)	
S	INSU	3-965-376-11	INSULATOR (-21/-31/-41/-51/-61/-71)	
O	Lower	X-3952-076-1	CABINET (LOWER) ASSY (100,102,103)	
O	Lower	X-3952-079-1	CABINET (LOWER) ASSY (101)	
O	PM	1-954-377-31	HARNESS (PM-86)	
O Δ	PM-41	A-6713-742-A	PM-41 BOARD, COMPLETE (100:-11/-21/-31)	
O Δ	PM-41	A-6713-768-A	PM-41 BOARD, COMPLETE (101:-21/-31)	
O Δ	PM-41	A-6713-776-A	PM-41 BOARD, COMPLETE (102:-21/-31)	
O Δ	PM-41	A-6713-853-A	PM-41 BOARD, COMPLETE (100:-41/-51)	
O Δ	PM-41	A-6713-854-A	PM-41 BOARD, COMPLETE (101:-41/-51)	
O Δ	PM-41	A-6713-855-A	PM-41 BOARD, COMPLETE (102:-41/-51)	
O Δ	PM-41	A-6713-864-A	PM-41 BOARD, COMPLETE (103:-41/-51)	
O Δ	PM-41	A-6713-902-A	PM-41 BOARD, COMPLETE (101:-61)	
O Δ	PM-41	A-6713-903-A	PM-41 BOARD, COMPLETE (100:-61)	
O Δ	PM-41	A-6713-904-A	PM-41 BOARD, COMPLETE (102:-61)	
O Δ	PM-41	A-6713-906-A	PM-41 BOARD, COMPLETE (103:-61)	
O Δ	PM-41	A-6715-470-A	PM-41 BOARD, COMPLETE (100:-71)	
O Δ	PM-41	A-6715-471-A	PM-41 BOARD, COMPLETE (101:-71)	
O Δ	PM-41	A-6715-483-A	PM-41 BOARD, COMPLETE (102:-71)	
O Δ	PM-41	A-6715-484-A	PM-41 BOARD, COMPLETE (103:-71)	
O	Upper	X-3952-075-1	CABINET (UPPER) ASSY (100,102,103)	
O	Upper	X-3952-078-1	CABINET (UPPER) ASSY (101)	
O	Void	3-064-752-01	TAPE, VOID (100)	
O	Void	3-065-630-01	TAPE (B), VOID (101)	
O	Void	3-065-656-01	TAPE (C), VOID (102)	
O	Void	3-066-884-02	TAPE (D), VOID (103)	
O	Void	3-075-101-01	TAPE (KR3), VOID (103D)	
O	2.6X16	3-063-705-01	SCREW (2.6X16), TAPPING	

The components identified by mark Δ or dotted line with mark. Δ are critical for safety. Replace only with part number specified.

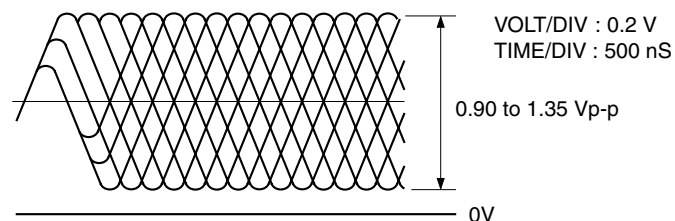
Les composants identifiés par une marque Δ sont critiques pour la sécurité. Ne les remplacer que par une pièce portant le numéro spécifié.

SECTION 3 ADJUSTMENTS

3-1. CHECK SPECIFICATION

RF level 0.90 to 1.35 Vp-p (Check point : Between CL704 (HOT) and CL710 (VC).)

- RF signal waveform (eye pattern)



Use SCD-2700 DISC when measured RF level.
Use the oscilloscope with input impedance more than 10 MΩ.

RF Jitter Below 9.0 nS (Measuring by KJM-6135S JITTER METER.)

Below 27.0 nS (Measuring by KJM-6235S JITTER METER.)

PP level 1.1 ± 0.6 Vp-p (Check point : Between CL776 (HOT) and CL710 (VC).)

Use LPF (fc = 10 kHz)

Tracking level 1.25 ± 0.65 Vp-p (Check point : Between CL709 (HOT) and CL710 (VC).)

Caution. Vc Line (CL710) do not make common use with GND line.

3-2. ADJUSTMENT & CHECK TOOL

SCD-2700 TEST DISC
(J-2504-010-A)

QA DISC

PTPX-97001 for Japan & Asia area.
(J-2504-013-A)

PUPX-93001 for USA & Canada area.
(J-2504-009-A)

PEPX-94001 for Europe, Australia, Galf area.
(J-2504-007-A)

AGING DISC

PTPX-97002 for Japan & Asia area.
(J-2504-019-A)

PUPX-93002 for USA & Canada area.
(J-2504-020-A)

PEPX-94002 for Europe, Australia, Galf area.
(J-2504-017-A)

ANALOG CONTROLLER SERVICE DISC

PTPX-97012 for Japan & Asia area.
(J-2504-021-A)

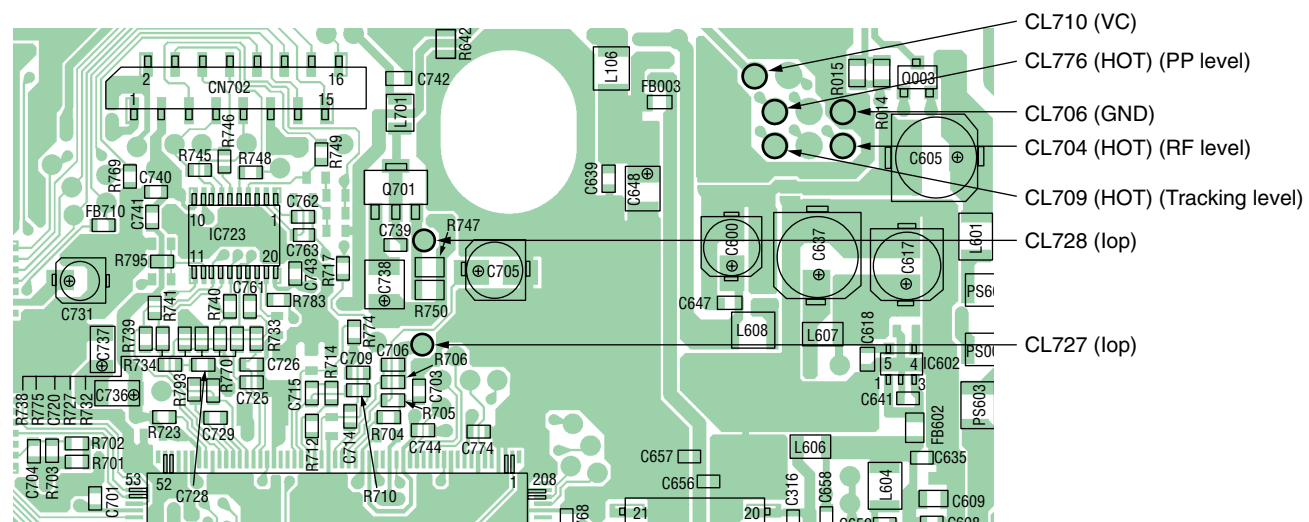
PUPX-93010 for USA & Canada area.
(J-2504-022-A)

PEPX-94009 for Europe, Australia, Galf area.
(J-2504-023-A)

ANALOG CONTROLLER CHECKER (PRE-H3000)
(J-2504-008-A)

SWITCH ON JIG (PRJ-001)
(J-2504-003-A)

Check Point for PU-41 Board. (Refer to each printed wiring boards)



3-3. ATTENTION

Dielectric voltage withstand of Optical Device.

After repair complete. Dielectric voltage withstand test and Insulation resistance test to be conducted according to the regulation of IEC-65 EN60065 or UL1492 or 電気用品取締法 .

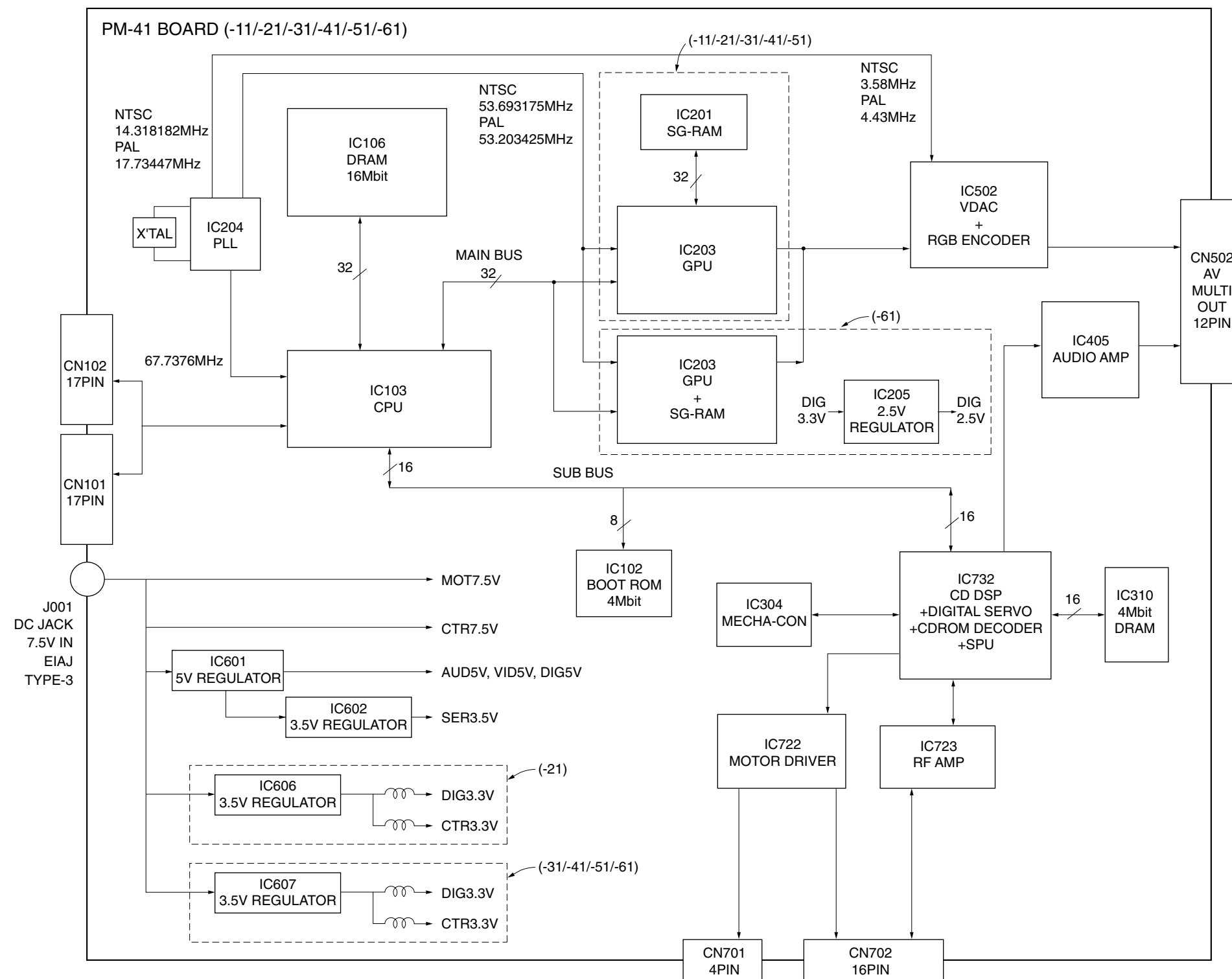
About replacement of Optical Device.

Check the specification of RF level, Jitter, Eye pattern, Focus gain and Tracking error using Check jig before replacing the Optical Device.

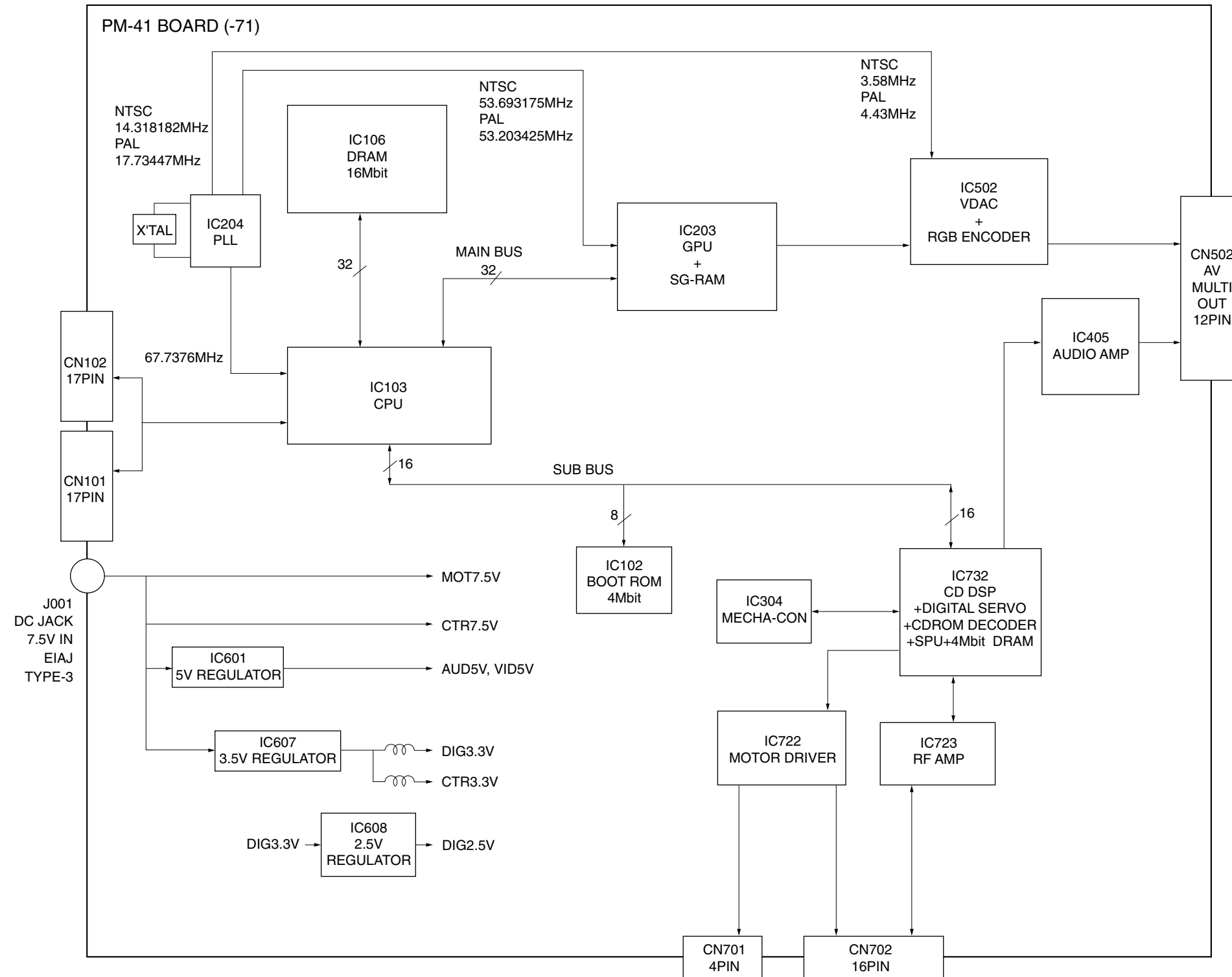
When Optical Device satisfied those specification, Playback QA DISC or AGING DISC for checking double speed ability and sledding mechanism.

SECTION 4 BLOCK DIAGRAM

4-1. OVERALL BLOCK DIAGRAM (PM-41 (-11/-21/-31/-41/-51/-61) BOARD)




4-2. OVERALL BLOCK DIAGRAM (PM-41 (-71) BOARD)




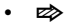
THIS NOTE IS COMMON FOR PRINTED WIRING BOARDS AND SCHEMATIC DIAGRAMS.

Note on Printed Wiring Boards :

- Through hole is omitted.
-  : Pattern on the side which is seen.
- Chip parts.



Note on Schematic Diagram :

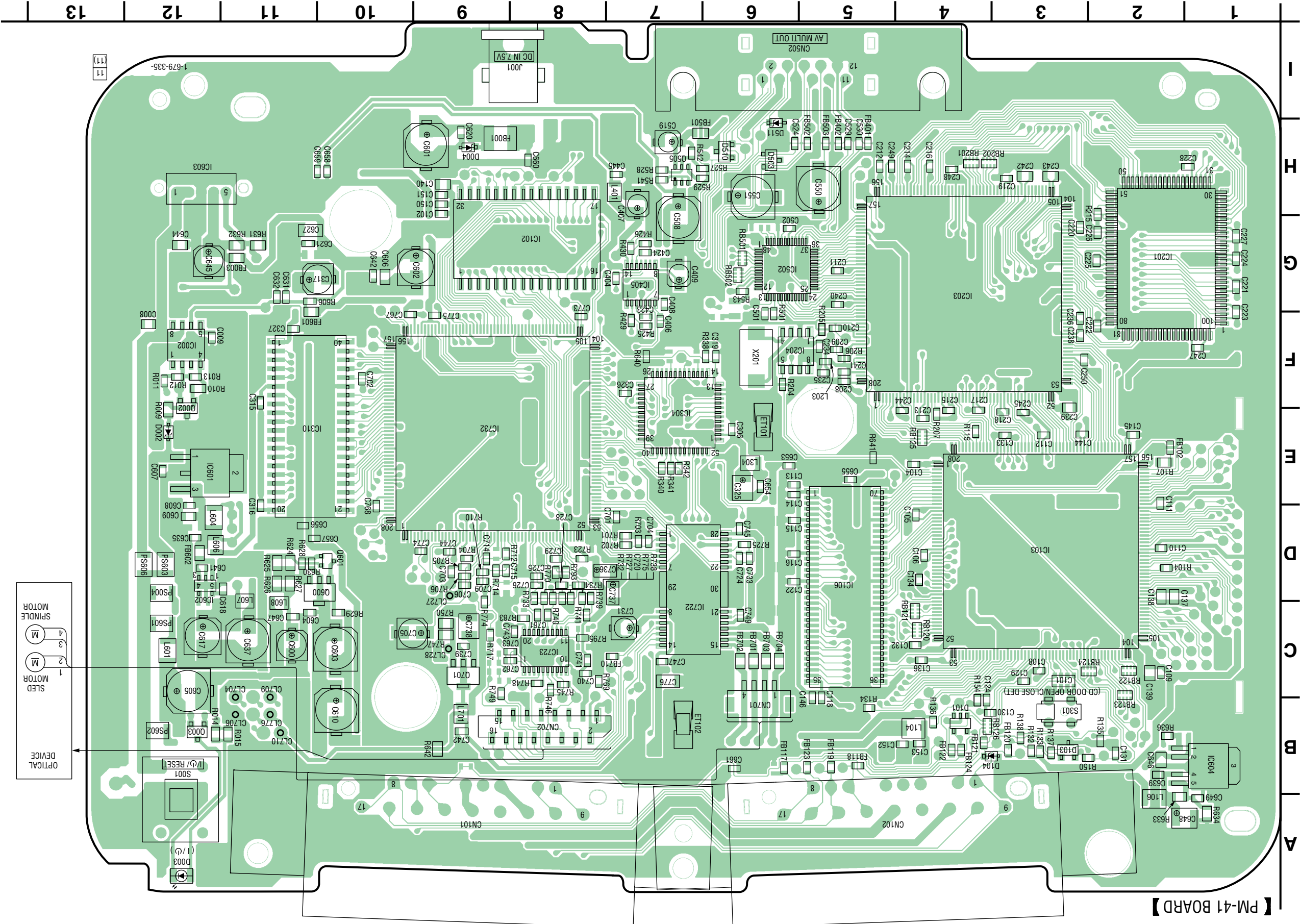
- Caution when replacing chip parts. New parts must be attached after removal of chip. Be careful not to heat the minus side of tantalum capacitor, because it is damaged by the heat.
- All capacitors are in μF unless otherwise noted. pF : μF 50 WV or less are not indicated except for electrolytics and tantalums.
- All resistors are in Ω and 1/16 W or less unless otherwise specified.
- Chip resistor are 1/10 W or 1/16 W unless otherwise noted. $\text{k}\Omega$: 1000 Ω , $\text{M}\Omega$: 1000 $\text{k}\Omega$.
-  : B+ Line. *
-  : IN/OUT direction of (+, -) B LINE. *
- Circled numbers refer to waveforms. *
- * Indicated by the color red.

Note :
The components identified by mark Δ or dotted line with mark Δ are critical for safety. Replace only with part number specified.

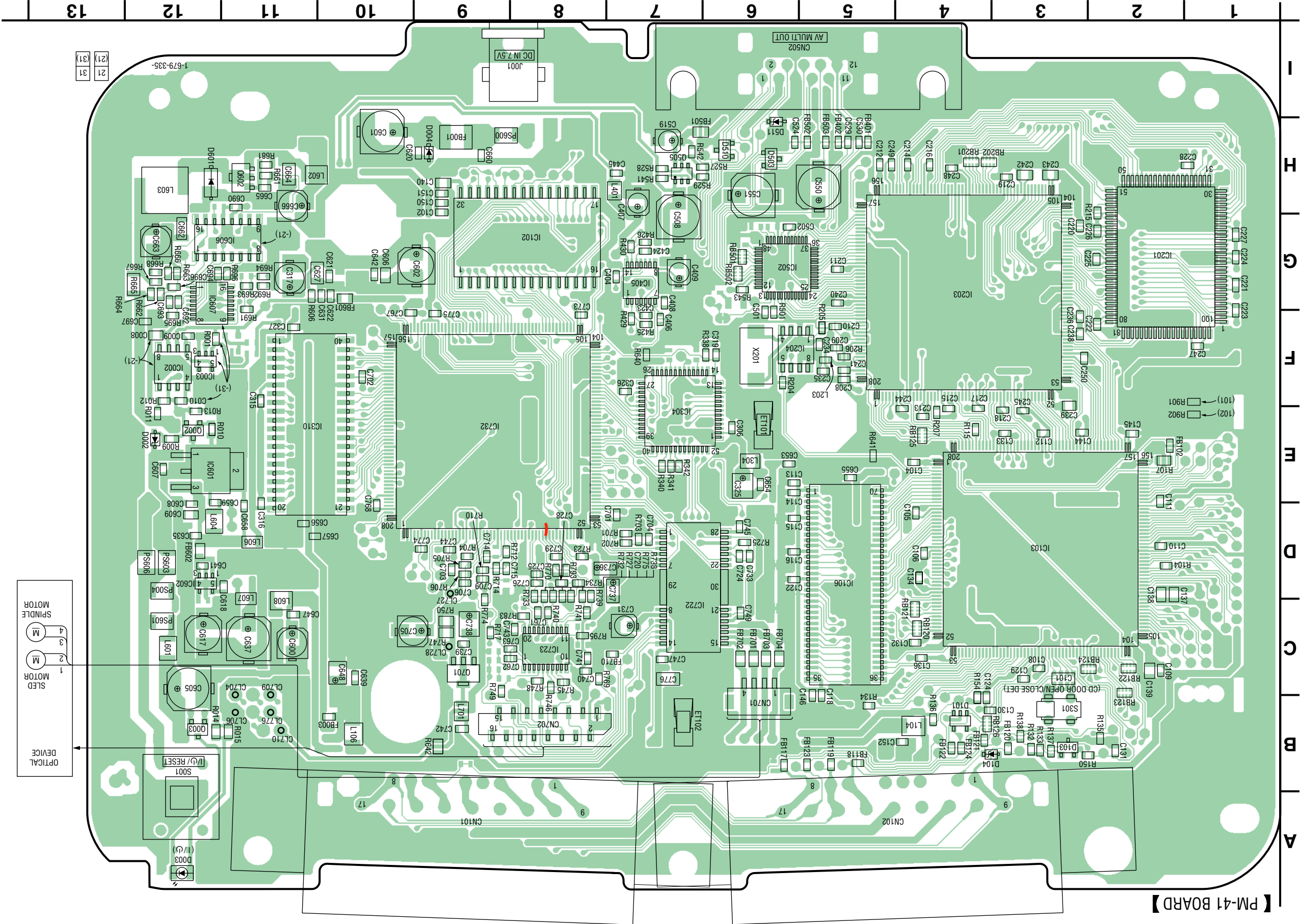
Note :
Les composants identifiés par une marque Δ sont critiques pour la sécurité. Ne les remplacer que par une pièce portant le numéro spécifié.

SECTION 5
DIAGRAMS

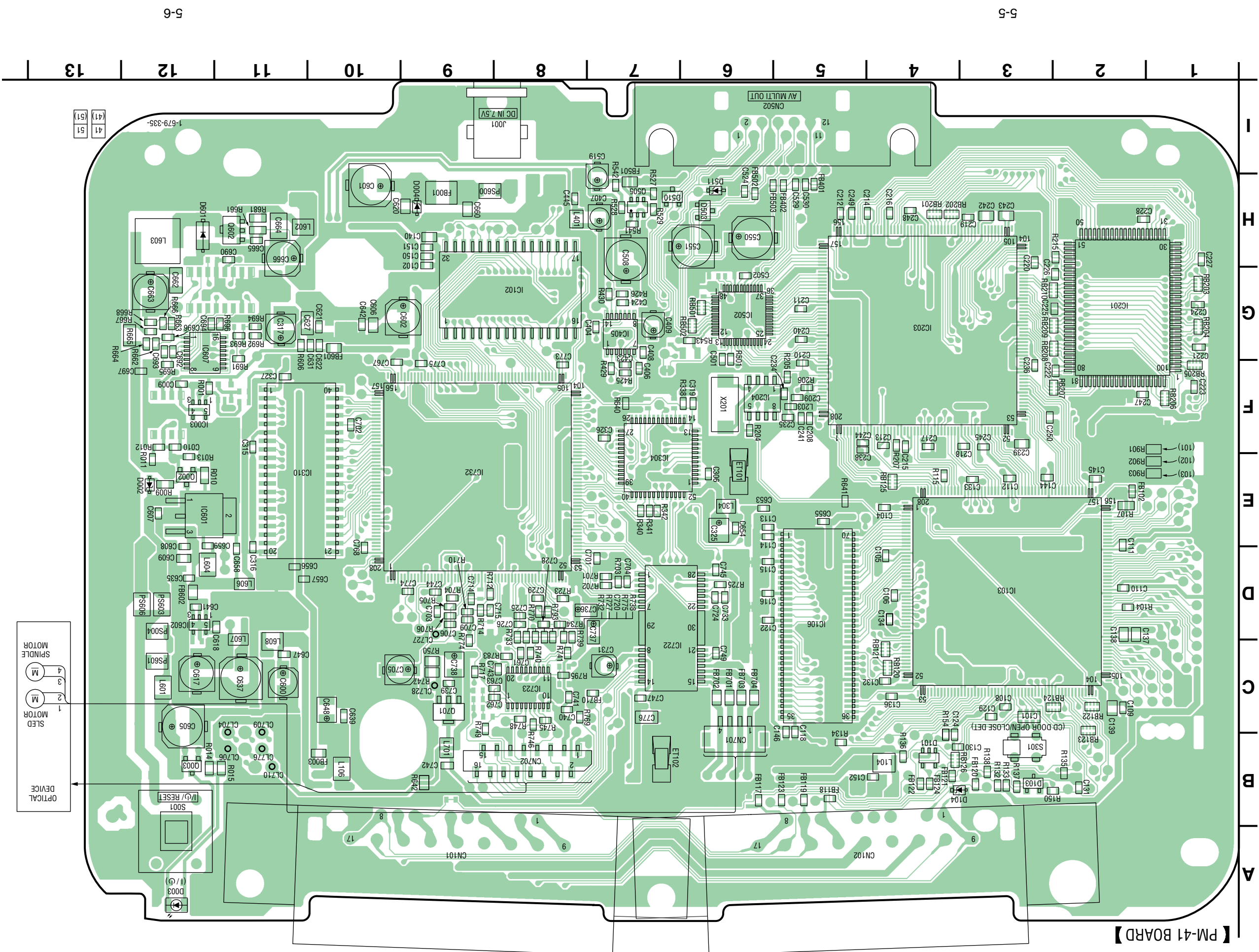
5-1. PRINTED WIRING BOARD (PM-41 (-11) BOARD) (SCPH-100)



5-2. PRINTED WIRING BOARD (PM-41 (-21/-31) BOARD) (SCP-H-100/101/102)

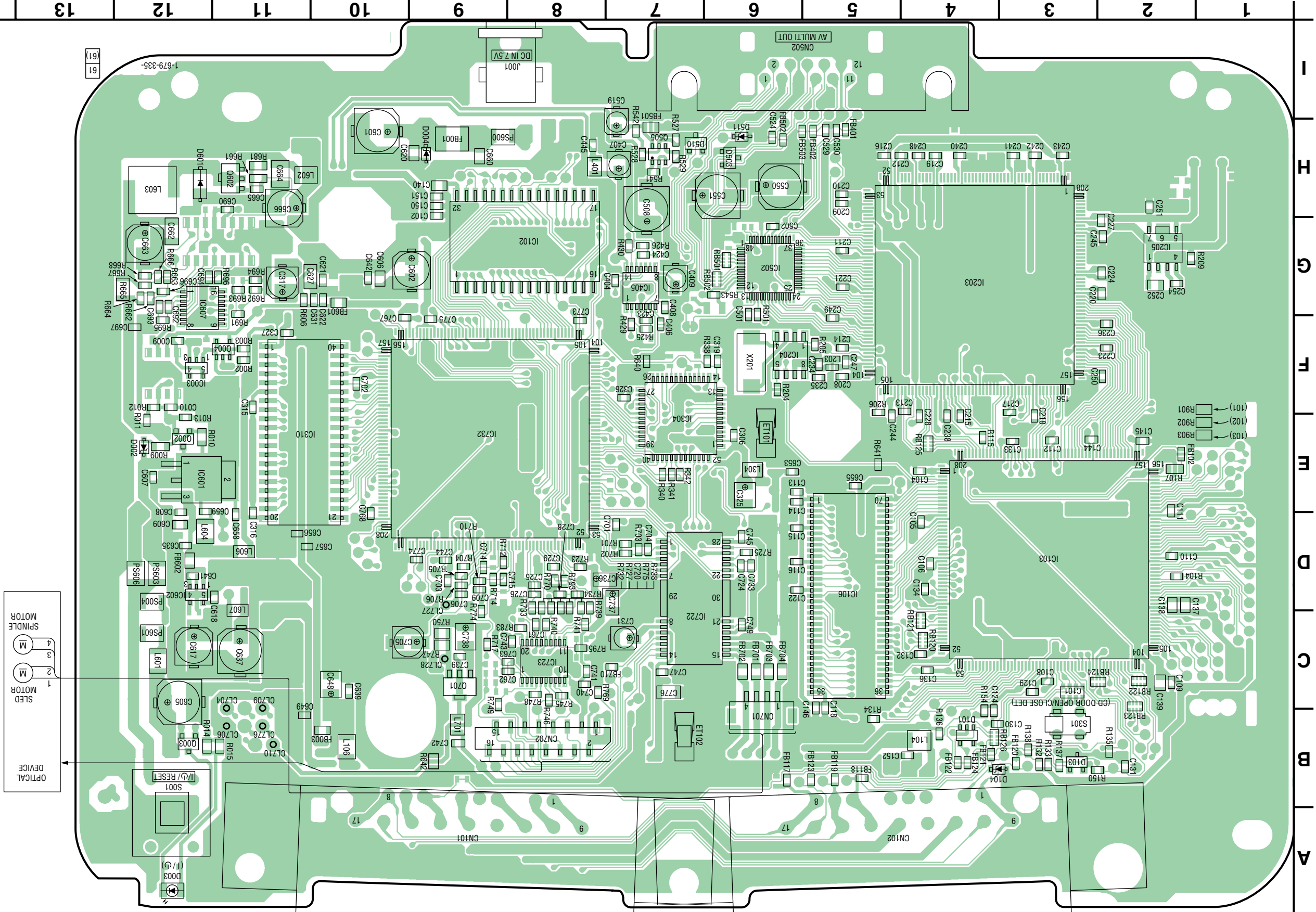


5-3. PRINTED WIRING BOARD (PM-41 (-41/-51) BOARD) (SCP-H-100/101/102/103)

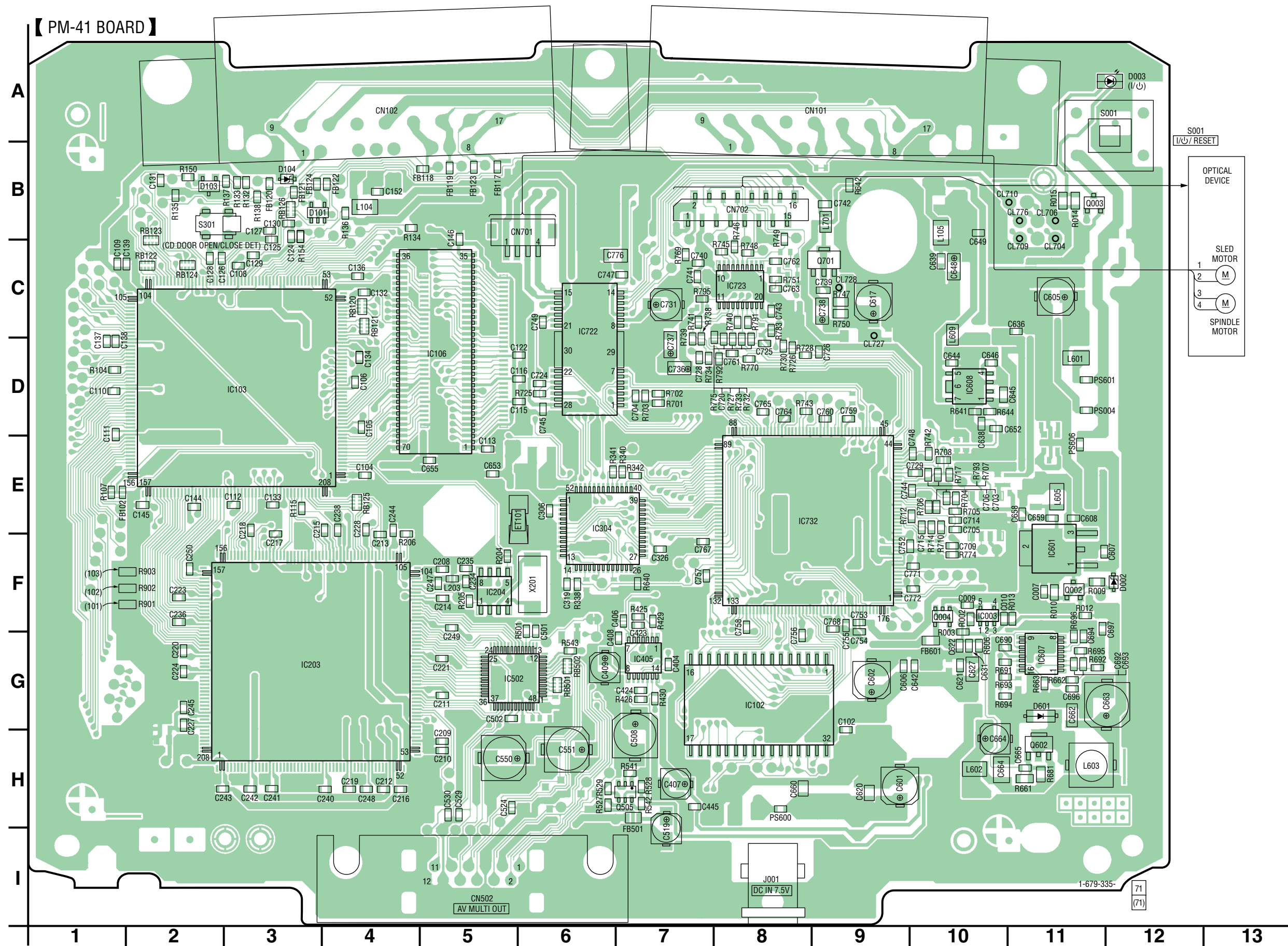


5-4. PRINTED WIRING BOARD (PM-41 (-61) BOARD) (SCPH-100/101/102/103)

【PM-41 BOARD】

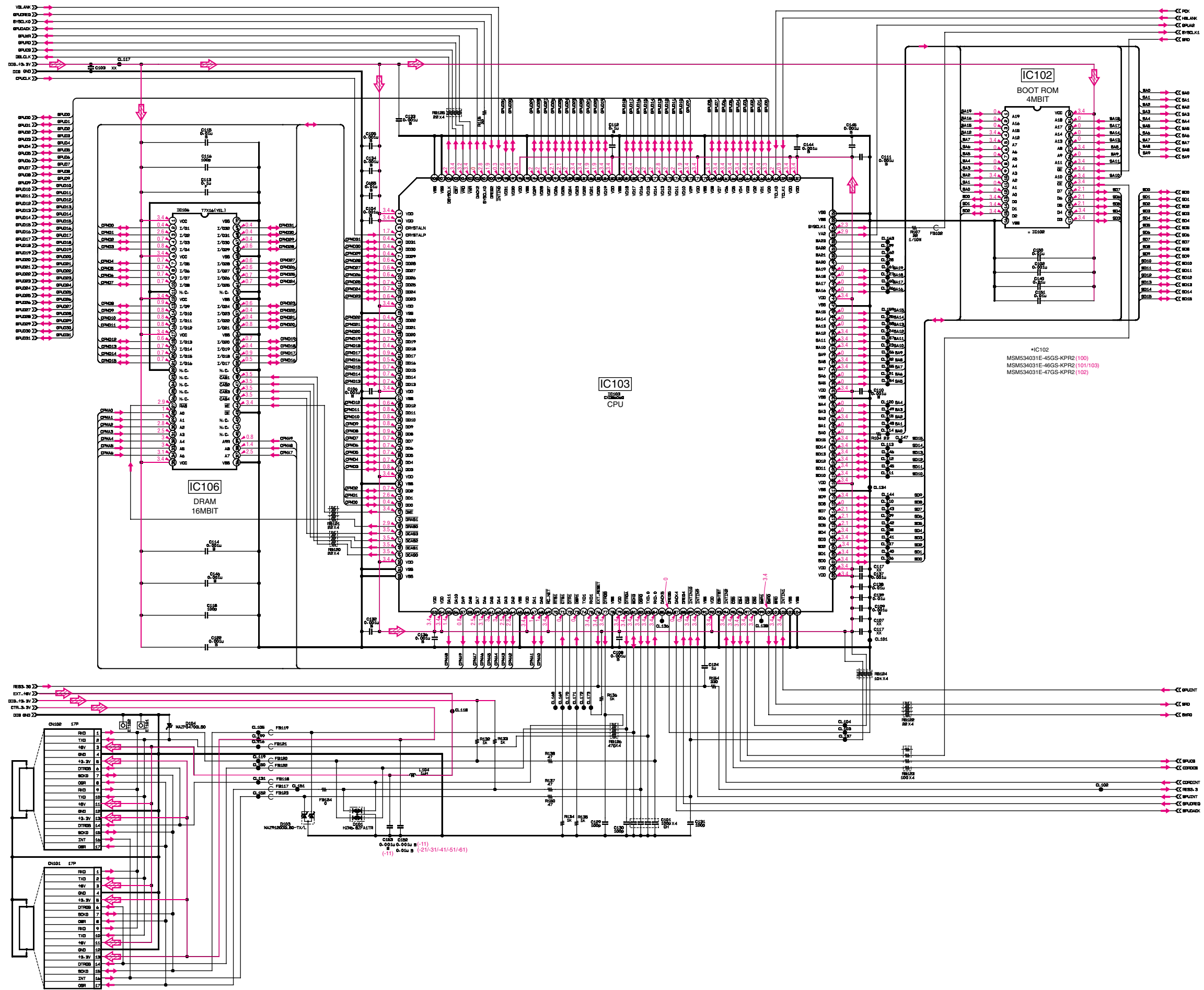


5-5. PRINTED WIRING BOARD (PM-41 (-71) BOARD) (SCPH-100/101/102/103)



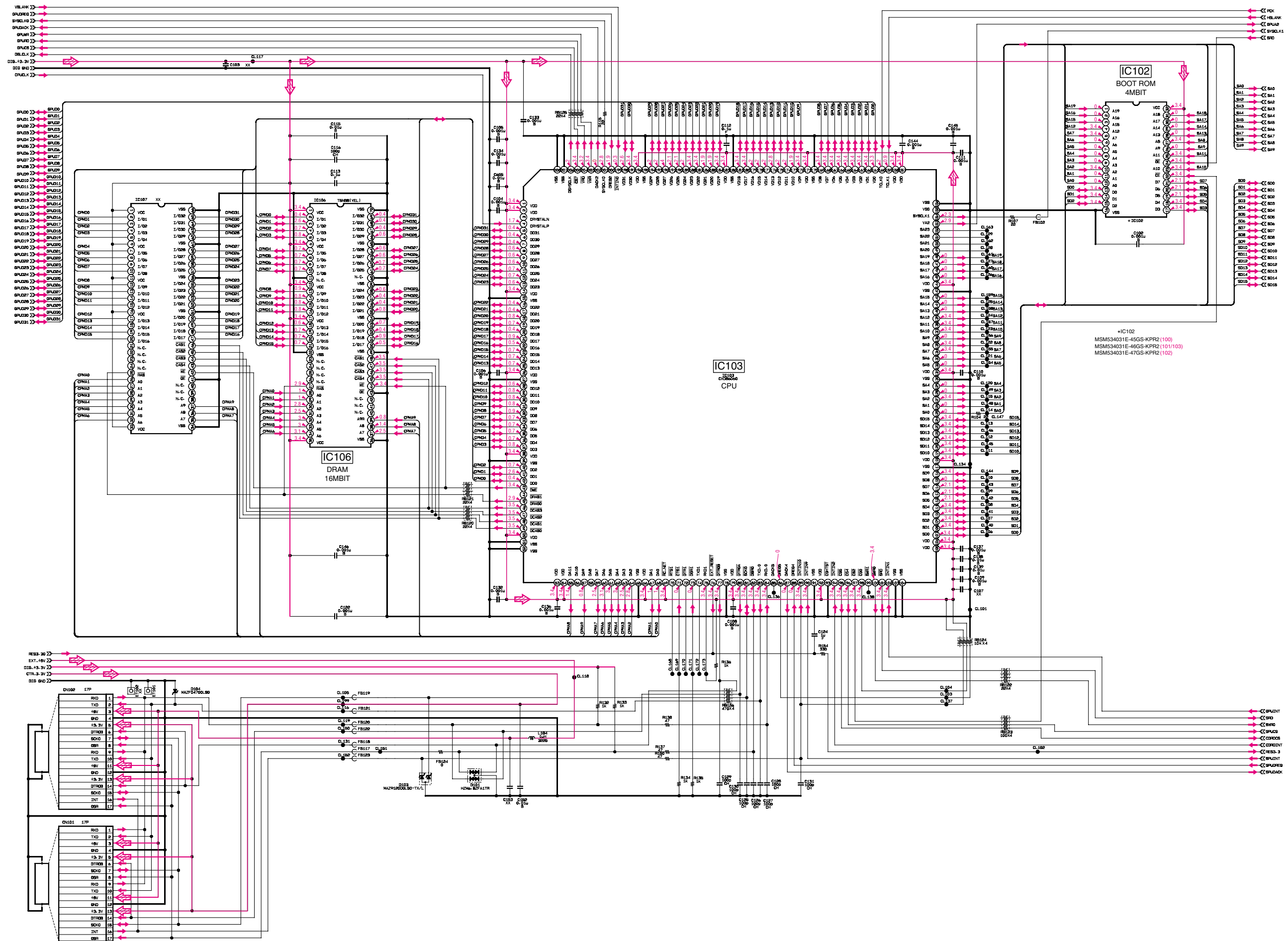
5-6. SCHEMATIC DIAGRAM (PM-41 (-11/-21/-31/-41/-51/-61) BOARD (1/15))

PM-41 (-11/-21/-31/-41/-51/-61) BOARD (1/15)

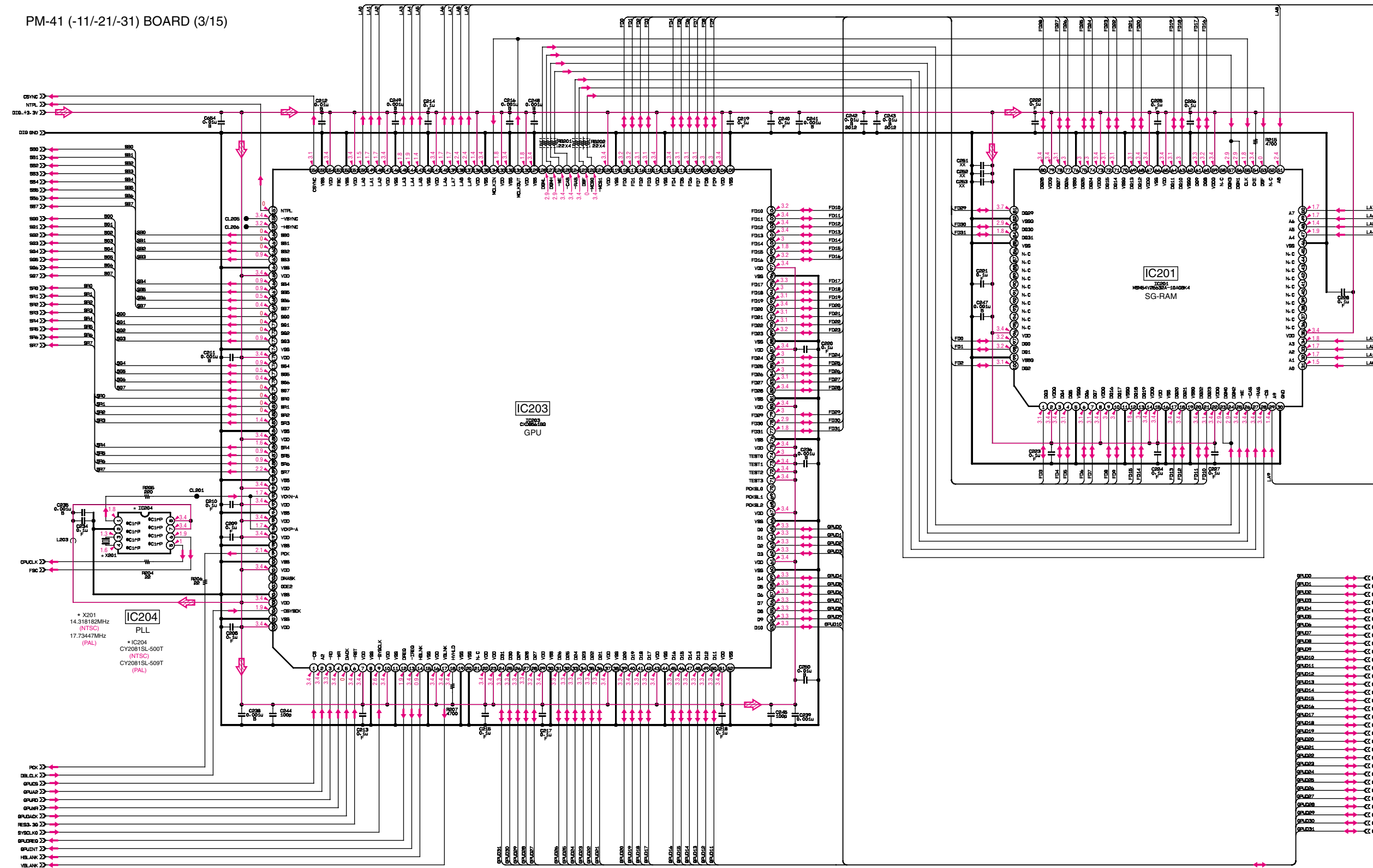


5-7. SCHEMATIC DIAGRAM (PM-41 (-71) BOARD (2/15))

PM-41 (-71) BOARD (2/15)

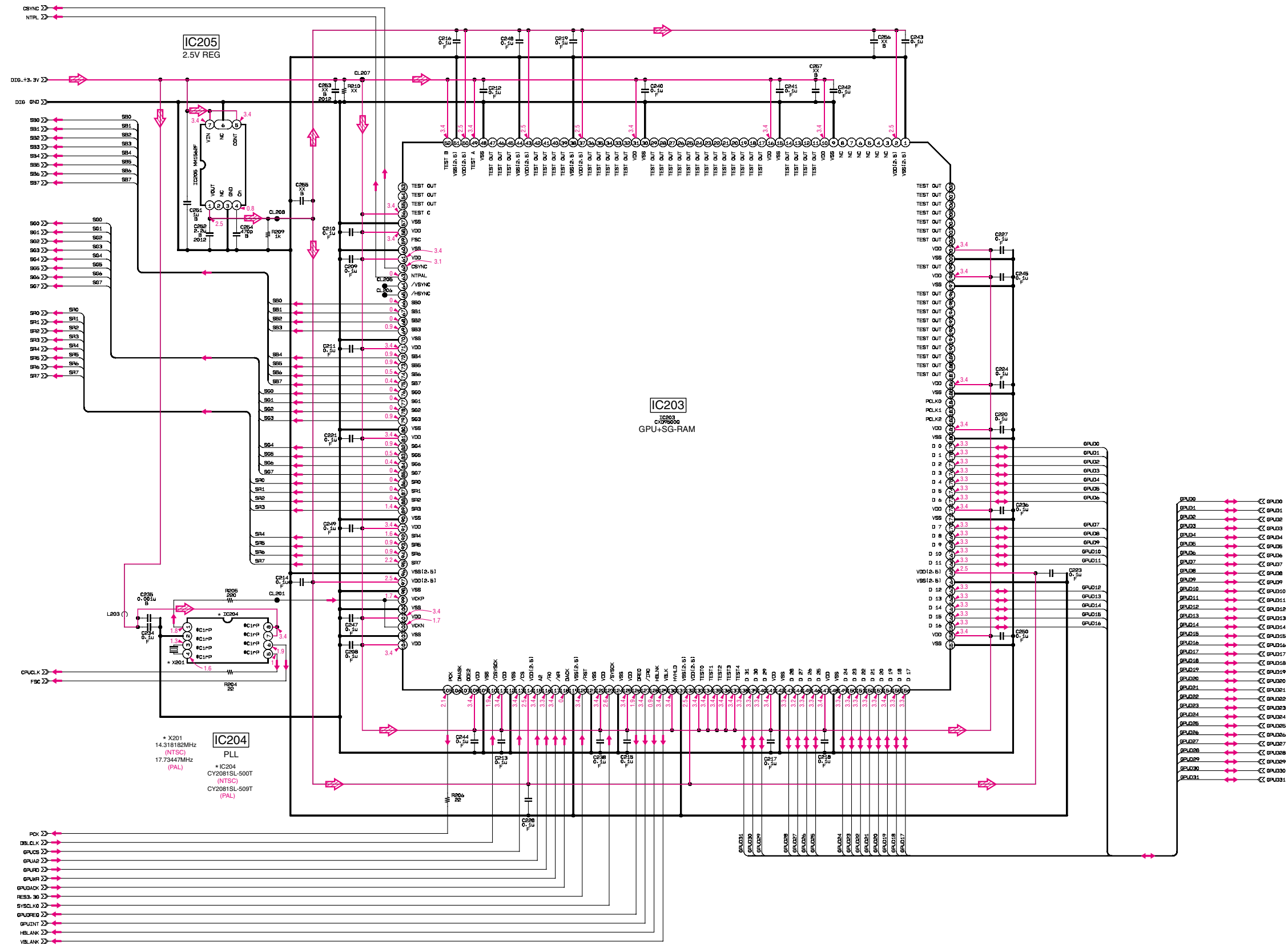


5-8. SCHEMATIC DIAGRAM (PM-41 (-11/-21/-31) BOARD (3/15))



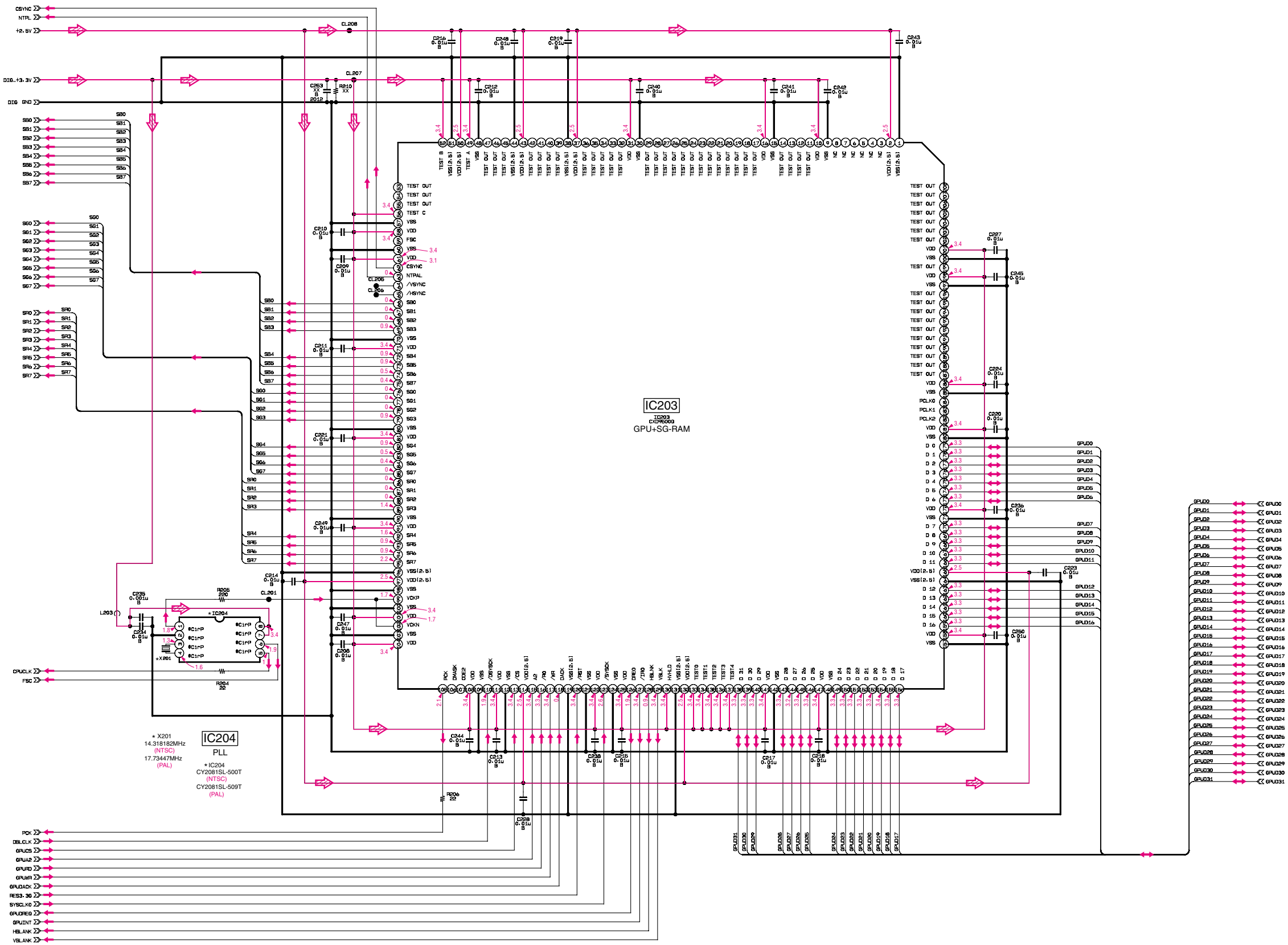
5-10. SCHEMATIC DIAGRAM (PM-41 (-61) BOARD (5/15))

PM-41 (-61) BOARD (5/15)



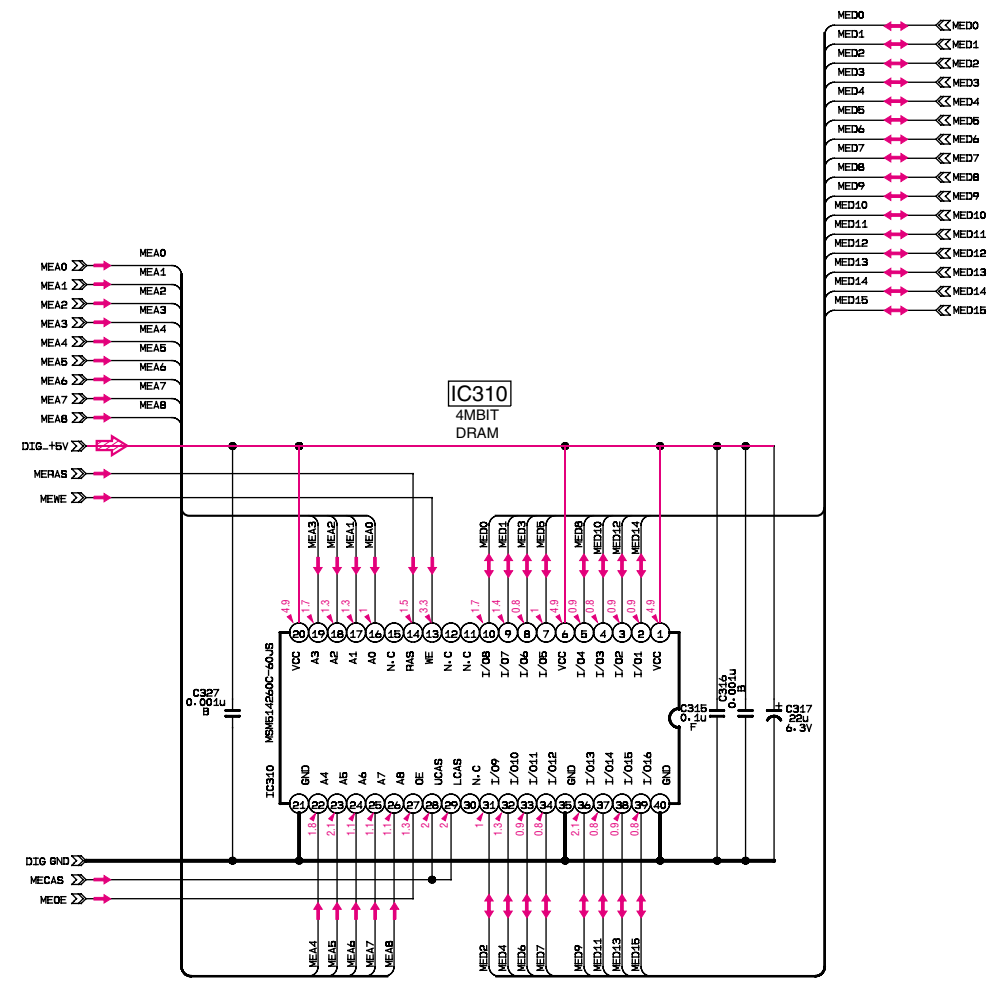
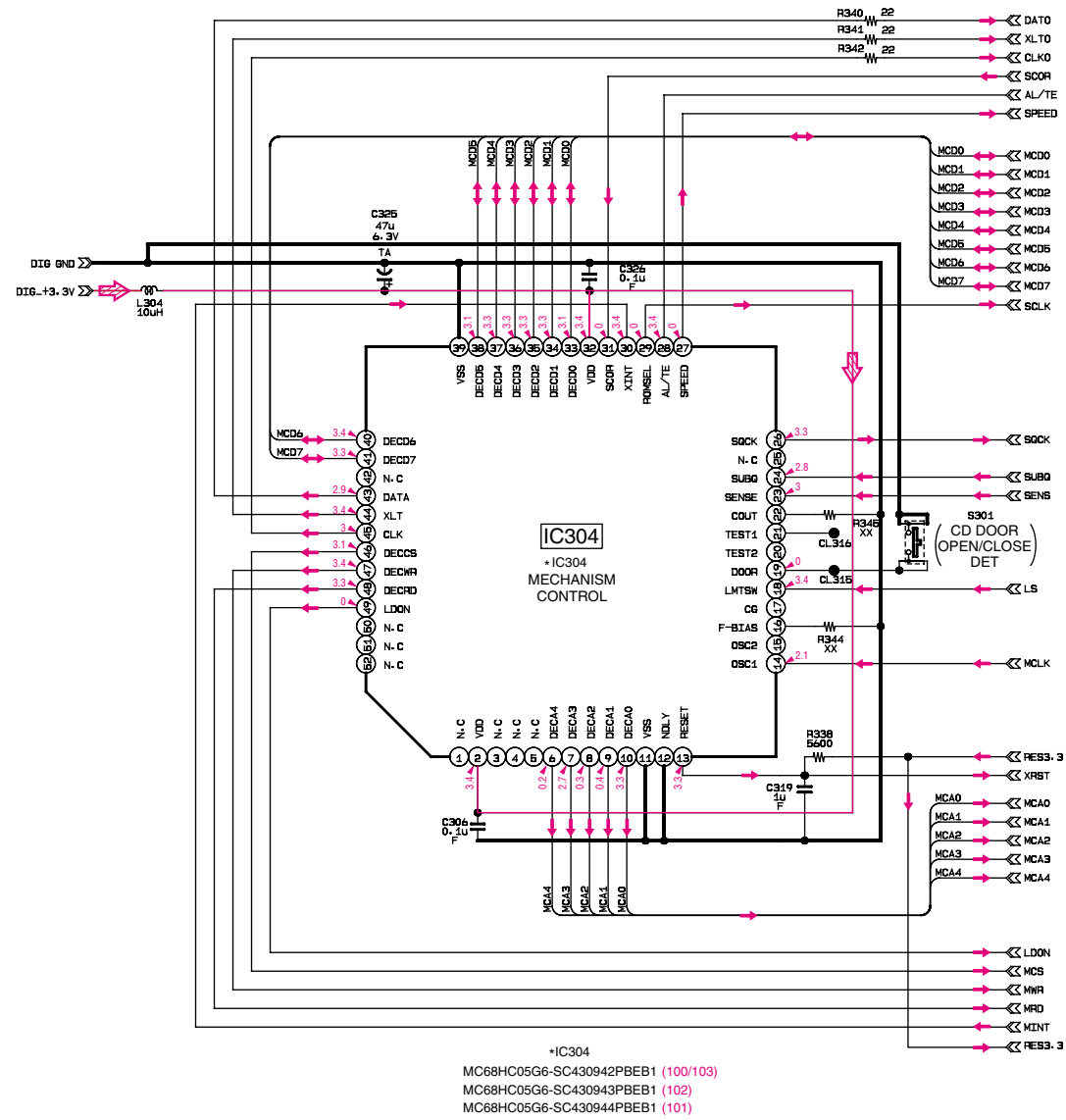
5-11. SCHEMATIC DIAGRAM (PM-41 (-71) BOARD (6/15))

PM-41 (-71) BOARD (6/15)

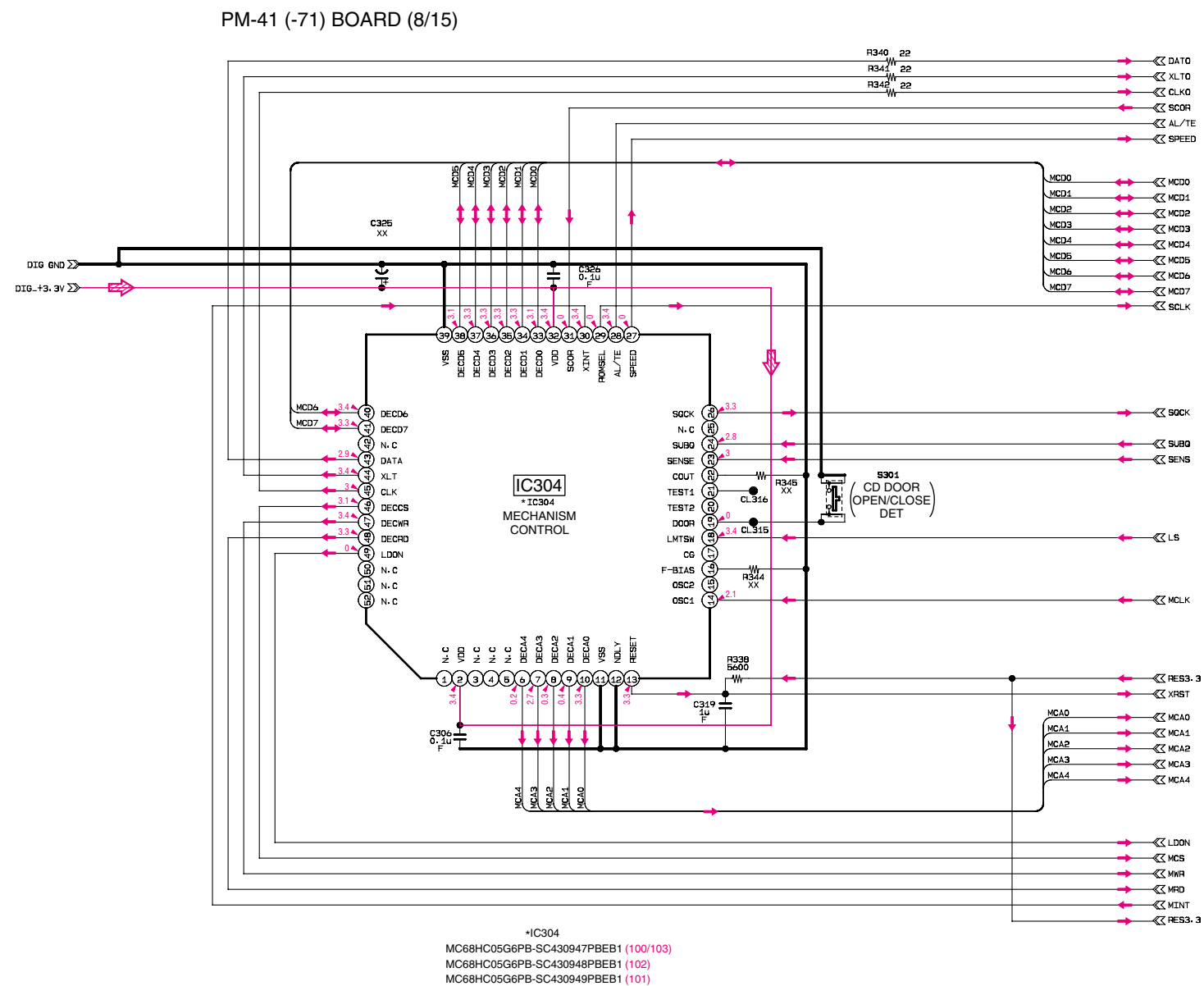


5-12. SCHEMATIC DIAGRAM (PM-41 (-11/-21/-31/-41/-51/-61) BOARD (7/15))

PM-41 (-11/-21/-31/-41/-51/-61) BOARD (7/15)

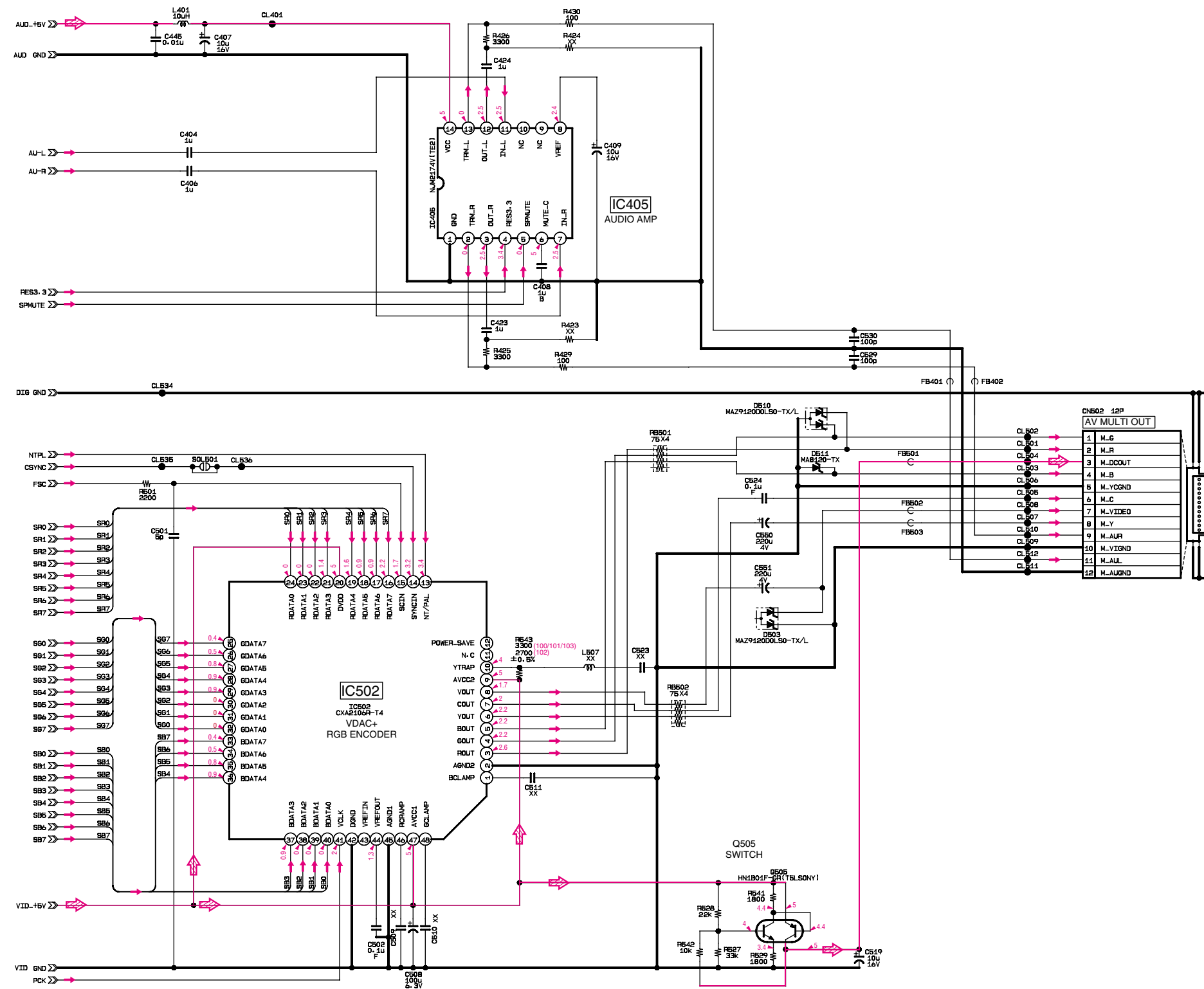


5-13. SCHEMATIC DIAGRAM (PM-41 (-71) BOARD (8/15))



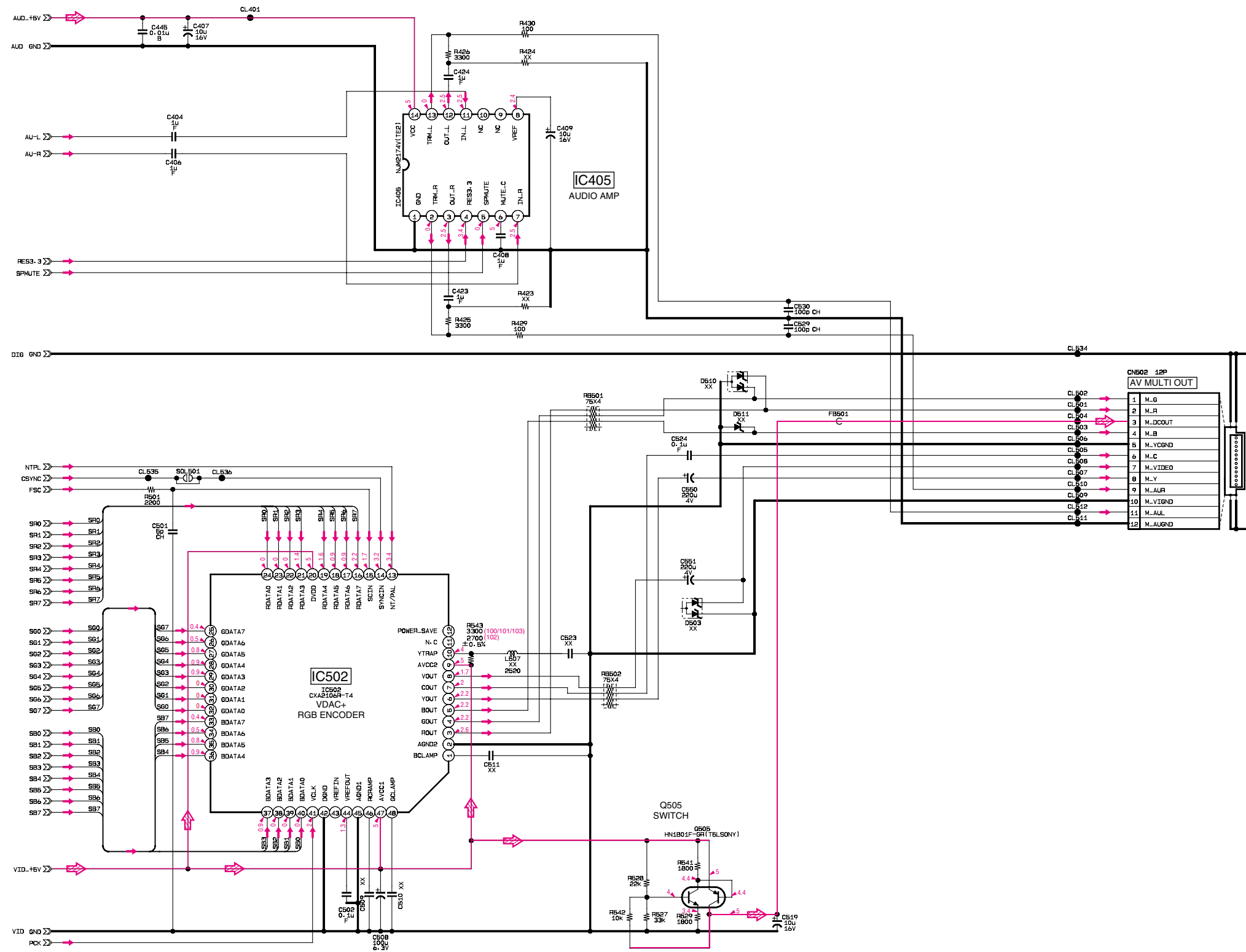
5-14. SCHEMATIC DIAGRAM (PM-41 (-11/-21/-31/-41/-51/-61) BOARD (9/15))

PM-41 (-11/-21/-31/-41/-51/-61) BOARD (9/15)



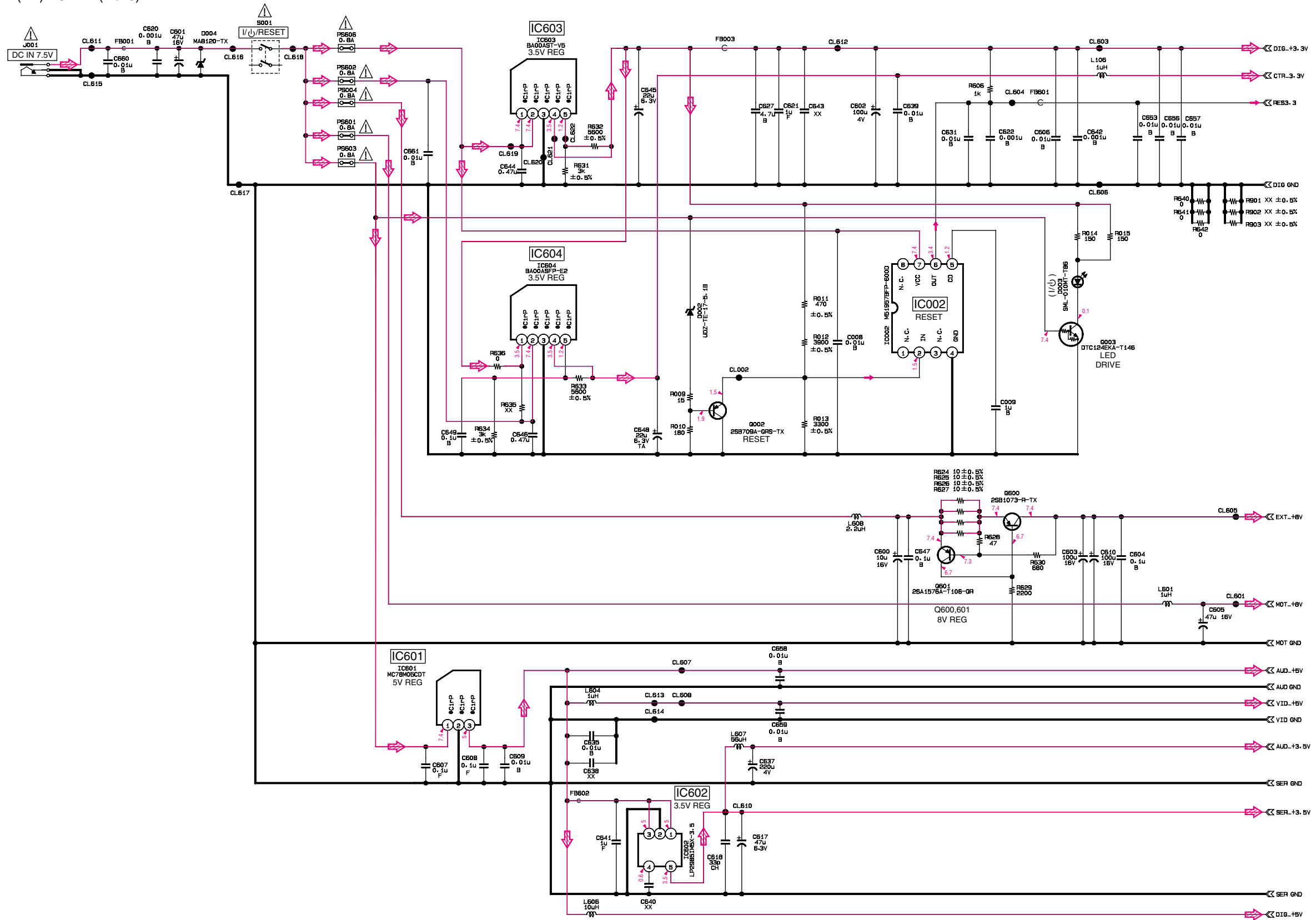
5-15. SCHEMATIC DIAGRAM (PM-41 (-71) BOARD (10/15))

PM-41 (-71) BOARD (10/15)



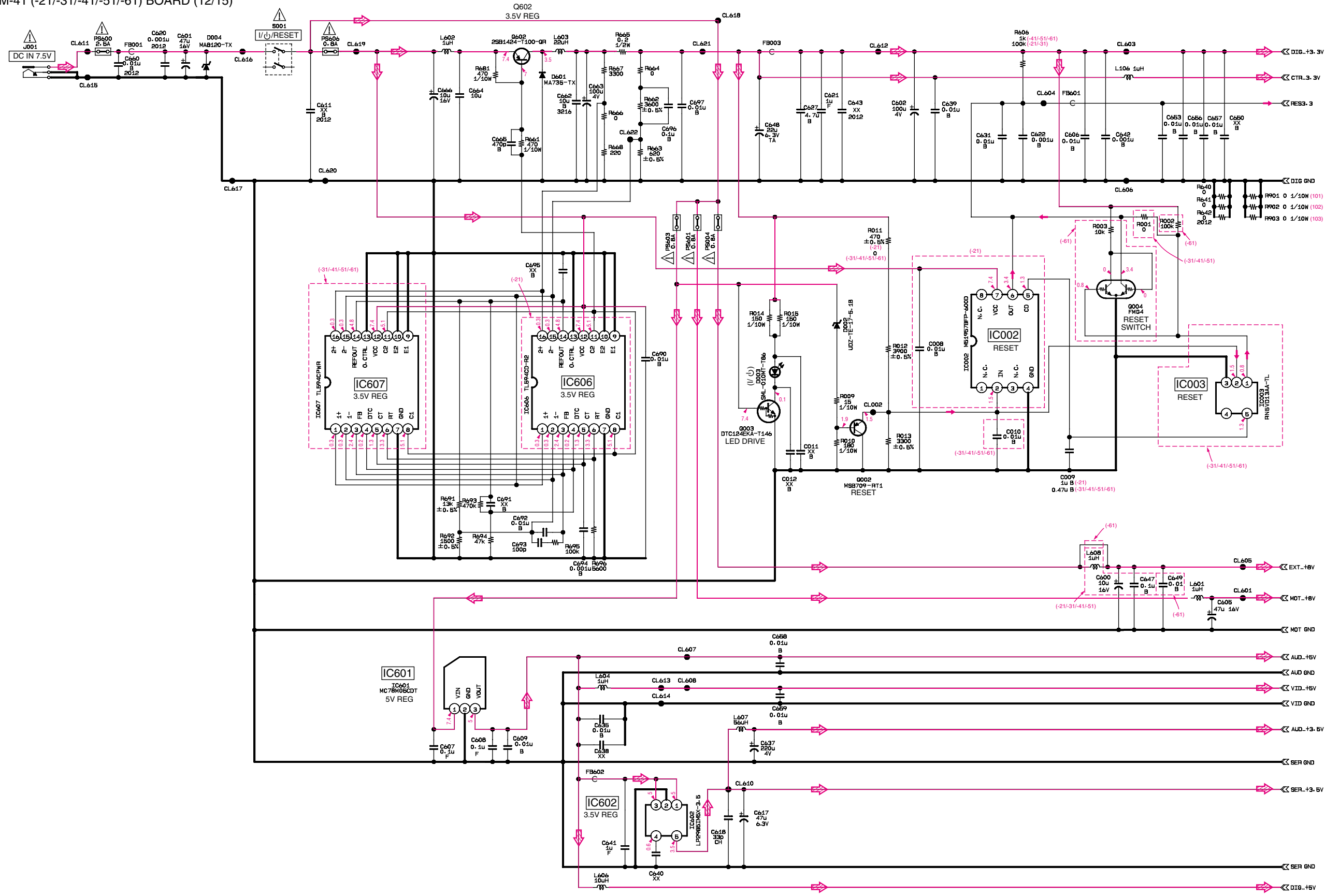
5-16. SCHEMATIC DIAGRAM (PM-41 (-11) BOARD (11/15))

PM-41 (-11) BOARD (11/15)



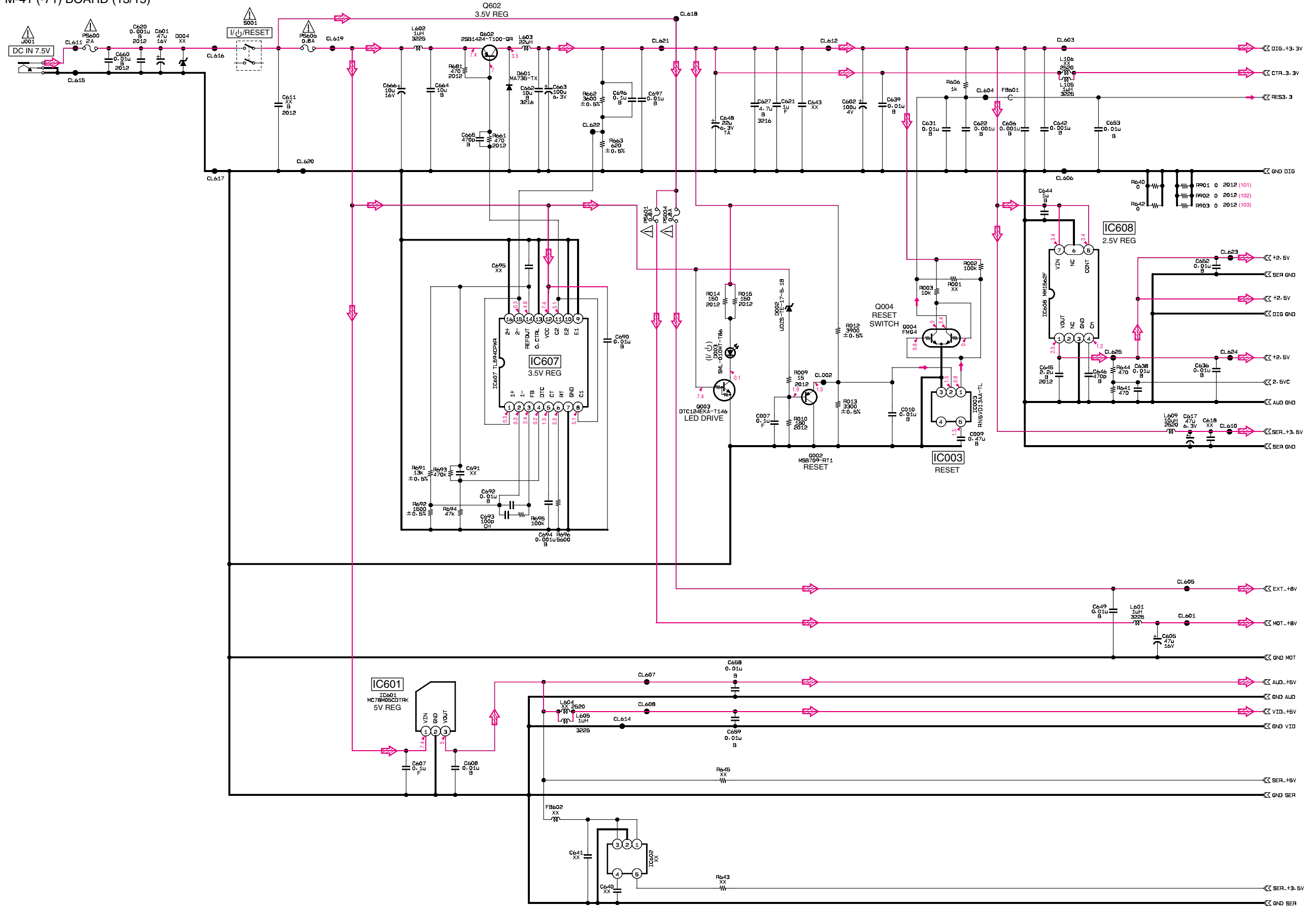
5-17. SCHEMATIC DIAGRAM (PM-41 (-21/-31/-41/-51/-61) BOARD (12/15))

PM-41 (-21/-31/-41/-51/-61) BOARD (12/15)



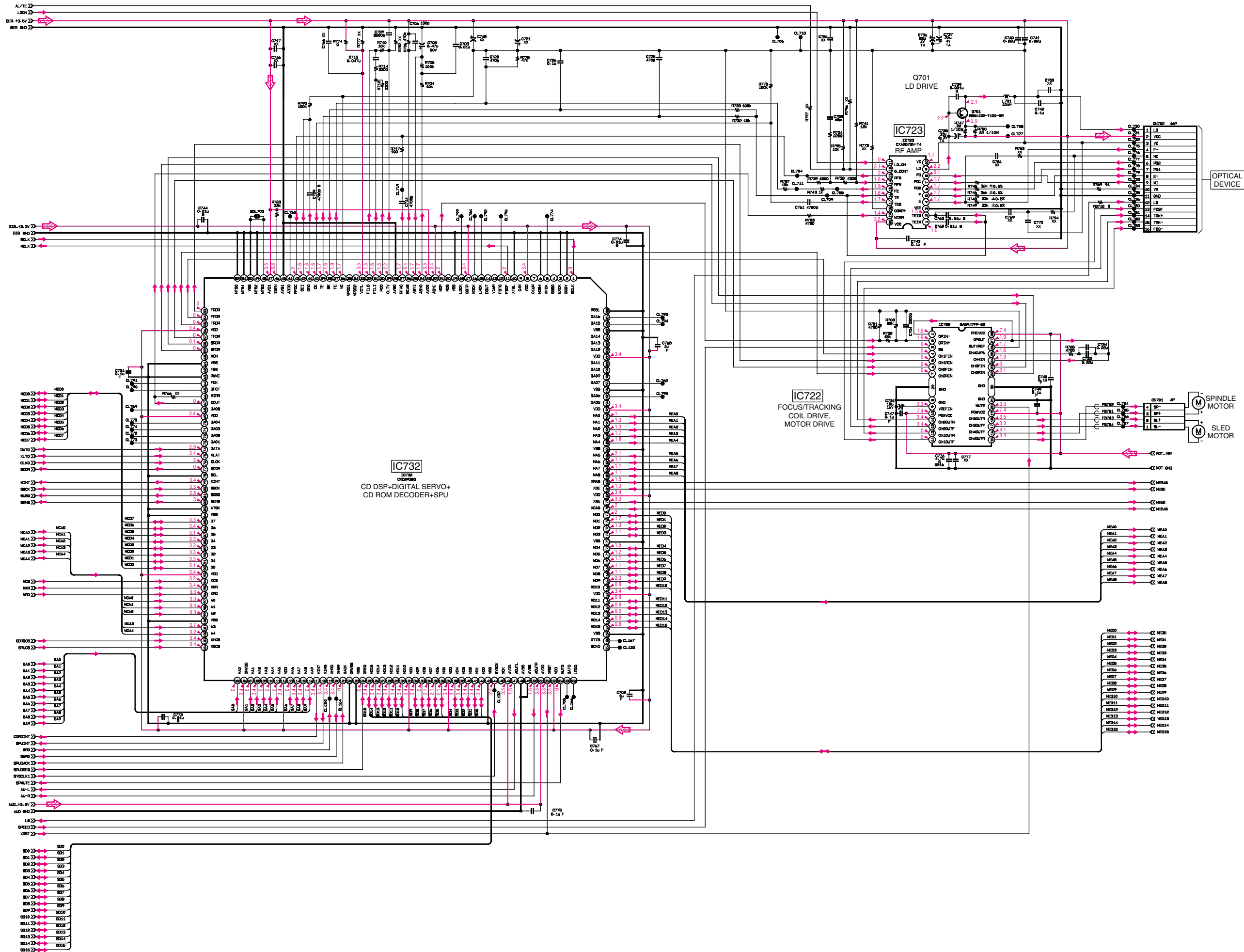
5-18. SCHEMATIC DIAGRAM (PM-41 (-71) BOARD (13/15))

PM-41 (-71) BOARD (13/15)



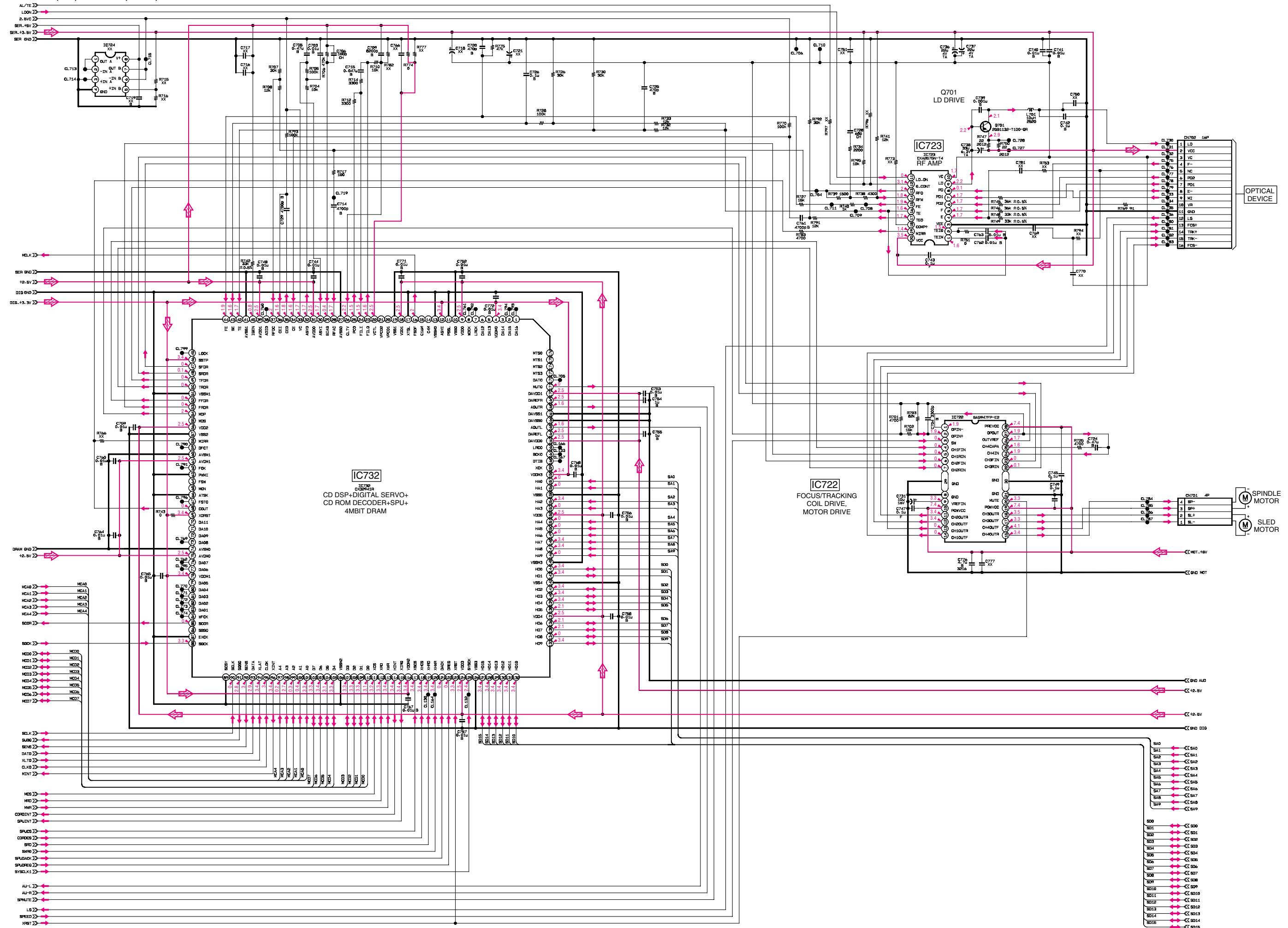
5-19. SCHEMATIC DIAGRAM (PM-41 (-11/-21/-31/-41/-51/-61) BOARD (14/15))

PM-41 (-11/-21/-31/-41/-51/-61) BOARD (14/15)



5-20. SCHEMATIC DIAGRAM (PM-41 (-71) BOARD (15/15))

PM-41 (-71) BOARD (15/15)



SECTION 6 ELECTRICAL PARTS LIST

NOTE: Due to standardization, replacements in the parts list may be different from the parts specified in the diagrams or the components used on the set. -XX and -X mean standardized parts, so they may have some difference from the original one. RESISTORS METAL: Metal-film resistor. F: nonflammable SEMICONDUCTORS In each case, u : μ, for example: uA.. : μA.. uPA.. : μPA.. uPB.. : μPB.. uPC.. : μPC.. uPD.. : μPD..

- CAPACITORS uF : μF COILS uH : μH

When indicating parts by reference number, please include the board.

- NOTE: SC Classification : S : Stocked parts O : Ordered parts U : Unsupplied parts

The components identified by mark Δ or dotted line with mark. Δ are critical for safety. Replace only with part number specified. Les composants identifiés par une marque Δ sont critiques pour la sécurité. Ne les remplacer que par une pièce portant le numéro spécifié.

Table with columns: SC, Ref. No., Part No., Description, Remark. Rows include parts like A-6713-742-A, A-6713-768-A, A-6713-776-A, A-6713-853-A, A-6713-854-A, A-6713-855-A, A-6713-864-A, A-6713-902-A, A-6713-903-A, A-6713-904-A, A-6713-906-A, A-6715-470-A, A-6715-471-A, A-6715-483-A, A-6715-484-A, C007, C008, C009, C009, C010, C101, C102, C104, C105, C106, C108, C109, C110, C111, C112, C113, C114, C115, C116, C118.

Table with columns: SC, Ref. No., Part No., Description, Remark. Rows include parts like C122, C124, C125, C126, C127, C128, C129, C130, C131, C132, C133, C134, C136, C137, C137, C138, C138, C139, C139, C140, C144, C145, C146, C150, C151, C152, C152, C153, C208, C208.

Table with columns: SC, Ref. No., Part No., Description, Remark. Rows include parts like C209, C209, C210, C210, C211, C211, C211, C212, C212, C213, C213, C214, C214, C215, C215, C216, C216, C216, C217, C217, C218, C218, C219, C219, C220, C220, C221, C221, C222.

Table with columns: SC, Ref. No., Part No., Description, Remark. Rows include parts like C223, C223, C224, C224, C225, C225, C226, C227, C227, C228, C228, C234, C234, C235, C236, C236, C236, C238, C238, C238, C239, C240, C240, C241, C241, C241, C242, C242, C242, C243.

SC	Ref. No.	Part No.	Description	Remark
0	C243	1-163-021-91	CERAMIC CHIP 0.01uF 10% 50V (-11/-21/-31/-41/-51)	
0	C243	1-164-156-11	CERAMIC CHIP 0.1uF 25V (-61)	
0	C244	1-162-927-11	CERAMIC CHIP 100PF 5% 50V (-11/-21/-31/-41/-51)	
0	C244	1-162-970-11	CERAMIC CHIP 0.01uF 10% 25V (-71)	
0	C244	1-164-156-11	CERAMIC CHIP 0.1uF 25V (-61)	
0	C245	1-162-927-11	CERAMIC CHIP 100PF 5% 50V (-11/-21/-31/-41/-51)	
0	C245	1-162-970-11	CERAMIC CHIP 0.01uF 10% 25V (-71)	
0	C245	1-164-156-11	CERAMIC CHIP 0.1uF 25V (-61)	
0	C247	1-162-964-11	CERAMIC CHIP 0.001uF 10% 50V (-11/-21/-31/-41/-51)	
0	C247	1-162-970-11	CERAMIC CHIP 0.01uF 10% 25V (-71)	
0	C247	1-164-156-11	CERAMIC CHIP 0.1uF 25V (-61)	
0	C248	1-162-964-11	CERAMIC CHIP 0.001uF 10% 50V (-11/-21/-31/-41/-51)	
0	C248	1-162-970-11	CERAMIC CHIP 0.01uF 10% 25V (-71)	
0	C248	1-164-156-11	CERAMIC CHIP 0.1uF 25V (-61)	
0	C249	1-162-964-11	CERAMIC CHIP 0.001uF 10% 50V (-11/-21/-31/-41/-51)	
0	C249	1-162-970-11	CERAMIC CHIP 0.01uF 10% 25V (-71)	
0	C249	1-164-156-11	CERAMIC CHIP 0.1uF 25V (-61)	
0	C250	1-162-970-11	CERAMIC CHIP 0.01uF 10% 25V (-11/-21/-31/-41/-51/-71)	
0	C250	1-164-156-11	CERAMIC CHIP 0.1uF 25V (-61)	
0	C251	1-125-837-91	CERAMIC CHIP 1uF 10% 6.3V (-61)	
0	C252	1-125-838-11	CERAMIC CHIP 2.2uF 10% 6.3V (-61)	
0	C254	1-162-962-11	CERAMIC CHIP 470PF 10% 50V (-61)	
0	C306	1-164-156-11	CERAMIC CHIP 0.1uF 25V	
0	C315	1-164-156-11	CERAMIC CHIP 0.1uF 25V (-11/-21/-31/-41/-51/-61)	
0	C316	1-162-964-11	CERAMIC CHIP 0.001uF 10% 50V (-11/-21/-31/-41/-51/-61)	
0	C317	1-124-778-00	ELECT CHIP 22uF 20% 6.3V (-11/-21/-31/-41/-51/-61)	
0	C319	1-115-156-11	CERAMIC CHIP 1uF 10V	
0	C325	1-110-569-11	TANTAL. CHIP 47uF 20% 6.3V (-11/-21/-31/-41/-51/-61)	
0	C326	1-164-156-11	CERAMIC CHIP 0.1uF 25V	
0	C327	1-162-964-11	CERAMIC CHIP 0.001uF 10% 50V (-11/-21/-31/-41/-51/-61)	

SC	Ref. No.	Part No.	Description	Remark
0	C404	1-115-156-11	CERAMIC CHIP 1uF 10V (-71)	
0	C404	1-125-837-91	CERAMIC CHIP 1uF 10% 6.3V (-11/-21/-31/-41/-51/-61)	
0	C406	1-115-156-11	CERAMIC CHIP 1uF 10V (-71)	
0	C406	1-125-837-91	CERAMIC CHIP 1uF 10% 6.3V (-11/-21/-31/-41/-51/-61)	
0	C407	1-124-779-00	ELECT CHIP 10uF 20% 16V (-71)	
0	C407	1-128-004-11	ELECT CHIP 10uF 20% 16V (-11/-21/-31/-41/-51/-61)	
0	C408	1-115-156-11	CERAMIC CHIP 1uF 10V (-71)	
0	C408	1-125-837-91	CERAMIC CHIP 1uF 10% 6.3V (-11/-21/-31/-41/-51/-61)	
0	C409	1-124-779-00	ELECT CHIP 10uF 20% 16V (-71)	
0	C409	1-128-004-11	ELECT CHIP 10uF 20% 16V (-11/-21/-31/-41/-51/-61)	
0	C423	1-115-156-11	CERAMIC CHIP 1uF 10V (-71)	
0	C423	1-125-837-91	CERAMIC CHIP 1uF 10% 6.3V (-11/-21/-31/-41/-51/-61)	
0	C424	1-115-156-11	CERAMIC CHIP 1uF 10V (-71)	
0	C424	1-125-837-91	CERAMIC CHIP 1uF 10% 6.3V (-11/-21/-31/-41/-51/-61)	
0	C445	1-162-970-11	CERAMIC CHIP 0.01uF 10% 25V	
0	C501	1-162-910-11	CERAMIC CHIP 5PF 0.25PF 50V	
0	C502	1-164-156-11	CERAMIC CHIP 0.1uF 25V	
0	C508	1-126-206-11	ELECT CHIP 100uF 20% 6.3V	
0	C519	1-124-779-00	ELECT CHIP 10uF 20% 16V (-71)	
0	C519	1-128-004-11	ELECT CHIP 10uF 20% 16V (-11/-21/-31/-41/-51/-61)	
0	C524	1-164-156-11	CERAMIC CHIP 0.1uF 25V	
0	C529	1-162-927-11	CERAMIC CHIP 100PF 5% 50V	
0	C530	1-162-927-11	CERAMIC CHIP 100PF 5% 50V	
0	C550	1-126-246-11	ELECT CHIP 220uF 20% 4V	
0	C551	1-126-246-11	ELECT CHIP 220uF 20% 4V	
0	C600	1-124-779-00	ELECT CHIP 10uF 20% 16V (-11/-21/-31/-41/-51)	
0	C601	1-126-204-11	ELECT CHIP 47uF 20% 16V (-11/-21/-31/-41/-51/-61)	
0	C601	1-137-765-21	ELECT CHIP 47uF 20% 16V (-71)	
0	C602	1-126-209-11	ELECT CHIP 100uF 20% 4V	
0	C603	1-117-681-11	ELECT CHIP 100uF 20% 16V (-11)	
0	C604	1-107-826-11	CERAMIC CHIP 0.1uF 10% 16V (-11)	
0	C605	1-126-204-11	ELECT CHIP 47uF 20% 16V (-11/-21/-31/-41/-51/-61)	
0	C605	1-137-765-21	ELECT CHIP 47uF 20% 16V (-71)	

SC	Ref. No.	Part No.	Description	Remark
0	C606	1-162-970-11	CERAMIC CHIP 0.01uF 10% 25V (-71)	
0	C606	1-163-021-91	CERAMIC CHIP 0.01uF 10% 50V (-11/-21/-31/-41/-51/-61)	
0	C607	1-164-156-11	CERAMIC CHIP 0.1uF 25V	
0	C608	1-162-970-11	CERAMIC CHIP 0.01uF 10% 25V (-71)	
0	C608	1-164-156-11	CERAMIC CHIP 0.1uF 25V (-11/-21/-31/-41/-51/-61)	
0	C609	1-163-021-91	CERAMIC CHIP 0.01uF 10% 50V (-11/-21/-31/-41/-51/-61)	
0	C610	1-117-681-11	ELECT CHIP 100uF 20% 16V (-11)	
0	C617	1-126-205-11	ELECT CHIP 47uF 20% 6.3V	
0	C618	1-162-921-11	CERAMIC CHIP 33PF 5% 50V (-11/-21/-31/-41/-51/-61)	
0	C620	1-162-964-11	CERAMIC CHIP 0.001uF 10% 50V (-11)	
0	C620	1-163-009-91	CERAMIC CHIP 0.001uF 10% 50V (-21/-31/-41/-51/-61/-71)	
0	C621	1-115-156-11	CERAMIC CHIP 1uF 10V	
0	C622	1-162-964-11	CERAMIC CHIP 0.001uF 10% 50V	
0	C627	1-115-566-11	CERAMIC CHIP 4.7uF 10% 10V	
0	C631	1-162-970-11	CERAMIC CHIP 0.01uF 10% 25V	
0	C635	1-162-970-11	CERAMIC CHIP 0.01uF 10% 25V (-11/-21/-31/-41/-51/-61)	
0	C636	1-162-970-11	CERAMIC CHIP 0.01uF 10% 25V (-71)	
0	C637	1-126-246-11	ELECT CHIP 220uF 20% 4V (-11/-21/-31/-41/-51/-61)	
0	C638	1-162-970-11	CERAMIC CHIP 0.01uF 10% 25V (-71)	
0	C639	1-162-970-11	CERAMIC CHIP 0.01uF 10% 25V	
0	C641	1-115-156-11	CERAMIC CHIP 1uF 10V (-11/-21/-31/-41/-51/-61)	
0	C642	1-162-964-11	CERAMIC CHIP 0.001uF 10% 50V	
0	C644	1-125-837-91	CERAMIC CHIP 1uF 10% 6.3V (-71)	
0	C644	1-164-005-11	CERAMIC CHIP 0.47uF 25V (-11)	
0	C645	1-124-778-00	ELECT CHIP 22uF 20% 6.3V (-11)	
0	C645	1-125-838-11	CERAMIC CHIP 2.2uF 10% 6.3V (-71)	
0	C646	1-162-962-11	CERAMIC CHIP 470PF 10% 50V (-71)	
0	C646	1-164-005-11	CERAMIC CHIP 0.47uF 25V (-11)	
0	C647	1-107-826-11	CERAMIC CHIP 0.1uF 10% 16V (-11/-21/-31/-41/-51)	
0	C648	1-104-849-91	TANTAL. CHIP 22uF 20% 6.3V (-11/-21/-31/-41/-51/-61)	
0	C648	1-119-750-11	TANTAL. CHIP 22uF 20% 6.3V (-71)	
0	C649	1-107-826-11	CERAMIC CHIP 0.1uF 10% 16V (-11)	

SC	Ref. No.	Part No.	Description	Remark
0	C649	1-162-970-11	CERAMIC CHIP 0.01uF 10% 25V (-61/-71)	
0	C652	1-162-970-11	CERAMIC CHIP 0.01uF 10% 25V (-71)	
0	C653	1-162-970-11	CERAMIC CHIP 0.01uF 10% 25V	
0	C654	1-162-970-11	CERAMIC CHIP 0.01uF 10% 25V (-11/-21/-31/-41/-51)	
0	C655	1-162-970-11	CERAMIC CHIP 0.01uF 10% 25V	
0	C656	1-162-970-11	CERAMIC CHIP 0.01uF 10% 25V (-11/-21/-31/-41/-51/-61)	
0	C657	1-162-970-11	CERAMIC CHIP 0.01uF 10% 25V (-11/-21/-31/-41/-51/-61)	
0	C658	1-162-970-11	CERAMIC CHIP 0.01uF 10% 25V	
0	C659	1-162-970-11	CERAMIC CHIP 0.01uF 10% 25V	
0	C660	1-162-970-11	CERAMIC CHIP 0.01uF 10% 25V (-11)	
0	C660	1-163-021-91	CERAMIC CHIP 0.01uF 10% 50V (-21/-31/-41/-51/-61/-71)	
0	C661	1-162-970-11	CERAMIC CHIP 0.01uF 10% 25V (-11)	
0	C662	1-127-692-11	CERAMIC CHIP 10uF 10% 6.3V (-21/-31/-41/-51/-61/-71)	
0	C663	1-126-206-11	ELECT CHIP 100uF 20% 6.3V (-71)	
0	C663	1-126-209-11	ELECT CHIP 100uF 20% 4V (-21/-31/-41/-51/-61)	
0	C664	1-117-808-91	CERAMIC CHIP 10uF 10% 10V (-21/-31/-41/-51/-61/-71)	
0	C665	1-162-962-11	CERAMIC CHIP 470PF 10% 50V (-21/-31/-41/-51/-61/-71)	
0	C666	1-124-779-00	ELECT CHIP 10uF 20% 16V (-21/-31/-41/-51/-61/-71)	
0	C690	1-162-970-11	CERAMIC CHIP 0.01uF 10% 25V (-21/-31/-41/-51/-61/-71)	
0	C692	1-162-970-11	CERAMIC CHIP 0.01uF 10% 25V (-21/-31/-41/-51/-61/-71)	
0	C693	1-162-927-11	CERAMIC CHIP 100PF 5% 50V (-21/-31/-41/-51/-61/-71)	
0	C694	1-162-964-11	CERAMIC CHIP 0.001uF 10% 50V (-21/-31/-41/-51/-61/-71)	
0	C696	1-107-826-11	CERAMIC CHIP 0.1uF 10% 16V (-21/-31/-41/-51/-61/-71)	
0	C697	1-162-970-11	CERAMIC CHIP 0.01uF 10% 25V (-21/-31/-41/-51/-61/-71)	
0	C701	1-164-156-11	CERAMIC CHIP 0.1uF 25V (-11/-21/-31/-41/-51/-61)	
0	C702	1-115-156-11	CERAMIC CHIP 1uF 10V (-11/-21/-31/-41/-51/-61)	
0	C703	1-162-970-11	CERAMIC CHIP 0.01uF 10% 25V	
0	C704	1-162-967-11	CERAMIC CHIP 0.0033uF 10% 50V	
0	C705	1-125-891-11	CERAMIC CHIP 0.47uF 10% 10V (-71)	
0	C705	1-126-191-11	ELECT CHIP 0.47uF 20% 50V (-11/-21/-31/-41/-51/-61)	
0	C706	1-162-927-11	CERAMIC CHIP 100PF 5% 50V	
0	C709	1-164-174-11	CERAMIC CHIP 0.0082uF 10% 25V	
0	C714	1-162-968-11	CERAMIC CHIP 0.0047uF 10% 50V	

SC	Ref. No.	Part No.	Description	Remark	SC	Ref. No.	Part No.	Description	Remark	SC	Ref. No.	Part No.	Description	Remark	SC	Ref. No.	Part No.	Description	Remark
O	C715	1-165-176-11	CERAMIC CHIP	0.047uF 10% 16V	O	C760	1-162-970-11	CERAMIC CHIP	0.01uF 10% 25V (-71)						S	IC204	8-759-496-22	IC	CY2081SL-500T (NTSC)
O	C720	1-162-962-11	CERAMIC CHIP	470PF 10% 50V	O	C761	1-162-968-11	CERAMIC CHIP	0.0047uF 10% 50V	O	ET101	1-694-592-31	ON BOARD CONTACT		S	IC204	8-759-496-23	IC	CY2081SL-509T (PAL)
O	C724	1-115-467-11	CERAMIC CHIP	0.22uF 10% 10V (-11/-21/-31/-41/-51/-61)	O	C762	1-162-970-11	CERAMIC CHIP	0.01uF 10% 25V	O	ET102	1-694-592-31	ON BOARD CONTACT	(-11/-21/-31/-41/-51/-61)	S	IC205	8-759-837-19	IC	MM1562FFBE (-61)
O	C724	1-125-891-11	CERAMIC CHIP	0.47uF 10% 10V (-71)	O	C763	1-162-970-11	CERAMIC CHIP	0.01uF 10% 25V						S	IC304	6-800-550-01	IC	MC68HC05G6PB-SC430947PBEB1 (100:-71,103:-71)
O	C725	1-162-962-11	CERAMIC CHIP	470PF 10% 50V	O	C764	1-162-970-11	CERAMIC CHIP	0.01uF 10% 25V (-71)						S	IC304	6-800-551-01	IC	MC68HC05G6PB-SC430948PBEB1 (102:-71)
O	C726	1-107-826-11	CERAMIC CHIP	0.1uF 10% 16V	O	C765	1-162-970-11	CERAMIC CHIP	0.01uF 10% 25V (-71)	O	FB001	1-469-176-21	INDUCTOR, FERRITE BEAD	(-11/-21/-31/-41/-51/-61)	S	IC304	6-800-552-01	IC	MC68HC05G6PB-SC430949PBEB1 (101:-71)
O	C728	1-162-925-11	CERAMIC CHIP	68PF 5% 50V	O	C767	1-162-970-11	CERAMIC CHIP	0.01uF 10% 25V (-71)	O	FB003	1-469-324-21	FERRITE, EMI (SMD)	(-11/-21/-31/-41/-51/-61)	S	IC304	8-759-598-55	IC	MC68HC05G6-SC430942PBEB1 (100:-11/-21/-31/-41/-51/-61, 103:-41/-51/-61)
O	C729	1-162-968-11	CERAMIC CHIP	0.0047uF 10% 50V	O	C767	1-164-156-11	CERAMIC CHIP	0.1uF 25V (-11/-21/-31/-41/-51/-61)	O	FB102	1-469-110-21	FERRITE, EMI (SMD)		S	IC304	8-759-598-56	IC	MC68HC05G6-SC430943PBEB1 (102:-21/-31/-41/-51/-61)
O	C731	1-124-779-00	ELECT CHIP	10uF 20% 16V (-71)	O	C768	1-115-156-11	CERAMIC CHIP	1uF 10V (-11/-21/-31/-41/-51/-61)	O	FB117	1-469-667-21	FERRITE, EMI (SMD)		S	IC304	8-759-598-57	IC	MC68HC05G6-SC430944PBEB1 (101:-21/-31/-41/-51/-61)
O	C731	1-128-004-11	ELECT CHIP	10uF 20% 16V (-11/-21/-31/-41/-51/-61)	O	C768	1-162-970-11	CERAMIC CHIP	0.01uF 10% 25V (-71)	O	FB118	1-469-667-21	FERRITE, EMI (SMD)		S	IC310	8-759-342-01	IC	MB814260-70PJER (-11/-21/-31/-41/-51/-61)
O	C733	1-115-467-11	CERAMIC CHIP	0.22uF 10% 10V (-11/-21/-31/-41/-51/-61)	O	C768	1-162-970-11	CERAMIC CHIP	0.01uF 10% 25V (-71)	O	FB119	1-469-667-21	FERRITE, EMI (SMD)		S	IC405	6-700-780-01	IC	NJM2790V(TE2) (-71)
O	C736	1-104-847-11	TANTAL. CHIP	22uF 20% 4V	O	C771	1-162-970-11	CERAMIC CHIP	0.01uF 10% 25V (-71)	O	FB120	1-414-760-21	FERRITE, EMI (SMD)		S	IC405	8-759-598-10	IC	NJM2174V(TE2) (-11/-21/-31/-41/-51/-61)
O	C737	1-104-847-11	TANTAL. CHIP	22uF 20% 4V	O	C772	1-162-970-11	CERAMIC CHIP	0.01uF 10% 25V (-71)	O	FB121	1-414-760-21	FERRITE, EMI (SMD)		S	IC502	8-752-086-02	IC	CXA2106R-T4
O	C738	1-104-752-11	TANTAL. CHIP	33uF 20% 6.3V (-11/-21/-31/-41/-51/-61)	O	C773	1-162-970-11	CERAMIC CHIP	0.01uF 10% 25V (-11/-21/-31/-41/-51/-61)	O	FB122	1-414-760-21	FERRITE, EMI (SMD)		S	IC601	8-759-391-69	IC	MC78M05CDTRK
O	C738	1-165-877-91	TANTAL. CHIP	33uF 20% 6.3V (-71)	O	C774	1-162-970-11	CERAMIC CHIP	0.01uF 10% 25V (-11/-21/-31/-41/-51/-61)	O	FB123	1-469-667-21	FERRITE, EMI (SMD)		S	IC602	8-759-598-12	IC	LP2985IM5X-3.5 (-11/-21/-31/-41/-51/-61)
O	C739	1-162-964-11	CERAMIC CHIP	0.001uF 10% 50V	O	C775	1-164-156-11	CERAMIC CHIP	0.1uF 25V (-11/-21/-31/-41/-51/-61)	O	FB124	1-216-864-11	METAL CHIP	0 5% 1/16W	S	IC603	8-759-691-04	IC	BA00AST (-11)
O	C740	1-115-467-11	CERAMIC CHIP	0.22uF 10% 10V (-11/-21/-31/-41/-51/-61)	O	C776	1-115-566-11	CERAMIC CHIP	4.7uF 10% 10V	O	FB401	1-500-113-22	BEAD, FERRITE (CHIP)	(-11/-21/-31/-41/-51/-61)	S	IC604	8-759-643-48	IC	BA00A5FP-E2 (-11)
O	C740	1-162-970-11	CERAMIC CHIP	0.01uF 10% 25V (-71)				< TERMINAL BOARD >	O	FB402	1-500-113-22	BEAD, FERRITE (CHIP)	(-11/-21/-31/-41/-51/-61)	S	IC606	8-759-346-78	IC	TL594CD-R2 (-21)	
O	C741	1-115-467-11	CERAMIC CHIP	0.22uF 10% 10V (-11/-21/-31/-41/-51/-61)	O	CN101	1-694-748-11	TERMINAL BOARD (FRONT)		O	FB501	1-550-907-21	BEAD, FERRITE (CHIP)		S	IC607	8-759-680-31	IC	TL594CPWR (-31/-41/-51/-61/-71)
O	C741	1-162-970-11	CERAMIC CHIP	0.01uF 10% 25V (-71)	O	CN102	1-694-748-11	TERMINAL BOARD (FRONT)		O	FB502	1-500-113-22	BEAD, FERRITE (CHIP)	(-11/-21/-31/-41/-51/-61)	S	IC608	8-759-837-19	IC	MM1562FFBE (-71)
O	C742	1-107-826-11	CERAMIC CHIP	0.1uF 10% 16V				< CONNECTOR >	O	FB503	1-500-113-22	BEAD, FERRITE (CHIP)	(-11/-21/-31/-41/-51/-61)	S	IC722	8-759-677-90	IC	BA5947FP-E2	
O	C743	1-164-156-11	CERAMIC CHIP	0.1uF 25V	O	CN502	1-779-029-71	CONNECTOR, SQUARE TYPE 12P (AV MULTI OUT)		O	FB601	1-414-813-11	FERRITE, EMI (SMD)		S	IC723	8-752-087-83	IC	CXA2575N-T4
O	C744	1-162-970-11	CERAMIC CHIP	0.01uF 10% 25V				< DIODE >	O	FB602	1-469-324-21	FERRITE, EMI (SMD)	(-11/-21/-31/-41/-51/-61)	S	IC732	8-752-395-18	IC	CXD2938Q (-11/-21/-31/-41/-51/-61)	
O	C745	1-164-156-11	CERAMIC CHIP	0.1uF 25V	O	CN701	1-573-290-21	PIN, CONNECTOR (1.5mm) (SMD) 4P		O	FB701	1-469-324-21	FERRITE, EMI (SMD)	(-11/-21/-31/-41/-51/-61)	S	IC732	8-752-415-88	IC	CXD2941R (-71)
O	C747	1-164-156-11	CERAMIC CHIP	0.1uF 25V	O	CN702	1-779-071-21	CONNECTOR, FFC/FPC 16P		O	FB702	1-469-324-21	FERRITE, EMI (SMD)	(-11/-21/-31/-41/-51/-61)					< JACK >
O	C748	1-162-970-11	CERAMIC CHIP	0.01uF 10% 25V (-71)				< DIODE >	O	FB703	1-469-324-21	FERRITE, EMI (SMD)	(-11/-21/-31/-41/-51/-61)	OΔ	J001	1-695-565-11	JACK, DC (POLARITY UNIFIED TYPE)	(DC IN 7.5V)	
O	C749	1-164-156-11	CERAMIC CHIP	0.1uF 25V	O	D002	8-719-976-99	DIODE DTZ5.1B		O	FB704	1-469-324-21	FERRITE, EMI (SMD)	(-11/-21/-31/-41/-51/-61)					< COIL >
O	C752	1-162-970-11	CERAMIC CHIP	0.01uF 10% 25V (-71)	O	D003	8-719-059-94	LED SML-010MT-T86 (I/I)		O	FB710	1-216-864-11	METAL CHIP	0 5% 1/16W (-11/-21/-31/-41/-51/-61)	O	L104	1-412-052-21	INDUCTOR	1uH
O	C753	1-162-970-11	CERAMIC CHIP	0.01uF 10% 25V (-71)	O	D004	8-719-158-49	DIODE RD12S-B2 (-11/-21/-31/-41/-51/-61)							O	L105	1-412-052-21	INDUCTOR	1uH (-71)
O	C754	1-125-837-91	CERAMIC CHIP	1uF 10% 6.3V (-71)	O	D101	8-719-066-17	DIODE FTZ6.8E-T148							O	L106	1-412-052-21	INDUCTOR	1uH (-11/-21/-31/-41/-51/-61)
O	C755	1-125-837-91	CERAMIC CHIP	1uF 10% 6.3V (-71)	O	D103	8-719-067-59	DIODE MAZ9120D0LS0-TX/L		S	IC002	8-759-197-94	IC	M51957BFP-600D (-11/-21)	O	L203	1-469-667-21	FERRITE, EMI (SMD)	
O	C756	1-162-970-11	CERAMIC CHIP	0.01uF 10% 25V (-71)	O	D104	8-719-065-68	DIODE MAZF04700LS0		S	IC003	8-759-824-75	IC	RN5VD13AA-TL (-31/-41/-51/-61/-71)	O	L304	1-412-951-11	INDUCTOR	10uH (-11/-21/-31/-41/-51/-61)
O	C757	1-162-970-11	CERAMIC CHIP	0.01uF 10% 25V (-71)	O	D503	8-719-067-59	DIODE MAZ9120D0LS0-TX/L (-11/-21/-31/-41/-51/-61)		S	IC102	6-800-362-01	IC	MSM534031E-45GS-KPR2 (100)	O	L401	1-412-951-11	INDUCTOR	10uH (-11/-21/-31/-41/-51/-61)
O	C758	1-162-970-11	CERAMIC CHIP	0.01uF 10% 25V (-71)	O	D510	8-719-067-59	DIODE MAZ9120D0LS0-TX/L (-11/-21/-31/-41/-51/-61)		S	IC102	6-800-363-01	IC	MSM534031E-46GS-KPR2 (101/103)	O	L601	1-412-052-21	INDUCTOR	1uH
O	C759	1-162-970-11	CERAMIC CHIP	0.01uF 10% 25V (-71)	O	D511	8-719-158-49	DIODE RD12S-B2 (-11/-21/-31/-41/-51/-61)		S	IC103	8-759-387-16	IC	CXD8606Q	O	L602	1-412-052-21	INDUCTOR	1uH (-21/-31/-41/-51/-61/-71)
					O	D601	8-719-060-81	DIODE MA735-TX (-21/-31/-41/-51/-61/-71)		S	IC106	8-759-377-18	IC	TC51V18325BJ-60S(YE)	O	L603	1-424-674-11	INDUCTOR	22uH (-21/-31/-41/-51/-61/-71)
										S	IC201	8-759-369-81	IC	KM4132G271Q-12 (-11/-21/-31)	O	L604	1-412-052-21	INDUCTOR	1uH (-11/-21/-31/-41/-51/-61)
										S	IC201	8-759-684-14	IC	K4G163222A-PC70 (-41/-51)					
										S	IC203	8-759-366-69	IC	CXD8561Q (-11/-21/-31/-41/-51)					
										S	IC203	8-759-656-47	IC	CXD9500Q (-61/-71)					

The components identified by mark Δ or dotted line with mark. Δ are critical for safety. Replace only with part number specified.

Les composants identifiés par une marque Δ sont critiques pour la sécurité. Ne les remplacer que par une pièce portant le numéro spécifié.

SC	Ref. No.	Part No.	Description	Remark	SC	Ref. No.	Part No.	Description	Remark
0	R792	1-218-727-11	RES-CHIP 30K 5%	1/16W (-71)				ACCESSORIES *****	
0	R793	1-216-845-11	METAL CHIP 100K 5%	1/16W				<SCPH-100>	
0	R795	1-216-833-11	METAL CHIP 10K 5%	1/16W	0	AC	1-476-267-16	ADAPTOR, AC (SCPH-112)	
0	R901	1-216-295-91	SHORT 0	(101)	0	AV	1-792-028-11	CORD, CONNECTION (A/V CABLE)	
0	R902	1-216-295-91	SHORT 0	(102)	0	CONT	1-757-144-33	CORD, CONNECTION (ANALOG CONTROLLER)	
0	R903	1-216-295-91	SHORT 0	(103)	0	MANUAL	3-068-146-02	MANUAL, INSTRUCTION (JAPANESE)	
			< NETWORK RESISTOR >					<SCPH-101>	
0	RB120	1-234-030-11	RES, NETWORK (CHIP TYPE) 22X4		0	AC	1-476-409-21	ADAPTOR, AC (SCPH-113)	
0	RB121	1-234-030-11	RES, NETWORK (CHIP TYPE) 22X4		0	AV	1-792-028-11	CORD, CONNECTION (A/V CABLE)	
0	RB122	1-234-030-11	RES, NETWORK (CHIP TYPE) 22X4		0	CONT	1-757-144-33	CORD, CONNECTION (ANALOG CONTROLLER)	
0	RB123	1-233-955-11	RES, NETWORK (CHIP TYPE) 100X4		0	MANUAL	3-065-224-12	MANUAL, INSTRUCTION (ENGLISH,FRENCH, SPANISH)	
0	RB124	1-233-967-11	RES, NETWORK (CHIP TYPE) 10KX4					<SCPH-102>	
0	RB125	1-234-030-11	RES, NETWORK (CHIP TYPE) 22X4		0	AC	1-476-410-12	ADAPTOR, AC (SCPH-114) (102C)	
0	RB126	1-233-959-21	RES, NETWORK (CHIP TYPE) 470X4		0	AC	1-476-411-11	ADAPTOR, AC (SCPH-115) (102B)	
0	RB201	1-234-030-11	RES, NETWORK (CHIP TYPE) 22X4	(-11/-21/-31/-41/-51)	0	AC	1-476-412-11	ADAPTOR, AC (SCPH-116) (102A)	
0	RB202	1-234-030-11	RES, NETWORK (CHIP TYPE) 22X4	(-11/-21/-31/-41/-51)	0	AV	1-792-028-11	CORD, CONNECTION (A/V CABLE)	
0	RB203	1-234-467-21	RES, NETWORK (CHIP TYPE) 82X4 (-41/-51)		0	CONT	1-757-144-33	CORD, CONNECTION (ANALOG CONTROLLER)	
0	RB204	1-234-467-21	RES, NETWORK (CHIP TYPE) 82X4 (-41/-51)		0	CONV	1-573-291-11	CONNECTOR, CONVERSION (102C)	
0	RB205	1-234-467-21	RES, NETWORK (CHIP TYPE) 82X4 (-41/-51)		0	MANUAL	3-066-615-11	MANUAL, INSTRUCTION (ENGLISH) (102A)	
0	RB206	1-234-467-21	RES, NETWORK (CHIP TYPE) 82X4 (-41/-51)		0	MANUAL	3-066-615-21	MANUAL, INSTRUCTION (ENGLISH) (102B)	
0	RB207	1-234-467-21	RES, NETWORK (CHIP TYPE) 82X4 (-41/-51)		0	MANUAL	3-066-615-31	MANUAL, INSTRUCTION (FRENCH,SPANISH, GERMAN,ITALIAN,DUTCH,PORTUGUESE) (102C)	
0	RB208	1-234-467-21	RES, NETWORK (CHIP TYPE) 82X4 (-41/-51)		0	MANUAL	3-066-615-53	MANUAL, INSTRUCTION (ENGLISH,RUSSIAN, ARABIC) (102D)	
0	RB209	1-234-467-21	RES, NETWORK (CHIP TYPE) 82X4 (-41/-51)		0	RF	1-476-040-31	ADAPTOR, RF (102B)	
0	RB210	1-234-467-21	RES, NETWORK (CHIP TYPE) 82X4 (-41/-51)					<SCPH-103>	
0	RB501	1-234-482-21	RES, NETWORK (CHIP TYPE) 75X4		0	AC	1-476-410-12	ADAPTOR, AC (SCPH-114)	
0	RB502	1-234-482-21	RES, NETWORK (CHIP TYPE) 75X4		0	AC	1-476-411-11	ADAPTOR, AC (SCPH-115)	
			< SWITCH >		0	AC	1-476-587-11	ADAPTOR, AC (SCPH-117)	
0	S001	1-762-745-22	SWITCH, PUSH (I/⏻/RESET)		0	AC	1-477-217-11	ADAPTOR, AC (SCPH-123D) (103D)	
0	S301	1-771-764-11	SWITCH, PUSH (1 KEY) (CD DOOR OPEN/CLOSE DET)		0	AV	1-792-028-11	CORD, CONNECTION (A/V CABLE)	
			< VIBRATOR >		0	CONT	1-757-144-33	CORD, CONNECTION (ANALOG CONTROLLER)	
S	X201	1-767-783-21	VIBRATOR, CRYSTAL (14.318182MHz) (NTSC)		0	MANUAL	3-066-615-42	MANUAL, INSTRUCTION (ENGLISH, TRADITIONAL CHINESE,HUNGARIAN)	
S	X201	1-767-940-22	VIBRATOR, CRYSTAL (17.73447MHz) (PAL)						

The components identified by mark Δ or dotted line with mark. Δ are critical for safety. Replace only with part number specified.	Les composants identifiés par une marque Δ sont critiques pour la sécurité. Ne les remplacer que par une pièce portant le numéro spécifié.
---	---